



Service Manual

GREE ELECTRIC APPLIANCES, INC. OF ZHUHAI



Table of Contents

Part I : Technical Information	1
1. Summary	1
2. Specifications	3
2.1 Specification Sheet.....	3
2.2 Capacity Variation Ratio According to Temperature	13
2.3 Cooling and Heating Data Sheet in Rated Frequency.....	13
2.4 Noise Curve	14
3. Outline Dimension Diagram	15
3.1 Indoor Unit.....	15
3.2 Outdoor Unit.....	16
4. Refrigerant System Diagram	18
5. Electrical Part	19
5.1 Wiring Diagram	19
5.2 PCB Printed Diagram.....	24
6. Function and Control	31
6.1 Remote Controller Introduction	31
6.2 GREE+ App Operation Manual	36
6.3 Ewpe Smart App Operation Manual.....	37
6.4 Brief Description of Modes and Functions	38
Part II : Installation and Maintenance	42
7. Notes for Installation and Maintenance	42
8. Installation	46
8.1 Installation Dimension Diagram.....	46
8.2 Installation Parts-checking	48
8.3 Selection of Installation Location.....	48
8.4 Requirements for electric connection	48
8.5 Installation of Indoor Unit.....	48

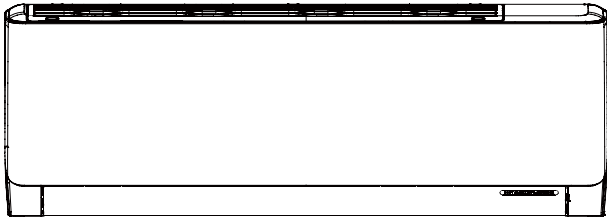
8.6 Installation of Outdoor Unit.....	51
8.7 Vacuum Pumping and Leak Detection.....	52
8.8 Check after Installation and Test Operation	52
9. Maintenance	53
9.1 Error Code List.....	53
9.2 Procedure of Troubleshooting	60
9.3 Troubleshooting for Normal Malfunction	73
10. Exploded View and Parts List	75
10.1 Indoor Unit.....	75
10.2 Outdoor Unit	83
11. Removal Procedure	92
11.1 Removal Procedure of Indoor Unit.....	92
11.2 Removal Procedure of Outdoor Unit.....	97
Appendix:	116
Appendix 1: Reference Sheet of Celsius and Fahrenheit.....	116
Appendix 2: Configuration of Connection Pipe	116
Appendix 3: Pipe Expanding Method.....	117
Appendix 4: List of Resistance for Temperature Sensor.....	118

Part I : Technical Information

1. Summary

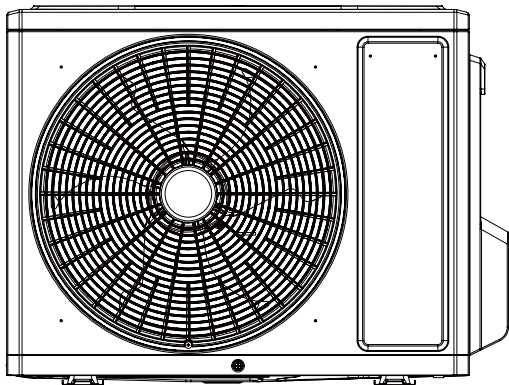
Indoor Unit

A1 Panel

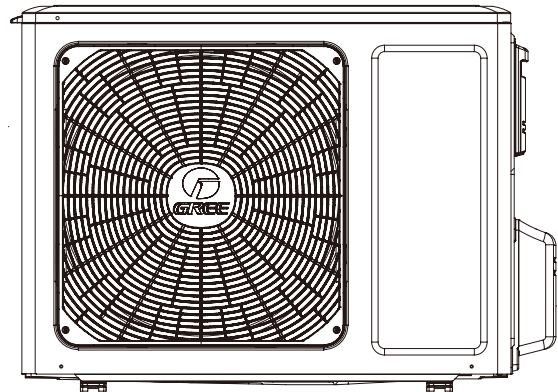


Outdoor Unit

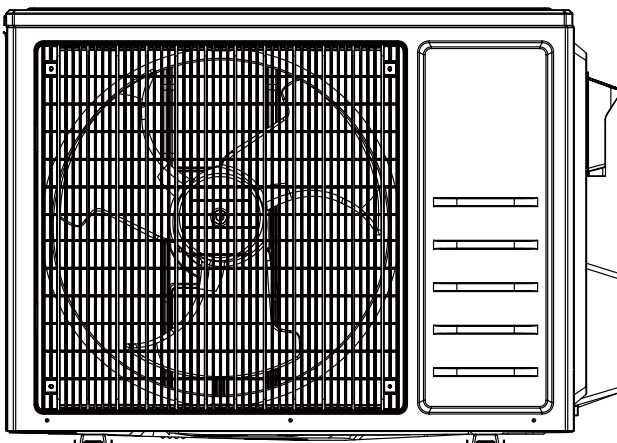
GWH09AGA-K6DNA1A/O GWH12AGB-K6DNA1A/O
GWH09AGB-K6DNA1B/O GWH12AGC-K6DNA1A/O
GWH18AGD-K6DNA1D/O



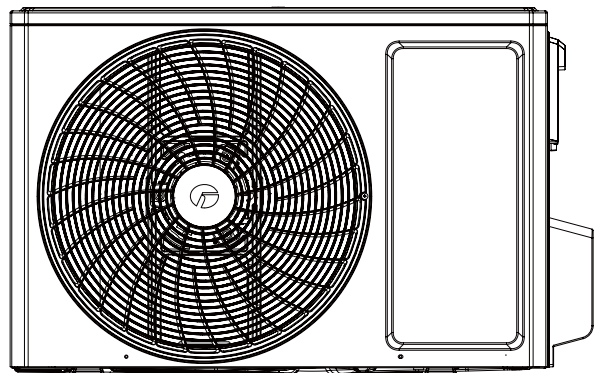
GWH18AGD-K6DNA1A/O



GWH24AGD-K6DNA1A/O

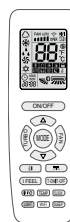


GWH24AGD-K6DNA1C/O



Remote Controller

YAP1F7(WiFi)



Model list:

No.	Model	Product Code	Indoor Unit Model	Indoor Unit Product Code	Outdoor Unit Model	Outdoor Unit Product Code	Remote Controller
1	GWH09AGA-K6DNA1A	CB385001000	GWH09AGA-K6DNA1A/I	CB385N01000	GWH09AGA-K6DNA1A/O	CB385W01000	YAP1F7 (WiFi)
2		CB385001002		CB385N01002			
3	GWH09AGB-K6DNA1B	CB385002300	GWH09AGB-K6DNA1B/I	CB385N02300	GWH09AGB-K6DNA1B/O	CB385W02300	
4	GWH12AGC-K6DNA1A	CB385002400	GWH12AGC-K6DNA1A/I	CB385N02400	GWH12AGC-K6DNA1A/O	CB385W02400	
5	GWH12AGB-K6DNA1A	CB385001700	GWH12AGB-K6DNA1A/I	CB385N01700	GWH12AGB-K6DNA1A/O	CB385W01700	
6		CB385001702		CB385N01702			
7	GWH18AGD-K6DNA1A	CB385001900	GWH18AGD-K6DNA1A/I	CB385N01900	GWH18AGD-K6DNA1A/O	CB385W01900	
8	GWH18AGD-K6DNA1D	CB385008300	GWH18AGD-K6DNA1D/I	CB385N08300	GWH18AGD-K6DNA1D/O	CB385W08300	
9		CB385008301		CB385N08301			
10		CB385008302		CB385N08302			
11	GWH24AGD-K6DNA1A	CB385001500	GWH24AGD-K6DNA1A/I	CB385N01500	GWH24AGD-K6DNA1A/O	CB385W01500	
12	GWH24AGD-K6DNA1C	CB385008601	GWH24AGD-K6DNA1C/I	CB385N08601	GWH24AGD-K6DNA1C/O	CB385W08600	
13		CB385008602		CB385N08602			
14		CB385008600		CB385N08600			

2. Specifications

2.1 Specification Sheet

Model			GWH09AGA-K6DNA1A	GWH12AGB-K6DNA1A
Product Code			CB385001000/CB385001002	CB385001700/CB385001702
Power Supply	Rated Voltage	V~	220-240	220-240
	Rated Frequency	Hz	50	50
	Phases		1	1
Power Supply Mode			Outdoor	Outdoor
Cooling Capacity		W	2500	3200
Heating Capacity		W	2800	3400
Cooling Power Input		W	720	991
Heating Power Input		W	750	916
Cooling Power Current		A	3.2	4.4
Heating Power Current		A	3.2	4
Rated Input		W	1500	1500
Rated Current		A	6	6
Rated Heating Current		A	7.5	7.5
Air Flow Volume(SS/H/MH/M/ML/L/SL)		m ³ /h	500/470/430/390/320/270/250	590/520/480/400/350/320/280
Dehumidifying Volume		L/h	0.6	1.4
EER		W/W	3.47	3.23
COP		W/W	3.73	3.71
SEER		W/W	6.5	6.1
SCOP(Average/Warmer/Colder)			4/5.1/-	4/5.1/-
HSPF			/	/
Application Area		m ²	10-16	15-22
Indoor Unit	Indoor Unit Model		GWH09AGA-K6DNA1A/I	GWH12AGB-K6DNA1A/I
	Indoor Unit Product Code		CB385N01000/CB385N01002	CB385N01700/CB385N01702
	Fan Type		Cross-flow	Cross-flow
	Diameter Length(DXL)	mm	Φ93X505	Φ93X633.5
	Fan Motor Cooling Speed(SS/H/MH/M/ML/L/SL)	r/min	1300/1200/1120/1050/920/800/750	1350/1200/1120/1050/950/850/750
	Fan Motor Heating Speed(SS/H/MH/M/ML/L/SL)	r/min	1300/1200/1120/1050/950/850/800	1350/1200/1120/1050/990/920/850
	Output of Fan Motor	W	20	20
	Fan Motor RLA	A	0.22	0.22
	Fan Motor Capacitor	μF	1	1
	Input of Heater	W	/	/
	Evaporator Form		Aluminum Fin-copper Tube	Aluminum Fin-copper Tube
	Pipe Diameter	mm	Φ5	Φ5
	Row-fin Gap	mm	2-1.4	2-1.4
	Coil Length (LXD _X W)	mm	509X22.8X266.7	584X22.8X266.7
	Swing Motor Model		MP24AK/MP24BA/MP24HF	MP24AK/MP24BA/MP24HF
	Output of Swing Motor	W	1.5/1.5/1.5	1.5/1.5/1.5
	Fuse	A	3.15	3.15
	Sound Pressure Level(SS/H/MH/M/ML/L/SL)	dB (A)	Cooling:38/36/34/32/28/25/24 Heating:37/36/34/33/30/26/25	Cooling:41/37/35/33/30/26/24 Heating:41/37/35/33/31/28/25
	Sound Power Level(SS/H/MH/M/ML/L/SL)	dB (A)	Cooling:55/48/46/44/40/37/36 Heating:49/48/46/45/42/38/37	Cooling:56/49/47/45/42/38/36 Heating:53/49/47/45/43/40/37
	Dimension (WXH _X D)	mm	704X260X185	779X260X185
	Dimension of Carton Box (LXWXH)	mm	748X316X247	823X316X247
	Dimension of Package (LXWXH)	mm	753X332X258	828X332X258
Net Weight	kg	7.5	8	
Gross Weight	kg	9	9.5	

Outdoor Unit	Model of Outdoor Unit		GWH09AGA-K6DNA1A/O	GWH12AGB-K6DNA1A/O
	Product Code of Outdoor Unit		CB385W01000	CB385W01700
	Compressor Manufacturer/Trademark		ZHUHAI LANDA COMPRESSOR CO.,LTD	ZHUHAI LANDA COMPRESSOR CO., LTD
	Compressor Model		FTz-AN075ACBF-A	FTz-AN088ACBF-A
	Compressor Oil		FW68DA	FW68DA
	Compressor Type		Rotary	Rotary
	L.R.A.	A	20.00	/
	Compressor RLA	A	3.00	3.60
	Compressor Power Input	W	633	758
	Overload Protector		/	/
	Throttling Method		Capillary	Capillary
	Operation Temp	°C	16~30	16~30
	Ambient Temp (Cooling)	°C	-15~43	18~43
	Ambient Temp (Heating)	°C	-15~24	-15~24
	Condenser Form		Aluminum Fin-copper Tube	Aluminum Fin-copper Tube
	Pipe Diameter	mm	Φ7	Φ7
	Rows-fin Gap	mm	1-1.4	1-1.4
	Coil Length (LXDXW)	mm	700X19.05X528	700X19.05X528
	Fan Motor Speed	rpm	900	900
	Output of Fan Motor	W	30	30
	Fan Motor RLA	A	0.40	0.40
	Fan Motor Capacitor	μF	/	/
	Air Flow Volume of Outdoor Unit	m ³ /h	2200	2200
	Fan Type		Axial-flow	Axial-flow
	Fan Diameter	mm	Φ400	Φ400
	Defrosting Method		Automatic Defrosting	Automatic Defrosting
	Climate Type		T1	T1
	Isolation		I	I
	Moisture Protection		IPX4	IPX4
	Permissible Excessive Operating Pressure for the Discharge Side	MPa	4.3	4.3
	Permissible Excessive Operating Pressure for the Suction Side	MPa	2.5	2.5
Sound Pressure Level (H/M/L)	dB (A)	51/-/-	51/-/-	
Sound Power Level (H/M/L)	dB (A)	62/-/-	64/-/-	
Dimension (WXHXD)	mm	732X550X330	732X550X330	
Dimension of Carton Box (LXWXH)	mm	789X390X600	789X390X600	
Dimension of Package (LXWXH)	mm	792X393X615	792X393X615	
Net Weight	kg	25	25	
Gross Weight	kg	27.5	27.5	
Refrigerant		R32	R32	
Refrigerant Charge	kg	0.5	0.55	
Connection Pipe	Length	m	5	5
	Gas Additional Charge	g/m	16	16
	Outer Diameter Liquid Pipe	inch	1/4	1/4
	Outer Diameter Gas Pipe	inch	3/8	3/8
	Max Distance Height	m	10	10
	Max Distance Length	m	15	15
Note: The connection pipe applies metric diameter.				

The above data is subject to change without notice; please refer to the nameplate of the unit.

Model			GWH18AGD-K6DNA1A	GWH09AGB-K6DNA1B	
Product Code			CB385001900	CB385002300	
Power Supply	Rated Voltage	V~	220-240	220-240	
	Rated Frequency	Hz	50	50	
	Phases		1	1	
Power Supply Mode			Outdoor	Outdoor	
Cooling Capacity		W	4600	2700	
Heating Capacity		W	5200	2800	
Cooling Power Input		W	1355	735	
Heating Power Input		W	1340	695	
Cooling Power Current		A	6	3.51	
Heating Power Current		A	5.8	3.32	
Rated Input		W	1800	1500	
Rated Current		A	9	6	
Rated Heating Current		A	9	7.5	
Air Flow Volume(SS/H/MH/M/ML/L/SL)		m ³ /h	910/850/780/740/700/650/610	550/520/480/400/340/310/280	
Dehumidifying Volume		L/h	1.4	1.4	
EER		W/W	3.39	3.67	
COP		W/W	3.88	4.03	
SEER		W/W	6.6	6.6	
SCOP(Average/Warmer/Colder)			4/5.1/-	4.2/5.2/-	
HSPF			/	/	
Application Area		m ²	23-34	10-16	
Indoor Unit	Indoor Unit Model		GWH18AGD-K6DNA1A/I	GWH09AGB-K6DNA1B/I	
	Indoor Unit Product Code		CB385N01900	CB385N02300	
	Fan Type		Cross-flow	Cross-flow	
	Diameter Length(DXL)		mm	Φ106X739	Φ93X580
	Fan Motor Cooling Speed(SS/H/MH/M/ML/L/SL)		r/min	1230/1050/980/900/850/800/750	1300/1200/1120/1050/920/800/750
	Fan Motor Heating Speed(SS/H/MH/M/ML/L/SL)		r/min	1200/1050/980/900/850/800/750	1300/1200/1120/1050/950/850/800
	Output of Fan Motor		W	35	20
	Fan Motor RLA		A	0.45	0.22
	Fan Motor Capacitor		μF	2.5	1
	Input of Heater		W	/	/
	Evaporator Form			Aluminum Fin-copper Tube	Aluminum Fin-copper Tube
	Pipe Diameter		mm	Φ5	Φ5
	Row-fin Gap		mm	2-1.3	2-1.4
	Coil Length (LXDXW)		mm	745X22.8X342.9	584X22.8X266.7
	Swing Motor Model			MP24BA/MP24AK/MP24HF	MP24BA/MP24AK/MP24HF
	Output of Swing Motor		W	1.5/1.5 /1.5	1.5/1.5/1.5
	Fuse		A	3.15	3.15
	Sound Pressure Level(SS/H/MH/M/ML/L/SL)		dB (A)	Cooling:42/38/35/33/31/29/28 Heating:43/40/37/34/32/30/29	Cooling:40/37/35/33/29/26/21 Heating:39/36/34/32/29/25/24
	Sound Power Level(SS/H/MH/M/ML/L/SL)		dB (A)	Cooling:58/51/49/46/43/41/38 Heating:55/52/49/46/44/42/41	Cooling:55/49/47/45/41/37/34 Heating:53/48/46/44/41/38/35
	Dimension (WXHXD)		mm	982X311X221	779X260X185
	Dimension of Carton Box (LXWXH)		mm	1039X377X287	823X316X247
	Dimension of Package (LXWXH)		mm	1044X385X297	828X332X258
	Net Weight		kg	13.5	8
	Gross Weight		kg	16.5	9.5

Outdoor Unit	Model of Outdoor Unit		GWH18AGD-K6DNA1A/O	GWH09AGB-K6DNA1B/O
	Product Code of Outdoor Unit		CB385W01900	CB385W02300
	Compressor Manufacturer/Trademark		ZHUHAI LANDA COMPRESSOR CO., LTD	ZHUHAI LANDA COMPRESSOR CO.,LTD
	Compressor Model		QXF-A120ZH190A	FTz-AN075ACBF-A
	Compressor Oil		RB68EP	FW68DA
	Compressor Type		Rotary	Rotary
	L.R.A.	A	18.00	20.00
	Compressor RLA	A	5.00	3.00
	Compressor Power Input	W	1096	633
	Overload Protector		1NT11L-6233 or HPC115/95U1 or KSD115°C	/
	Throttling Method		Capillary	Capillary
	Operation Temp	°C	16~30	16~30
	Ambient Temp (Cooling)	°C	18~43	18~43
	Ambient Temp (Heating)	°C	-15~24	-15~24
	Condenser Form		Aluminum Fin-copper Tube	Aluminum Fin-copper Tube
	Pipe Diameter	mm	Φ7	Φ7
	Rows-fin Gap	mm	2-1.4	1-1.4
	Coil Length (LXD _X W)	mm	742X38.1X550	700X19.05X528
	Fan Motor Speed	rpm	900	900
	Output of Fan Motor	W	30	30
	Fan Motor RLA	A	0.40	0.40
	Fan Motor Capacitor	μF	/	/
	Air Flow Volume of Outdoor Unit	m ³ /h	2200	1950
	Fan Type		Axial-flow	Axial-flow
	Fan Diameter	mm	Φ438	Φ400
	Defrosting Method		Automatic Defrosting	Automatic Defrosting
	Climate Type		T1	T1
	Isolation		I	I
	Moisture Protection		IPX4	IPX4
	Permissible Excessive Operating Pressure for the Discharge Side	MPa	4.3	4.3
	Permissible Excessive Operating Pressure for the Suction Side	MPa	2.5	2.5
	Sound Pressure Level (H/M/L)	dB (A)	52/-/-	51/-/-
Sound Power Level (H/M/L)	dB (A)	64/-/-	62/-/-	
Dimension (WXHXD)	mm	848X596X320	732X550X330	
Dimension of Carton Box (LXWXH)	mm	878X360X630	789X390X600	
Dimension of Package (LXWXH)	mm	881X363X645	792X393X615	
Net Weight	kg	33	25	
Gross Weight	kg	36	27.5	
Refrigerant		R32	R32	
Refrigerant Charge	kg	0.75	0.53	
Connection Pipe	Length	m	5	5
	Gas Additional Charge	g/m	16	16
	Outer Diameter Liquid Pipe	inch	1/4	1/4
	Outer Diameter Gas Pipe	inch	3/8	3/8
	Max Distance Height	m	10	10
	Max Distance Length	m	25	15
Note: The connection pipe applies metric diameter.				

The above data is subject to change without notice; please refer to the nameplate of the unit.

Model		GWH12AGC-K6DNA1A	GWH24AGD-K6DNA1A
Product Code		CB385002400	CB385001500
Power Supply	Rated Voltage	V~	220-240
	Rated Frequency	Hz	50
	Phases		1
Power Supply Mode		Outdoor	Outdoor
Cooling Capacity	W	3200	6200
Heating Capacity	W	3400	6500
Cooling Power Input	W	933	1631
Heating Power Input	W	872	1645
Cooling Power Current	A	4.15	7.5
Heating Power Current	A	3.86	7.6
Rated Input	W	1500	2200
Rated Current	A	6	9.3
Rated Heating Current	A	7.5	9.7
Air Flow Volume(SS/H/MH/M/ML/L/SL)	m ³ /h	680/620/560/490/450/420/390	1050/950/800/750/700/650/600
Dehumidifying Volume	L/h	1.4	1.8
EER	W/W	3.43	3.80
COP	W/W	3.90	3.95
SEER	W/W	6.5	/
SCOP(Average/Warmer/Colder)		4.1/5.1/-	4.3/5.3/-
HSPF		/	/
Application Area	m ²	15-22	23-34
Indoor Unit	Indoor Unit Model		GWH12AGC-K6DNA1A/I
	Indoor Unit Product Code		CB385N02400
	Fan Type		Cross-flow
	Diameter Length(DXL)	mm	Φ98X630
	Fan Motor Cooling Speed(SS/H/MH/M/ML/L/SL)	r/min	1300/1150/1100/1000/950/850/750
	Fan Motor Heating Speed(SS/H/MH/M/ML/L/SL)	r/min	1250/1100/1050/1000/950/850/800
	Output of Fan Motor	W	20
	Fan Motor RLA	A	0.30
	Fan Motor Capacitor	μF	1.5
	Input of Heater	W	/
	Evaporator Form		Aluminum Fin-copper Tube
	Pipe Diameter	mm	Φ5
	Row-fin Gap	mm	2-1.4
	Coil Length (LXDXW)	mm	634X22.8X304.8
	Swing Motor Model		MP24BA/MP24AK/MP24HF
	Output of Swing Motor	W	1.5/1.5/1.5
	Fuse	A	3.15
	Sound Pressure Level(SS/H/MH/M/ML/L/SL)	dB (A)	Cooling:41/37/35/33/31/27/22 Heating:41/36/34/32/30/27/25
	Sound Power Level(SS/H/MH/M/ML/L/SL)	dB (A)	Cooling:57/50/48/46/43/39/36 Heating:55/49/47/45/43/40/37
	Dimension (WXHXD)	mm	825X293X196
	Dimension of Carton Box (LXWXH)	mm	870X349X257
	Dimension of Package (LXWXH)	mm	875X365X268
Net Weight	kg	10	
Gross Weight	kg	12	

Outdoor Unit	Model of Outdoor Unit		GWH12AGC-K6DNA1A/O	GWH24AGD-K6DNA1A/O
	Product Code of Outdoor Unit		CB385W02400	CB385W01500
	Compressor Manufacturer/Trademark		ZHUHAI LANDA COMPRESSOR CO., LTD	ZHUHAI LANDA COMPRESSOR CO., LTD
	Compressor Model		FTz-AN088ACBF-A	GTD141UKRF8JT6G
	Compressor Oil		FW68DA	ACS-68R
	Compressor Type		Rotary	Rotary
	L.R.A.	A	/	20.00
	Compressor RLA	A	3.60	3.65
	Compressor Power Input	W	758	1150
	Overload Protector		/	KSD1-115/95 HPC-115/95-UI
	Throttling Method		Capillary	Capillary
	Operation Temp	°C	16~30	16~30
	Ambient Temp (Cooling)	°C	18~43	18~48
	Ambient Temp (Heating)	°C	-15~24	-15~24
	Condenser Form		Aluminum Fin-copper Tube	Aluminum Fin-copper Tube
	Pipe Diameter	mm	Φ7	Φ7
	Rows-fin Gap	mm	1-1.4	2-1.4
	Coil Length (LXD _X W)	mm	700X19.05X528	804X38.1X616
	Fan Motor Speed	rpm	900	800
	Output of Fan Motor	W	30	60
	Fan Motor RLA	A	0.40	0.49
	Fan Motor Capacitor	μF	/	/
	Air Flow Volume of Outdoor Unit	m ³ /h	1950	3000
	Fan Type		Axial-flow	Axial-flow
	Fan Diameter	mm	Φ400	Φ480
	Defrosting Method		Automatic Defrosting	Automatic Defrosting
	Climate Type		T1	T1
	Isolation		I	I
	Moisture Protection		IPX4	IPX4
	Permissible Excessive Operating Pressure for the Discharge Side	MPa	4.3	4.3
	Permissible Excessive Operating Pressure for the Suction Side	MPa	2.5	2.5
	Sound Pressure Level (H/M/L)	dB (A)	52/-/-	57/-/-
Sound Power Level (H/M/L)	dB (A)	64/-/-	65/-/-	
Dimension (WXHXD)	mm	732X550X330	912X646X373	
Dimension of Carton Box (LXWXH)	mm	789X390X600	960X408X680	
Dimension of Package (LXWXH)	mm	792X393X615	963X411X695	
Net Weight	kg	25	41	
Gross Weight	kg	27.5	44	
Refrigerant		R32	R32	
Refrigerant Charge	kg	0.57	1.15	
Connection Pipe	Length	m	5	5
	Gas Additional Charge	g/m	16	16
	Outer Diameter Liquid Pipe	inch	1/4	1/4
	Outer Diameter Gas Pipe	inch	3/8	1/2
	Max Distance Height	m	10	10
	Max Distance Length	m	15	25
	Note: The connection pipe applies metric diameter.			

The above data is subject to change without notice; please refer to the nameplate of the unit.

Outdoor Unit	Model of Outdoor Unit		GWH18AGD-K6DNA1D/O	
	Product Code of Outdoor Unit		CB385W08300	
	Compressor Manufacturer/Trademark		ZHUHAI LANDA COMPRESSOR CO., LTD	
	Compressor Model		FTz-AN108ACBD	
	Compressor Oil		FW68DA or equivalent	
	Compressor Type		Rotary	
	L.R.A.	A		19
	Compressor RLA	A		4.4
	Compressor Power Input	W		952
	Overload Protector			/
	Throttling Method			Capillary
	Operation Temp	°C		16~30
	Ambient Temp (Cooling)	°C		-15~43
	Ambient Temp (Heating)	°C		-15~24
	Condenser Form			Aluminum Fin-copper Tube
	Pipe Diameter	mm		Φ7
	Rows-fin Gap	mm		2-1.4
	Coil Length (LXD _X W)	mm		700X38.1X528
	Fan Motor Speed	rpm		900
	Output of Fan Motor	W		30
	Fan Motor RLA	A		0.40
	Fan Motor Capacitor	μF		/
	Air Flow Volume of Outdoor Unit	m ³ /h		1950
	Fan Type			Axial-flow
	Fan Diameter	mm		Φ400
	Defrosting Method			Automatic Defrosting
	Climate Type			T1
	Isolation			I
	Moisture Protection			IPX4
	Permissible Excessive Operating Pressure for the Discharge Side	MPa		4.3
	Permissible Excessive Operating Pressure for the Suction Side	MPa		2.5
	Sound Pressure Level (H/M/L)	dB (A)		55/-/-
Sound Power Level (H/M/L)	dB (A)		65/-/-	
Dimension (WXHXD)	mm		732X550X330	
Dimension of Carton Box (LXWXH)	mm		789X390X600	
Dimension of Package (LXWXH)	mm		792X393X615	
Net Weight	kg		26.5	
Gross Weight	kg		29	
Refrigerant			R32	
Refrigerant Charge	kg		0.75	
Connection Pipe	Length	m	5	
	Gas Additional Charge	g/m	16	
	Outer Diameter Liquid Pipe	inch	1/4	
	Outer Diameter Gas Pipe	inch	1/2	
	Max Distance Height	m	10	
	Max Distance Length	m	25	
	Note: The connection pipe applies metric diameter.			

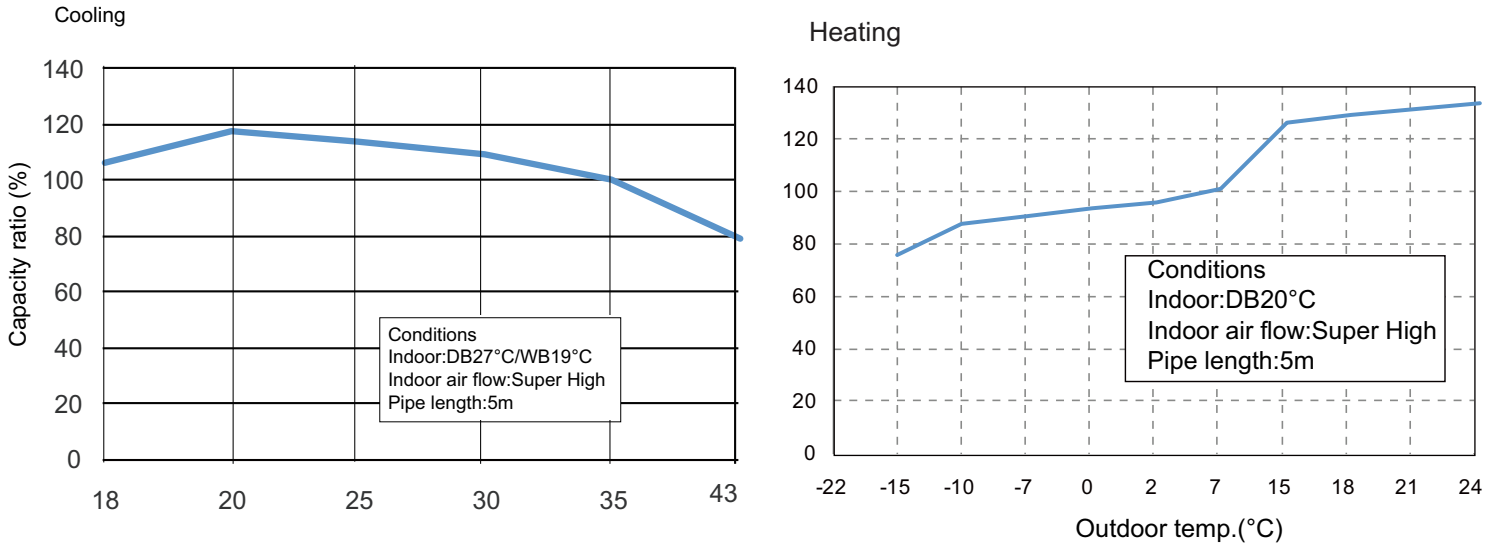
The above data is subject to change without notice; please refer to the nameplate of the unit.

Model		GWH24AGD-K6DNA1C	GWH24AGD-K6DNA1C
Product Code		CB385008600 CB385008601	CB385008602
Power Supply	Rated Voltage	V~	220-240
	Rated Frequency	Hz	50
	Phases		1
Power Supply Mode		Outdoor	Outdoor
Cooling Capacity	W	6200	6200
Heating Capacity	W	6500	6500
Cooling Power Input	W	1786	1786
Heating Power Input	W	1645	1645
Cooling Power Current	A	7.6	7.6
Heating Power Current	A	7.6	7.6
Rated Input	W	2200	2200
Rated Current	A	9.3	9.3
Rated Heating Current	A	9.7	9.7
Air Flow Volume(SS/H/MH/M/ML/L/SL)	m ³ /h	950/800/700/650/600/540/500	950/800/700/650/600/540/500
Dehumidifying Volume	L/h	2	2
EER	W/W	3.47	3.47
COP	W/W	3.95	3.95
SEER	W/W	6.8	6.8
SCOP(Average/Warmer/Colder)		4/5.1/-	4/5.1/-
HSPF		/	/
Application Area	m ²	23-34	23-34
Indoor Unit	Indoor Unit Model		GWH24AGD-K6DNA1C/I
	Indoor Unit Product Code		CB385N08600 CB385N08601
	Fan Type		Cross-flow
	Diameter Length(DXL)	mm	Φ106X739
	Fan Motor Cooling Speed(SS/H/MH/M/ML/L/SL)	r/min	1350/1200/1100/1000/900/850/800
	Fan Motor Heating Speed(SS/H/MH/M/ML/L/SL)	r/min	1350/1200/1100/1000/900/850/800
	Output of Fan Motor	W	50
	Fan Motor RLA	A	0.24
	Fan Motor Capacitor	μF	3
	Input of Heater	W	/
	Evaporator Form		Aluminum Fin-copper Tube
	Pipe Diameter	mm	Φ7
	Row-fin Gap	mm	2-1.4
	Coil Length (LXDXW)	mm	745X22.8X342.9
	Swing Motor Model		MP24BA/MP24AK/MP24HF
	Output of Swing Motor	W	1.5/1.5/1.5
	Fuse	A	3.15
	Sound Pressure Level(SS/H/MH/M/ML/L/SL)	dB (A)	Cooling:46/42/40/37/35/32/30 Heating:48/44/40/37/34/32/30
	Sound Power Level(SS/H/MH/M/ML/L/SL)	dB (A)	Cooling:63/59/57/54/53/49/47 Heating:63/59/55/52/49/47/45
	Dimension (WXHXD)	mm	982X311X221
	Dimension of Carton Box (LXWXH)	mm	1039X377X287
Dimension of Package (LXWXH)	mm	1044X385X297	
Net Weight	kg	14	
Gross Weight	kg	16.5	

Outdoor Unit	Model of Outdoor Unit		GWH24AGD-K6DNA1C/O
	Product Code of Outdoor Unit		CB385W08600
	Compressor Manufacturer/Trademark		ZHUHAI LINDA COMPRESSOR CO., LTD
	Compressor Model		FTz-SM151AXB
	Compressor Oil		FW68DA
	Compressor Type		Rotary
	L.R.A.	A	/
	Compressor RLA	A	6.06
	Compressor Power Input	W	1330
	Overload Protector		/
	Throttling Method		Capillary
	Operation Temp	°C	16~30
	Ambient Temp (Cooling)	°C	-15~43
	Ambient Temp (Heating)	°C	-15~24
	Condenser Form		Aluminum Fin-copper Tube
	Pipe Diameter	mm	Φ7.94
	Rows-fin Gap	mm	2-1.4
	Coil Length (LXD _X W)	mm	848X38.1X528
	Fan Motor Speed	rpm	900
	Output of Fan Motor	W	40
	Fan Motor RLA	A	0.70
	Fan Motor Capacitor	μF	/
	Air Flow Volume of Outdoor Unit	m ³ /h	2800
	Fan Type		Axial-flow
	Fan Diameter	mm	Φ445
	Defrosting Method		Automatic Defrosting
	Climate Type		T1
	Isolation		I
	Moisture Protection		IPX4
	Permissible Excessive Operating Pressure for the Discharge Side	MPa	4.3
	Permissible Excessive Operating Pressure for the Suction Side	MPa	2.5
	Sound Pressure Level (H/M/L)	dB (A)	57/-/-
Sound Power Level (H/M/L)	dB (A)	65/-/-	
Dimension (WXHXD)	mm	873X555X376	
Dimension of Carton Box (LXWXH)	mm	948X428X591	
Dimension of Package (LXWXH)	mm	951X431X620	
Net Weight	kg	36.5	
Gross Weight	kg	39.5	
Refrigerant		R32	
Refrigerant Charge	kg	1.18	
Connection Pipe	Length	m	5
	Gas Additional Charge	g/m	16
	Outer Diameter Liquid Pipe	inch	1/4
	Outer Diameter Gas Pipe	inch	1/2
	Max Distance Height	m	10
	Max Distance Length	m	25
Note: The connection pipe applies metric diameter.			

The above data is subject to change without notice; please refer to the nameplate of the unit.

2.2 Capacity Variation Ratio According to Temperature



2.3 Cooling and Heating Data Sheet in Rated Frequency

Cooling:

Rated cooling condition(°C) (DB/WB)		Model	Pressure of gas pipe connecting indoor and outdoor unit	Inlet and outlet pipe temperature of heat exchanger		Fan speed of indoor unit	Fan speed of outdoor unit
Indoor	Outdoor			T1 (°C)	T2 (°C)		
27/19	35/24	09K	0.8~1.1	12 to 15	65 to 38	TURBO	High
		12K		11 to 14	64 to 37		
		18K	0.9~1.1	12 to 14	75 to 37		
		24K	0.8 ~ 1.0	10 to 12	72 to 40		

Heating:

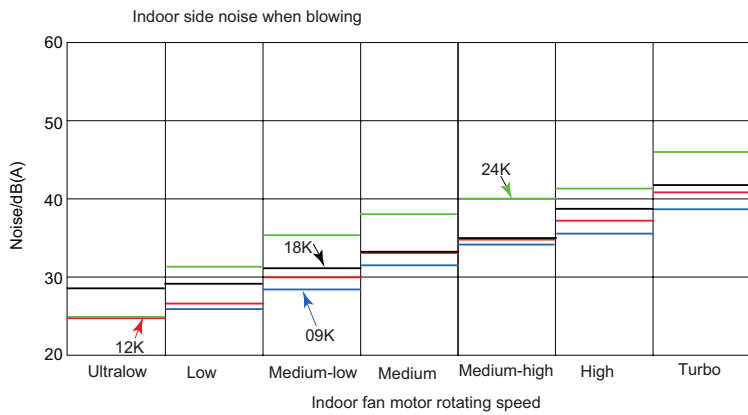
Rated cooling condition(°C) (DB/WB)		Model	Pressure of gas pipe connecting indoor and outdoor unit	Inlet and outlet pipe temperature of heat exchanger		Fan speed of indoor unit	Fan speed of outdoor unit
Indoor	Outdoor			T1 (°C)	T2 (°C)		
20/-	7/6	09K	2.8~3.2	35 to 63	2 to 5	TURBO	High
		12K		35 to 65	2 to 5		
		18K	2.2~2.4	70 to 40	1 to 5		
		24K	2.2 t~ 2.4	70 to 40	1 to 5		

Instruction:

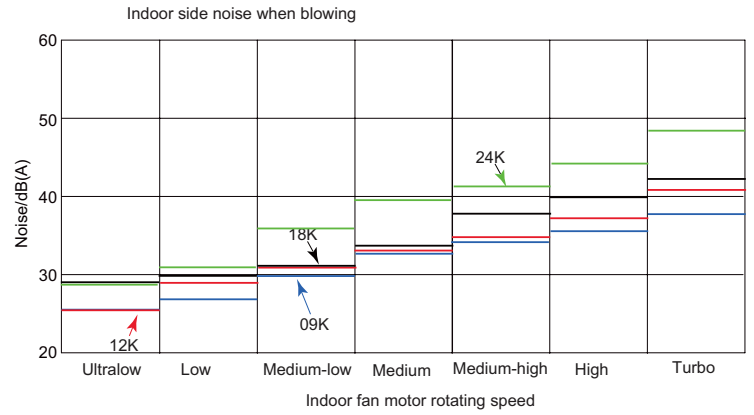
- T1: Inlet and outlet pipe temperature of evaporator
- T2: Inlet and outlet pipe temperature of condenser
- P: Pressure at the side of big valve
- Connection pipe length: 5 m.

2.4 Noise Curve

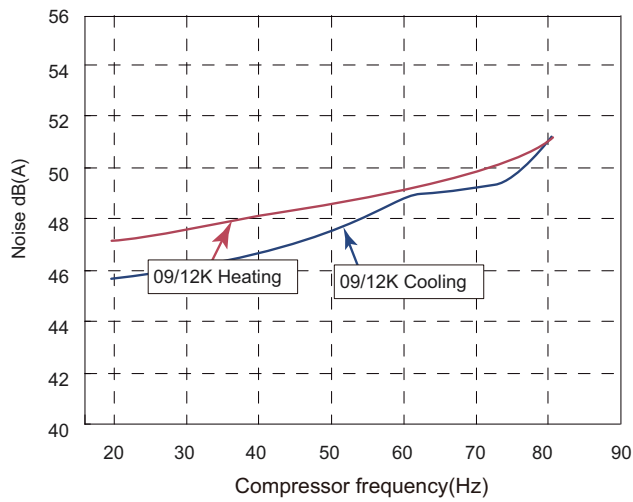
Cooling:



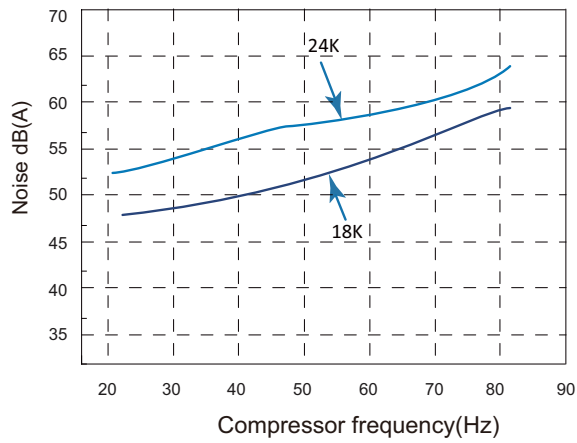
Heating:



Outdoor side noise when blowing

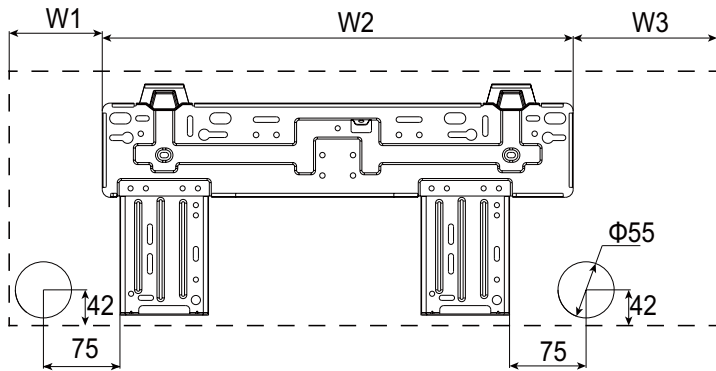
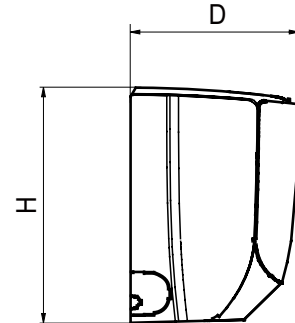
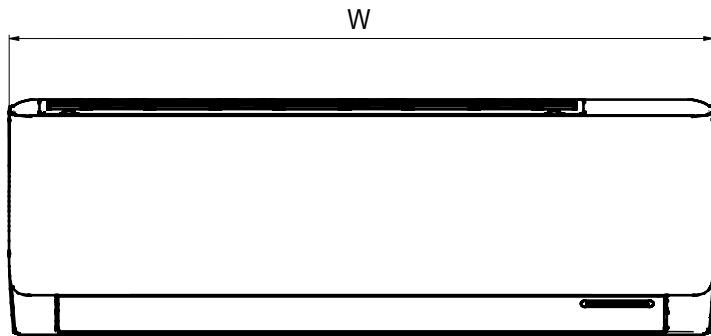


Outdoor side noise when blowing

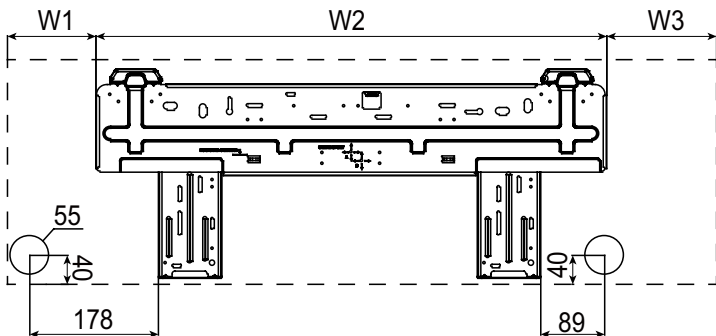


3. Outline Dimension Diagram

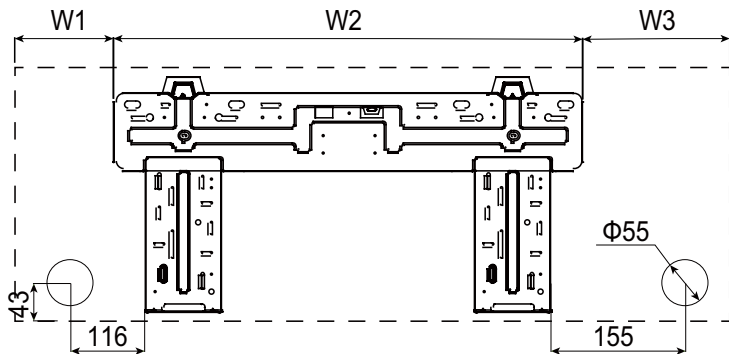
3.1 Indoor Unit



AGA/AGB



AGD



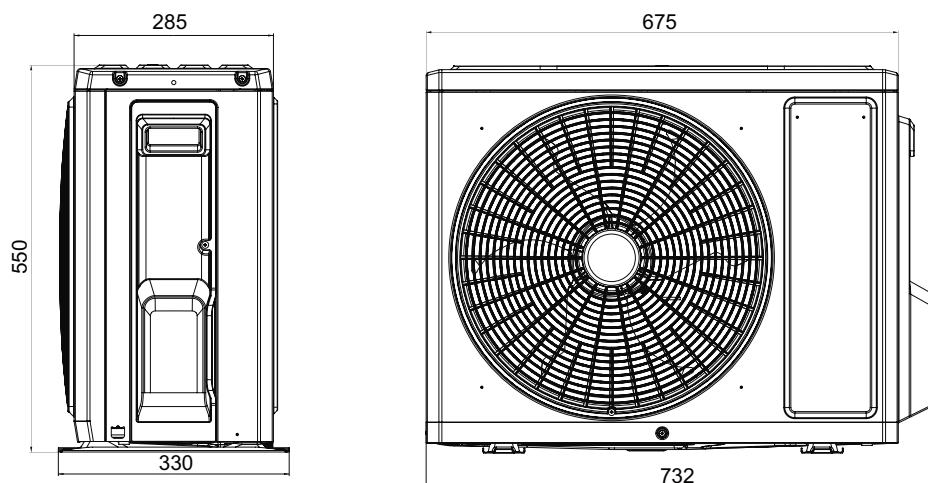
AGC

Unit:mm

Model	W	H	D	W1	W2	W3
AGA	704	260	185	93	462	149
AGB	779	260	185	133.5	462	183.5
AGC	825	293	196	113	542	170
AGD	982	311	221	122.5	707.5	152

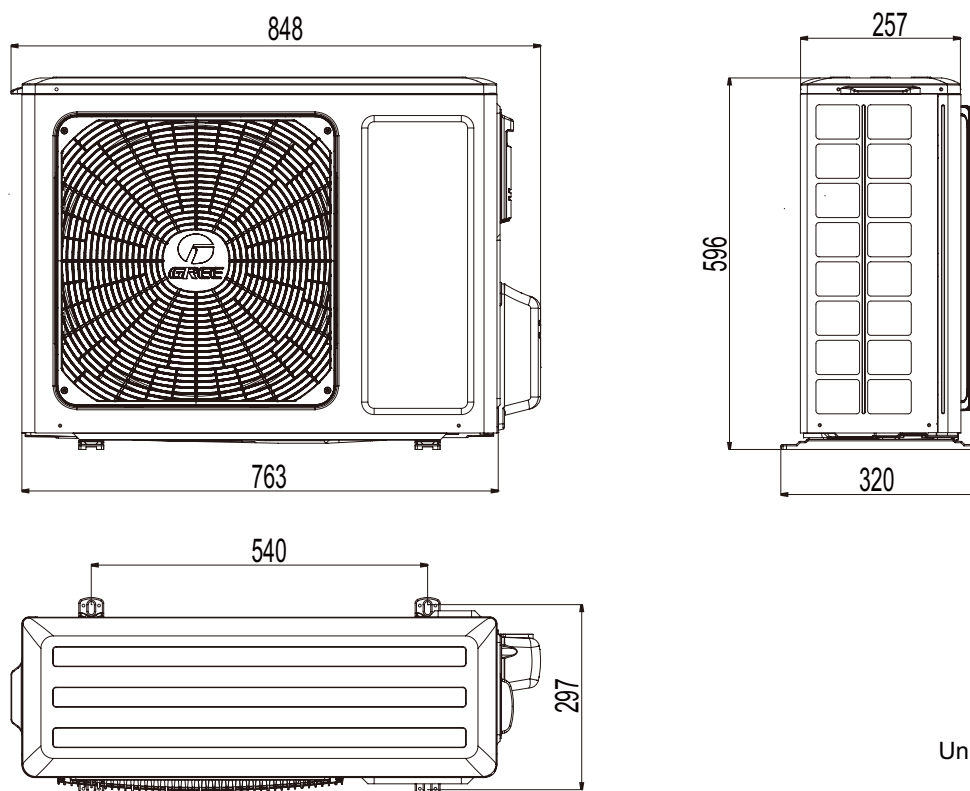
3.2 Outdoor Unit

09/12K
GWH18AGD-K6DNA1D/O



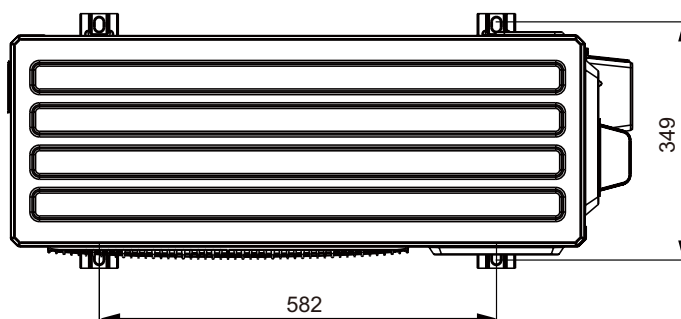
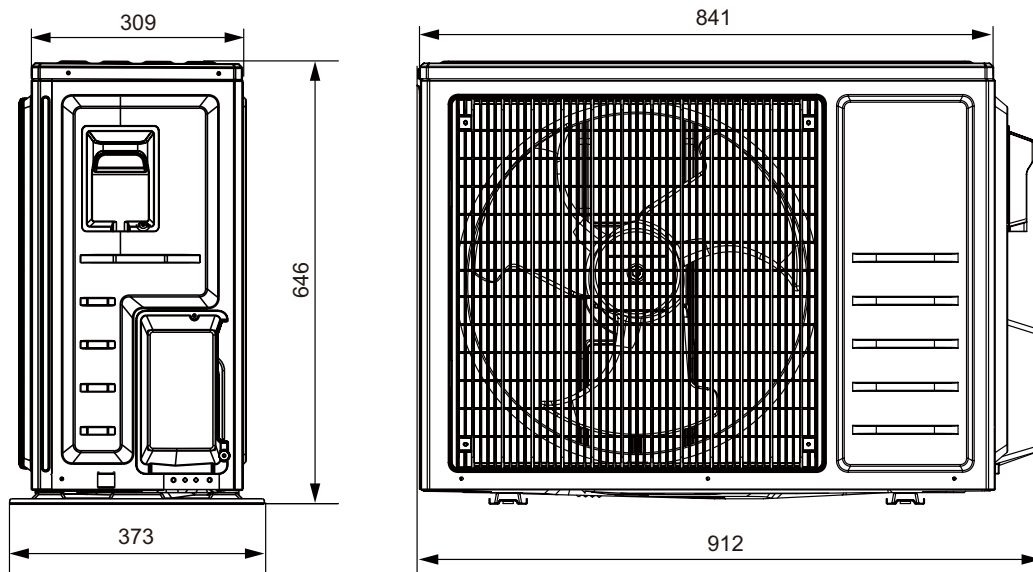
Unit:mm

GWH18AGD-K6DNA1A/O



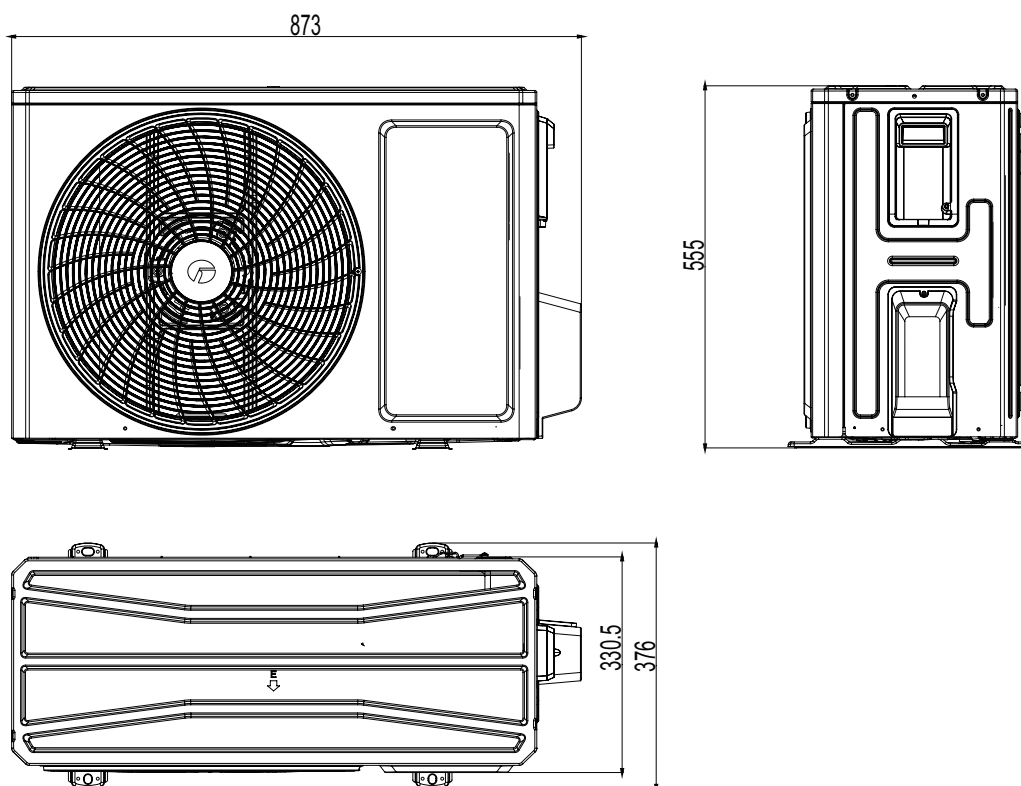
Unit:mm

GWH24AGD-K6DNA1A/O

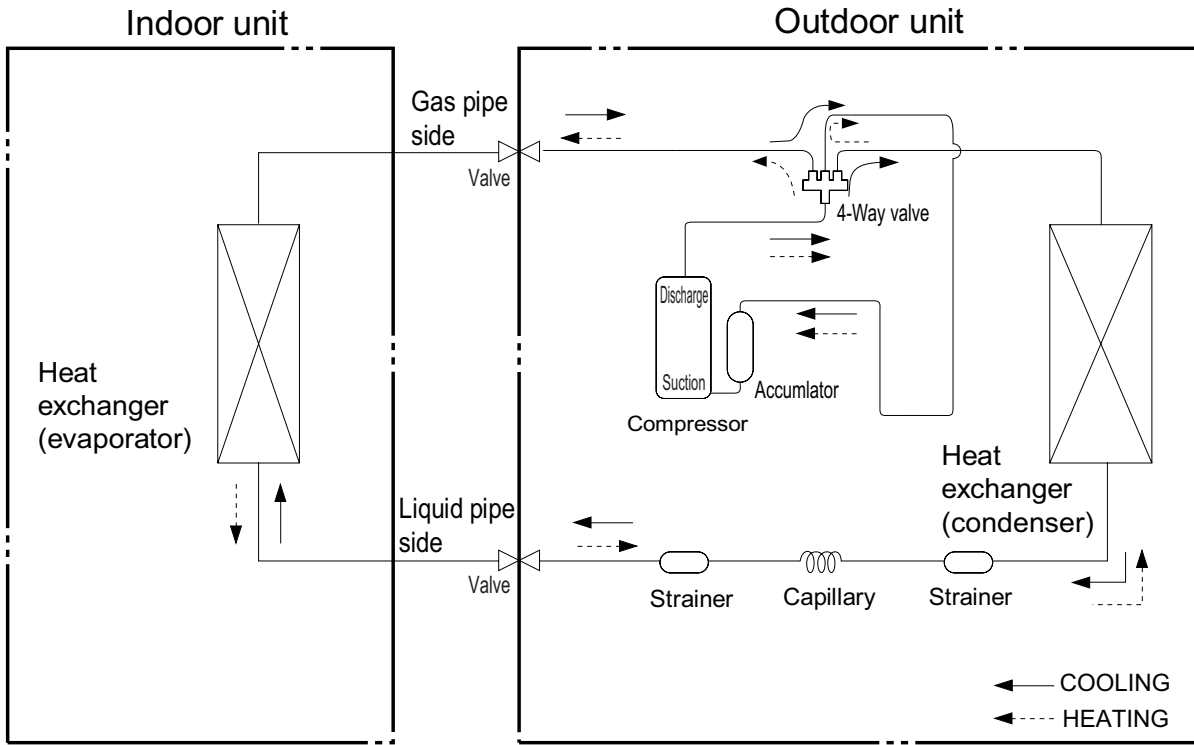


Unit: mm

GWH24AGD-K6DNA1C/O



4. Refrigerant System Diagram



Connection pipe specification:

Liquid pipe: 1/4"

Gas pipe: 3/8" / 1/2"

5. Electrical Part

5.1 Wiring Diagram

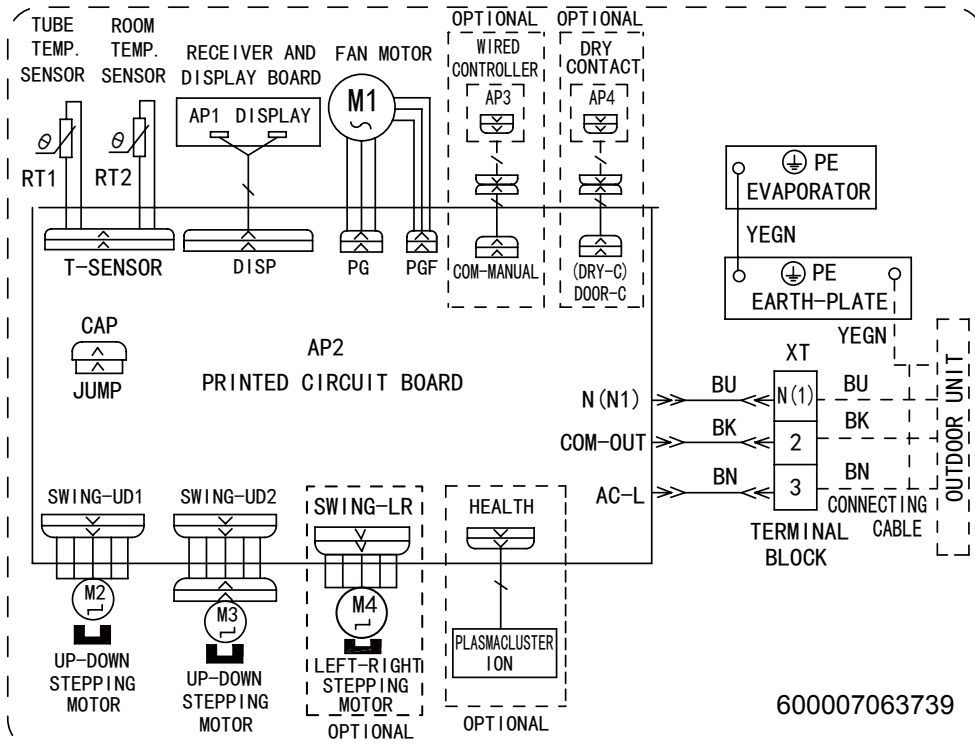
• Instruction

Symbol	Symbol Color	Symbol	Symbol Color	Symbol	Name
WH	White	GN	Green	CAP	Jumper cap
YE	Yellow	BN	Brown	COMP	Compressor
RD	Red	BU	Blue		Grounding wire
YEGN	Yellow/Green	BK	Black	/	/
VT	Violet	OG	Orange	/	/

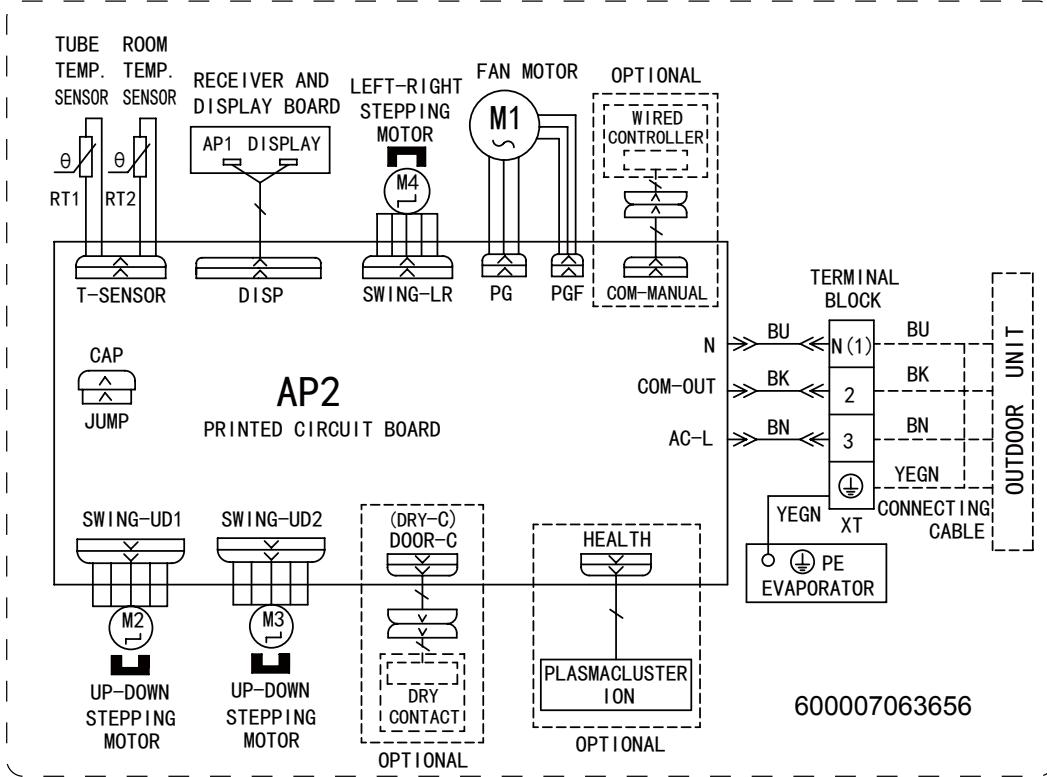
Note: Jumper cap is used to determine fan speed and the swing angle of horizontal lover for this model.

• Indoor Unit

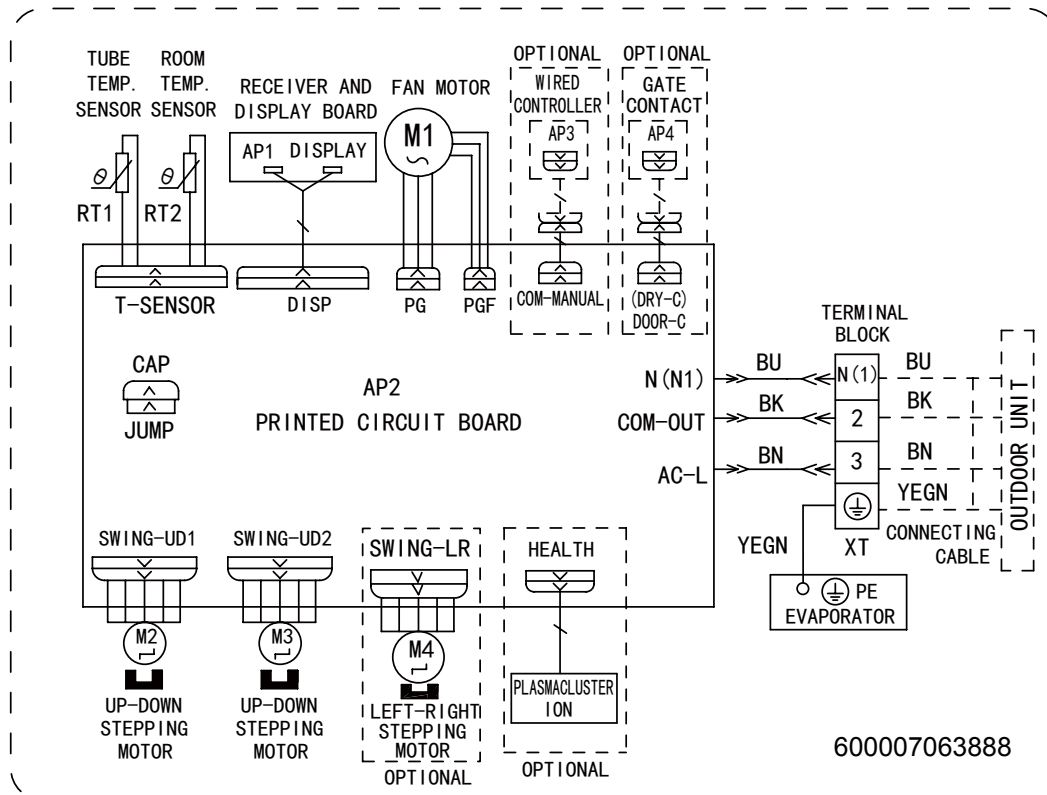
09K GWH12AGB-K6DNA1A/I



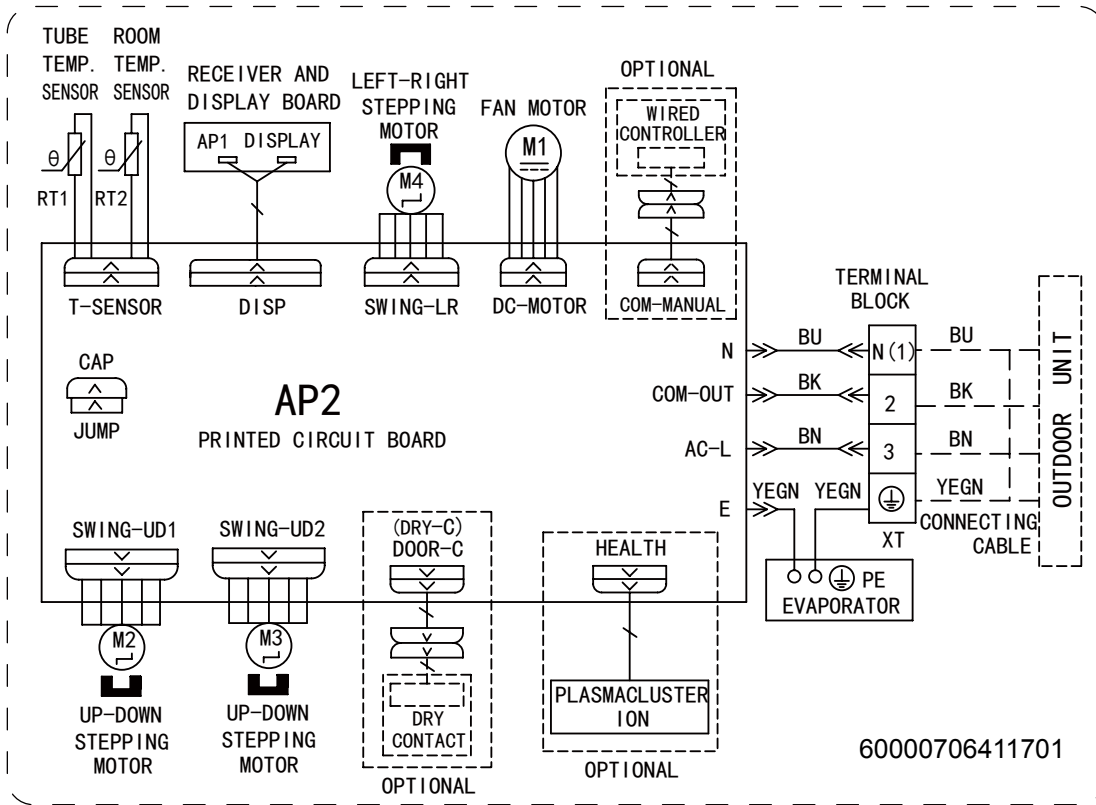
GWH18AGD-K6DNA1A/I(CB385N01900) GWH18AGD-K6DNA1D/I(CB385N08300/CB385N08301)
 GWH24AGD-K6DNA1C/I(CB385N08600/CB385N08601)



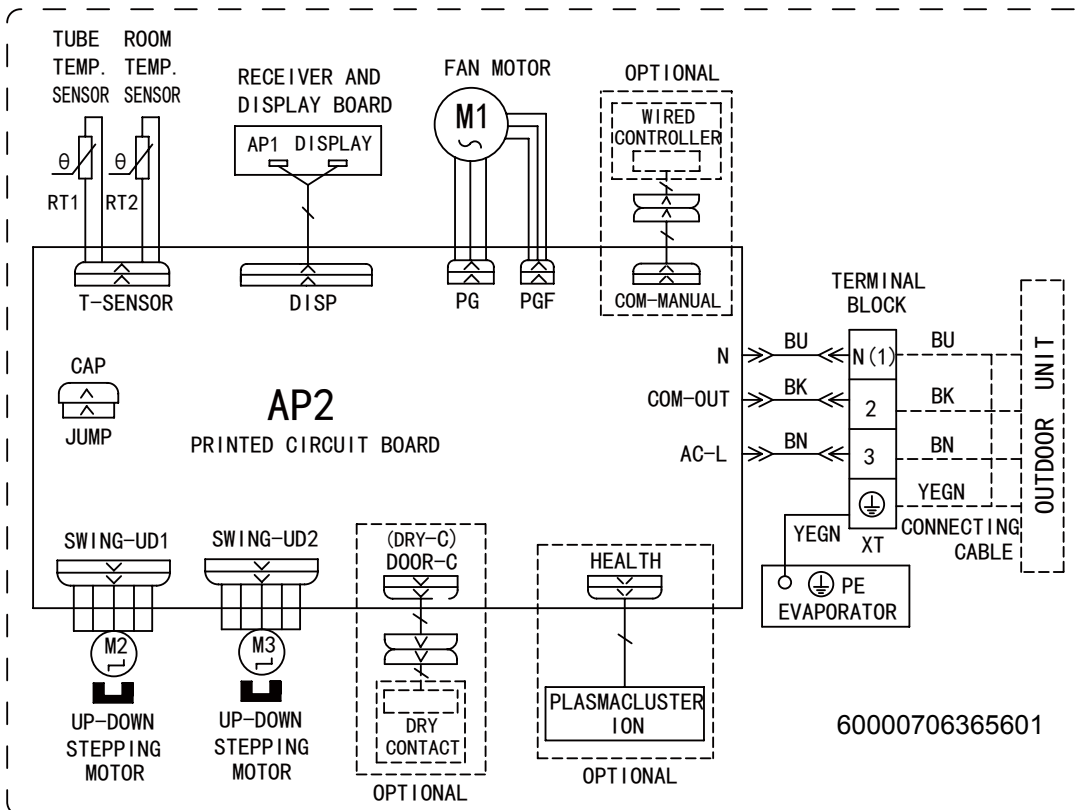
GWH12AGC-K6DNA1A/I



GWH24AGD-K6DNA1A/I(CB385N01500)

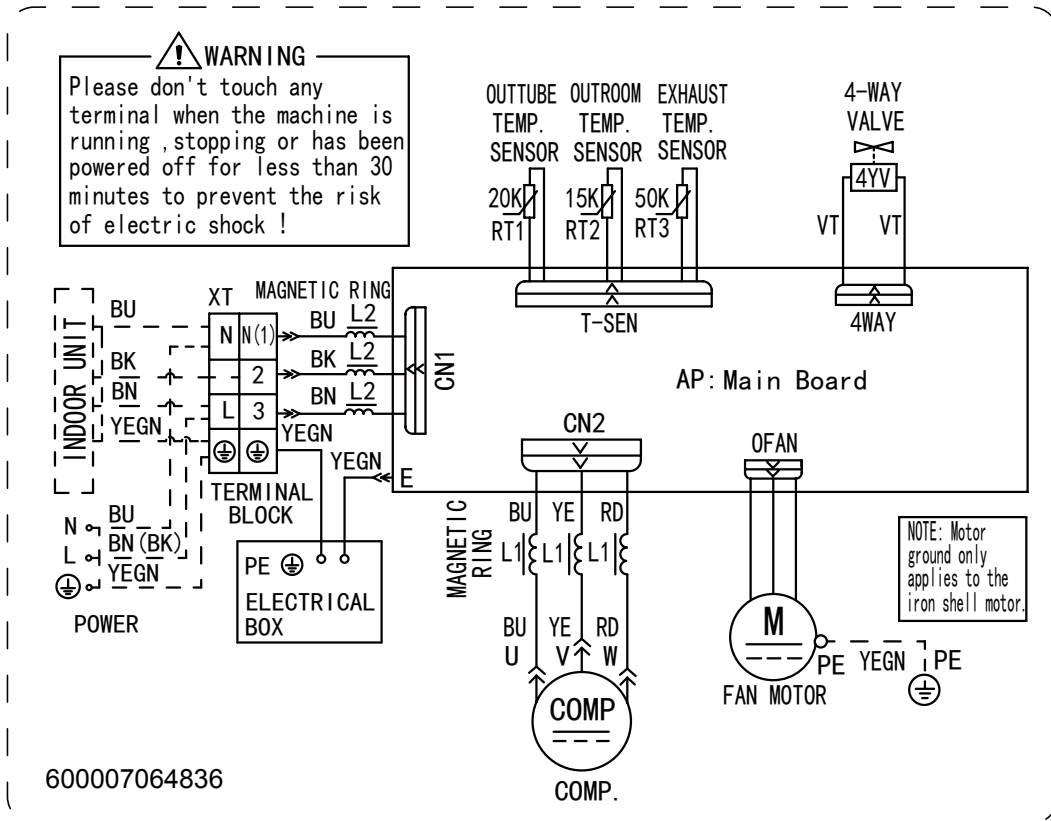


GWH18AGD-K6DNA1D/I(CB385N08302) GWH24AGD-K6DNA1C/I(CB385N08602)

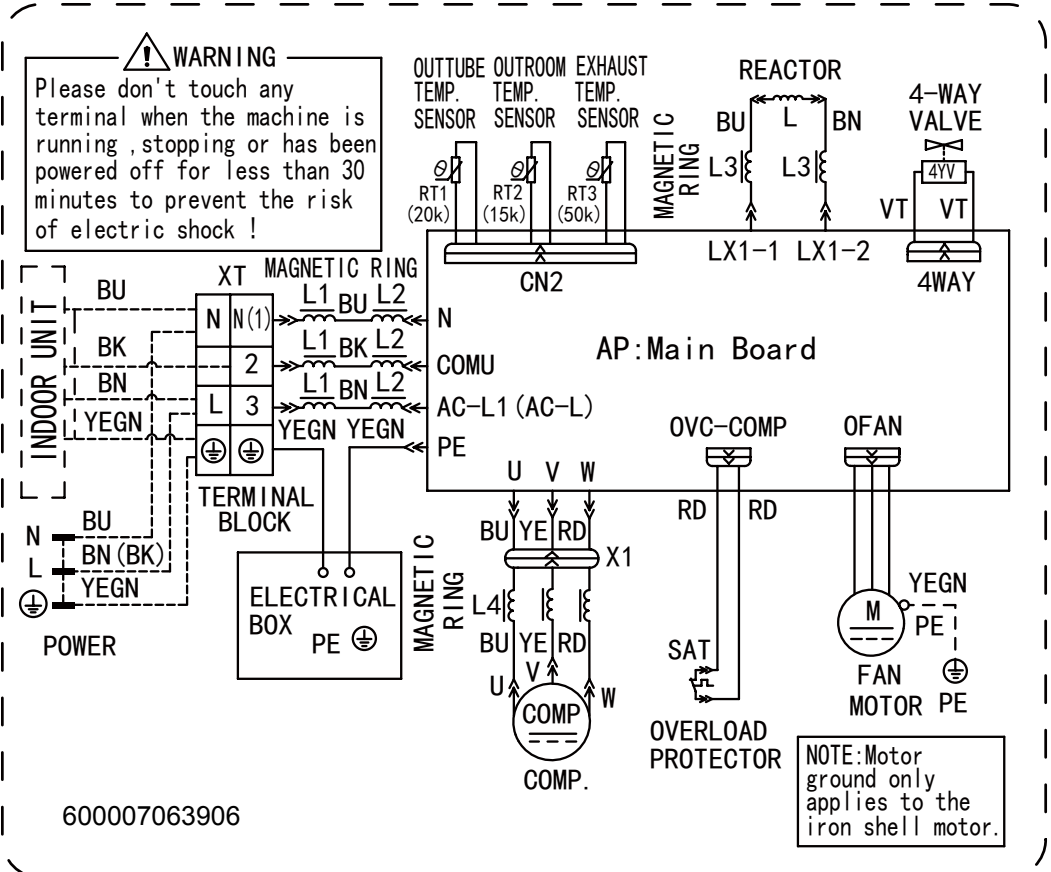


• Outdoor Unit

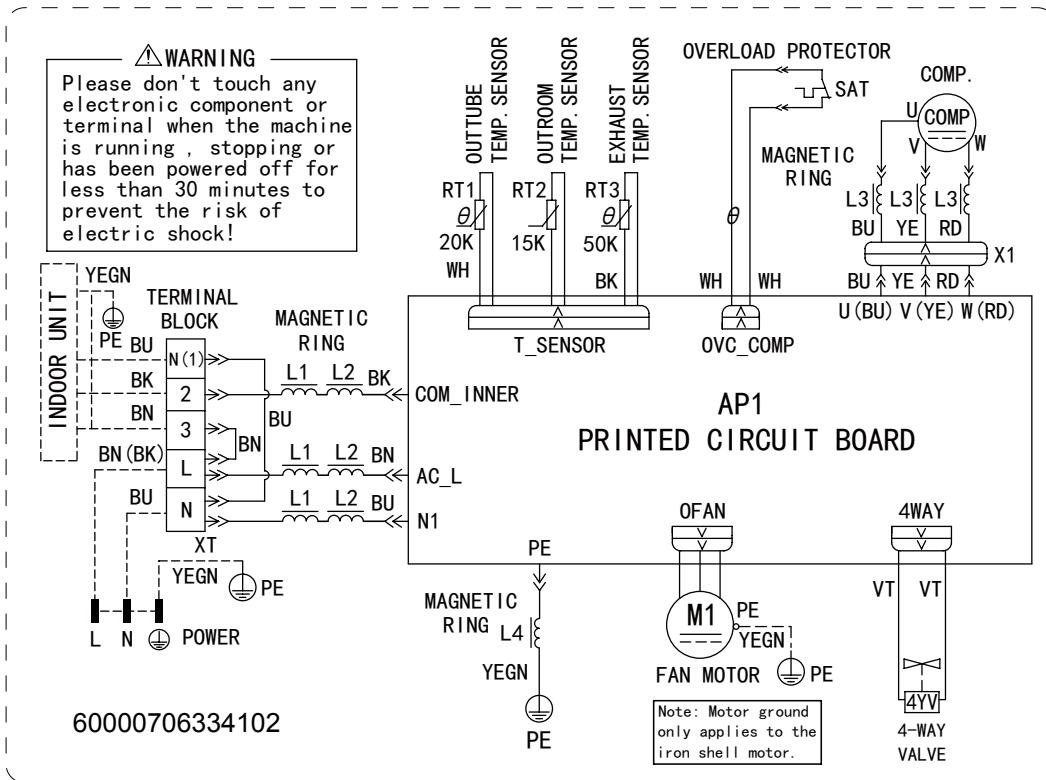
09/12K



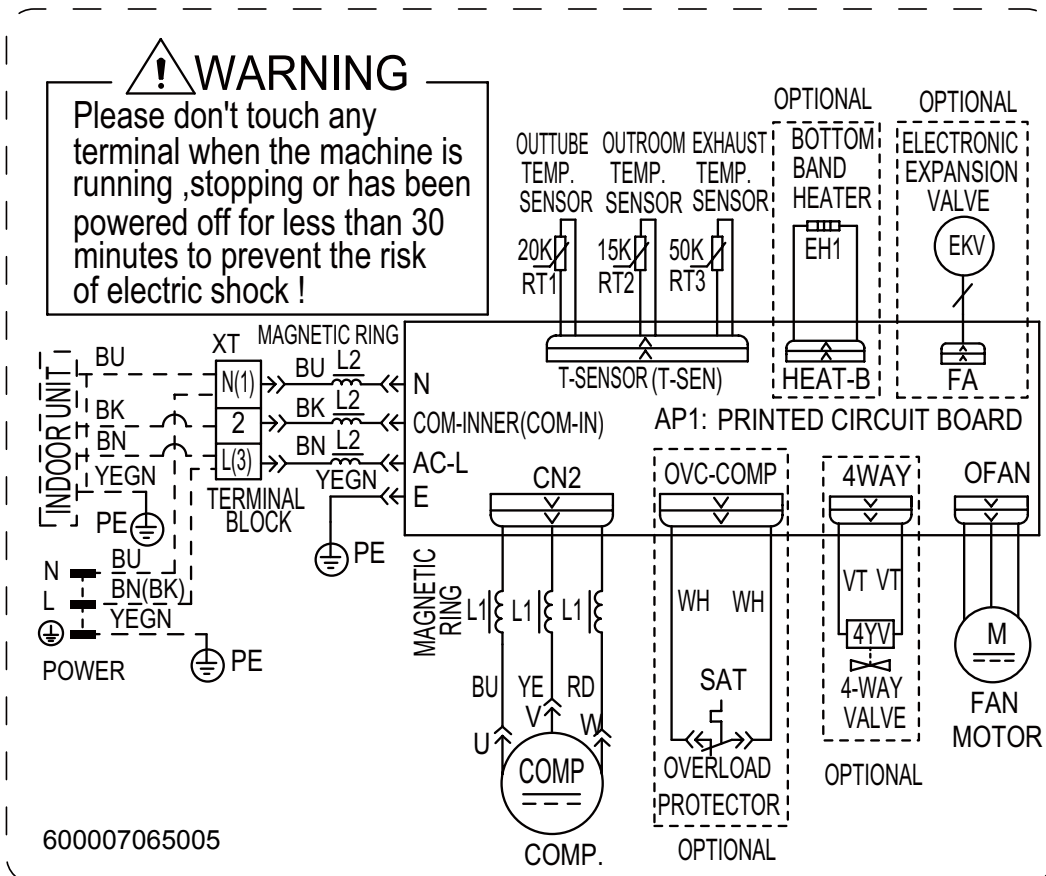
GWH18AGD-K6DNA1A/O



GWH24AGD-K6DNA1A/O



GWH18AGD-K6DNA1D/O
GWH24AGD-K6DNA1C/O



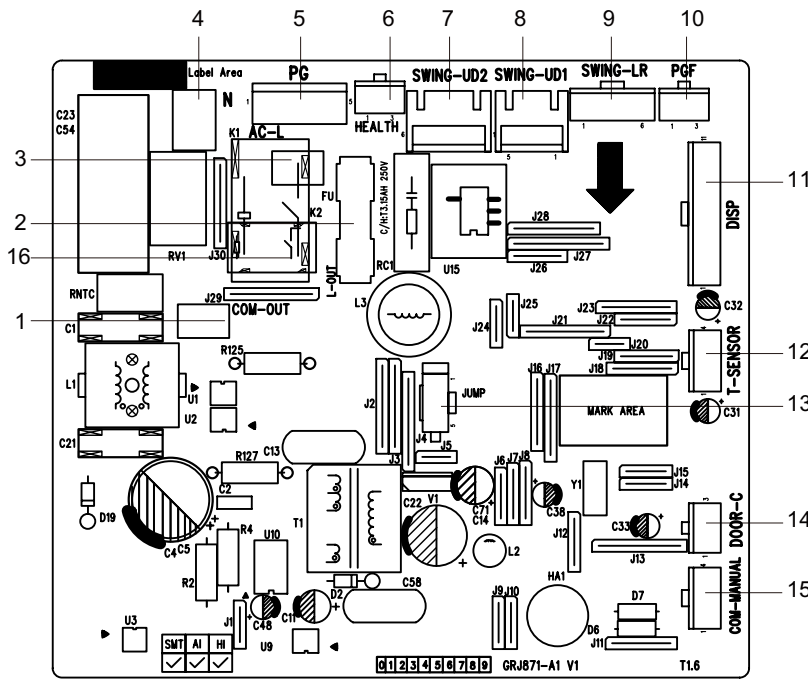
These circuit diagrams are subject to change without notice, please refer to the one supplied with the unit.

5.2 PCB Printed Diagram

Indoor Unit

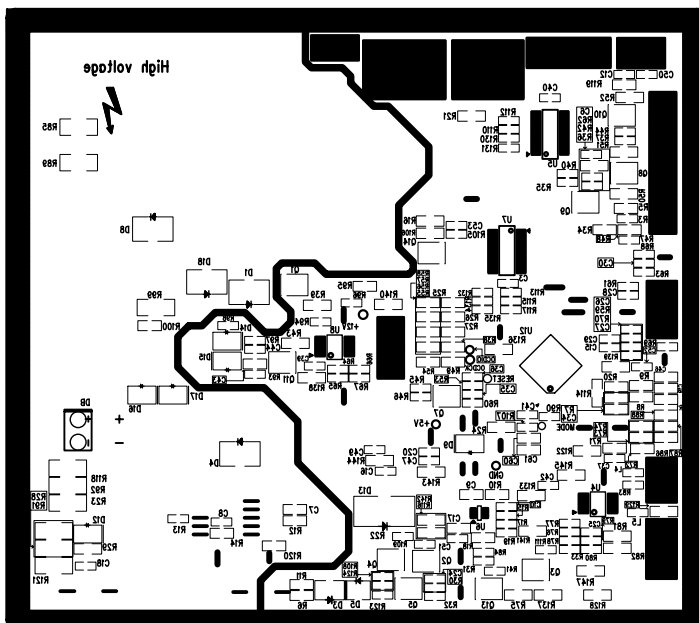
09K
GWH12AGB-K6DNA1A

● Top view



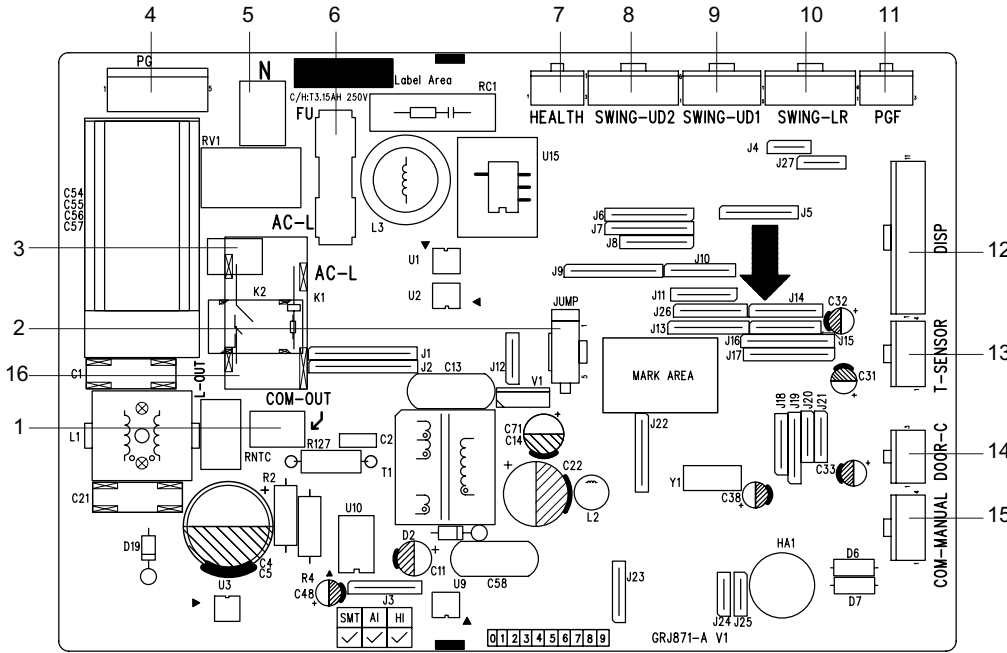
No	Name
1	Terminal of communication
2	Fuse
3	Live wire terminal
4	Neutral wire terminal
5	PG Motor terminal
6	Interface of health function
7	Up&down swing interface 2
8	Up&down swing interface 1
9	Left & Right swing interface (only for the model with this function)
10	Interface of PG feedback
11	Display interface
12	Terminal of temperature sensor
13	Jumper cap
14	Interface of gate-control (only for the model with this function)
15	Wired controller terminal (only for the model with this function)
16	Terminal of live wire used for supplying power for outdoor unit

● Bottom view



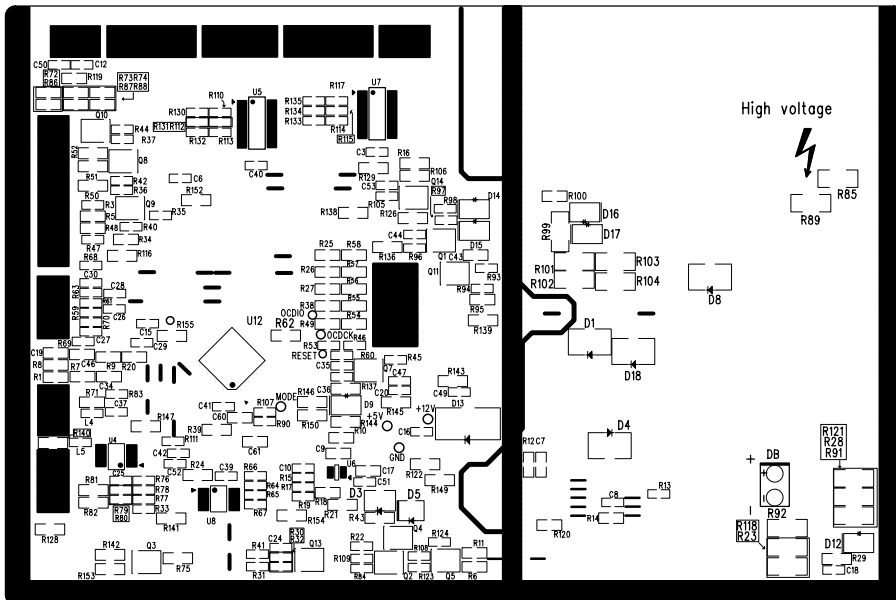
18K
GWH12AGC-K6DNA1A/I
GWH24AGD-K6DNA1C/I

• Top view



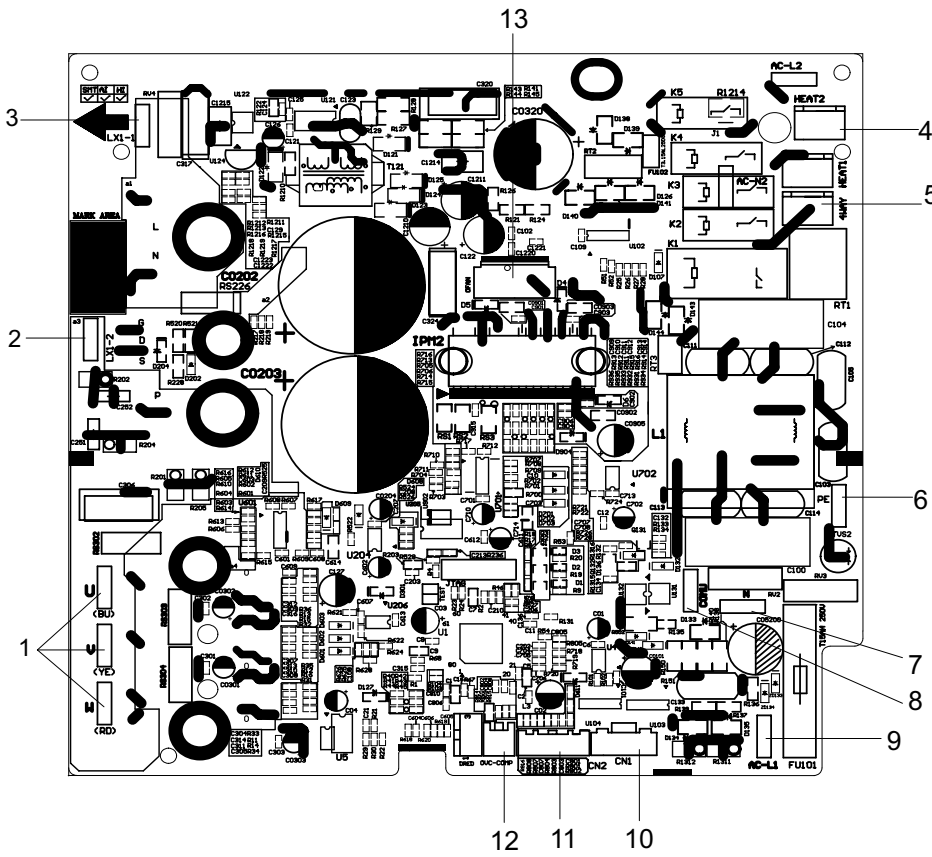
No	Name
1	Terminal of communication
2	Jumper cap
3	Live wire terminal
4	PG Motor terminal
5	Neutral wire terminal
6	Fuse
7	Interface of health function
8	Up&down swing interface 2
9	Up&down swing interface 1
10	Left &Right swing interface
11	Interface of PG feedback
12	display interface
13	Terminal of temperature sensor
14	Interface of gate-control (only for the model with thisfunction)
15	Wired controller terminal (only for the model with this function)
16	Terminal of live wire used for supplying power for outdoor unit

• Bottom view



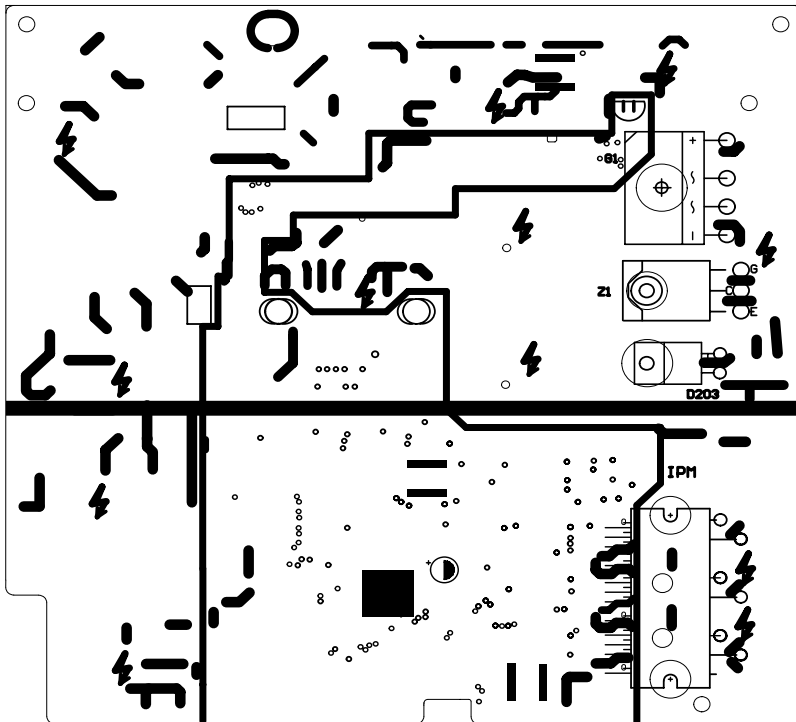
GWH18AGD-K6DNA1A/O

• Top view



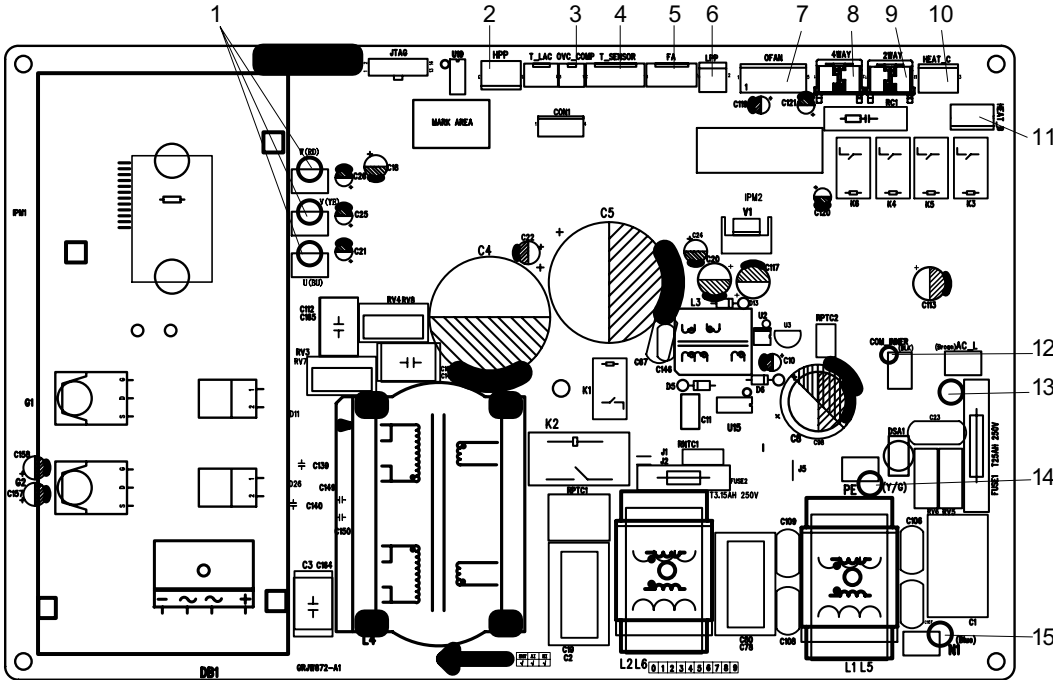
No.	Name
1	Interface of compressor wire
2	Reactor wiring terminal 2
3	Reactor wiring terminal 1
4	Terminal of chassis electric heater
5	4-way valve terminal
6	Grounding wire
7	Neutral wire
8	Communication wire
9	Live wire
10	Terminal of electronic expansion valve
11	Interface of temperature sensor
12	Overload interface of compressor
13	Terminal of outdoor fan

• Bottom view



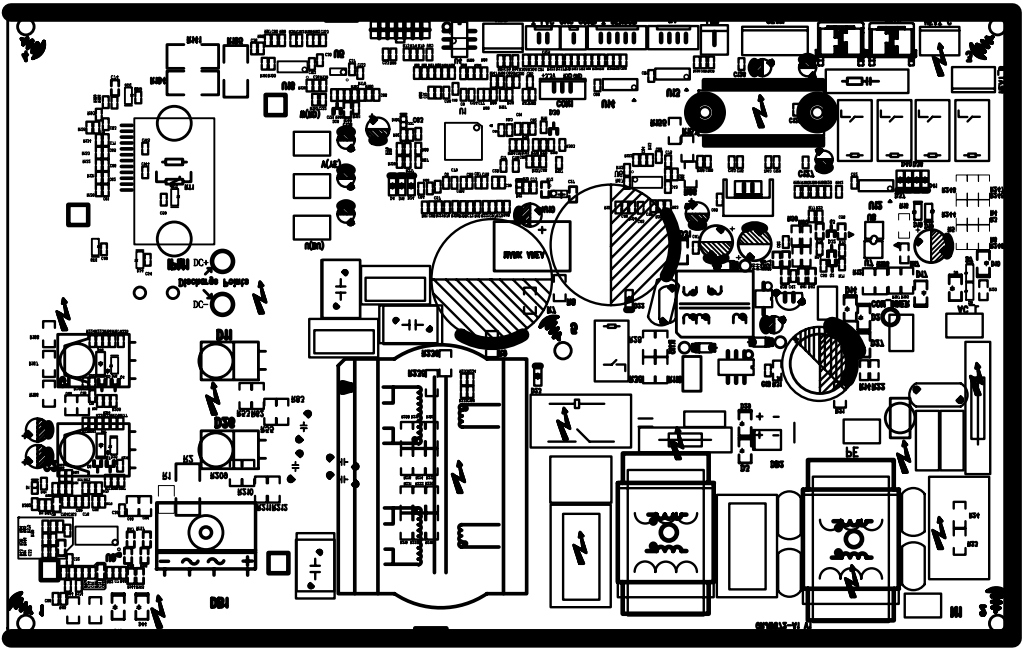
GWH24AGD-K6DNA1A/O

• Top view

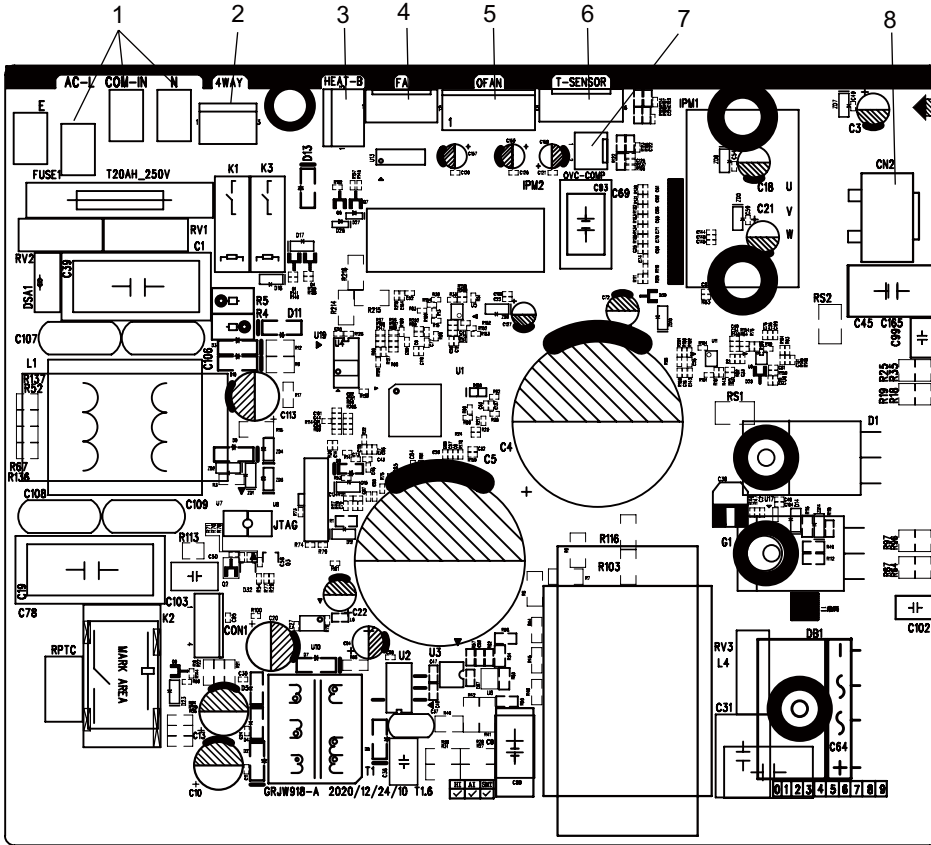


No.	Name
1	Compressor three phase input interface
2	Interface of system high pressure protection
3	Compressor overload protection interface
4	Interface of temperature sensor
5	Interface of electronic expansion valve
6	Interface of system low pressure protection
7	Interface of fan
8	4-way valve interface
9	2-way valve interface
10	Interface of electric heating for compressor
11	Interface of electric heating for chassis
12	Communication interface
13	Interface of live wire
14	Interface of earthing wire
15	Interface of neutral wire

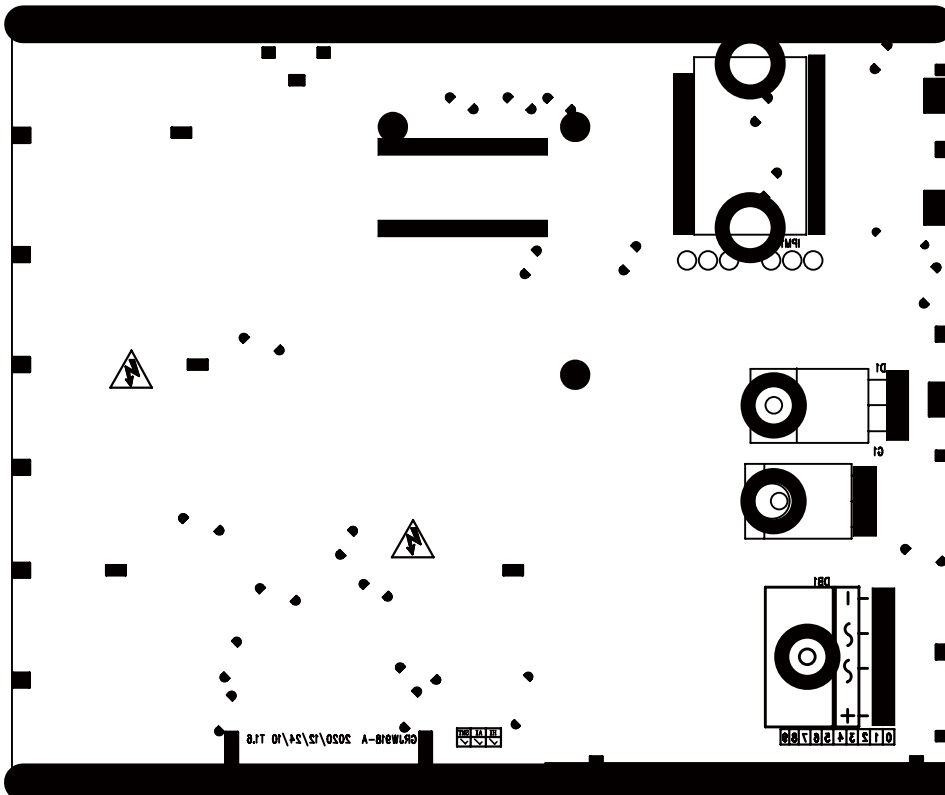
• Bottom view



GWH24AGD-K6DNA1C/O



No	Name
1	Neutral wire, live wire and communication cable
2	4-way valve
3	electric heating belt of chassis
4	Electronic expansion valve
5	Outdoor fan
6	Temperature sensor
7	Overload
8	Three-phase terminal of compressor

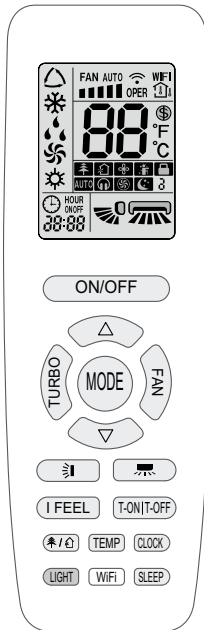


6. Function and Control

6.1 Remote Controller Introduction

Notice:

- This is a general use remote controller. It could be used for the air conditioner with multifunction. For the functions which the model doesn't have, if press the corresponding button on the remote controller, the unit will keep the original running status.
- After putting through the power, the air conditioner will give out a sound. Operation indicator "⏻" is ON. After that, you can operate the air conditioner by using remote controller.
- Under on status, pressing the button on the remote controller, the signal icon "📶" on the display of remote controller will blink once and the air conditioner will give out a "di" sound, which means the signal has been sent to the air conditioner.

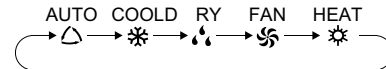


ON/OFF

Press this button to turn on the unit. Press this button again to turn off the unit.

MODE

Press this button to select your required operation mode.



- When selecting auto mode, air conditioner will operate automatically according to ex-factory setting. Press "FAN" button can adjust fan speed. Press "⏻" / "🌀" button can adjust fan blowing angle.

- After selecting cool mode, air conditioner will operate under cool mode. Cool indicator "❄️" on indoor unit is ON. (This indicator is not available for some models.) Press "▲" or "▼" button to adjust set temperature. Press "FAN" button to adjust fan speed. Press "⏻" / "🌀" button to adjust fan blowing angle.

- When selecting dry mode, the air conditioner operates at low speed under dry mode. Dry indicator "💧" on indoor unit is ON. (This indicator is not available for some models.) Under dry mode, fan speed can't be adjusted. Press "⏻" / "🌀" button to adjust fan blowing angle.

- When selecting fan mode, the air conditioner will only blow fan, no cooling and no heating. All indicators are OFF. Press "FAN" button to adjust fan speed. Press "⏻" / "🌀" button to adjust fan blowing angle.

- When selecting heating mode, the air conditioner operates under heat mode. Heat indicator "☀️" on indoor unit is ON. (This indicator is not available for some models.) Press "▲" or "▼" button to adjust set temperature. Press "FAN" button to adjust fan speed. Press "⏻" / "🌀" button to adjust fan blowing angle. (Cooling only unit won't receive heating mode signal. If setting heat mode with remote controller, press ON/OFF button can't start up the unit).

Notice:

- For preventing cold air, after starting up heat mode, indoor unit will delay 1~5 minutes to blow air (actual delay time depends on indoor ambient temperature).

Introduction for icons on display screen

	I feel	
	Set fan speed	
	Turbo mode	
	Send signal	
Operation mode		Auto mode
		Cool mode
		Dry mode
		Fan mode
		Heat mode
	Sleep mode	
	8°C heating function	
	Health mode	
	Scavenging function	
	Quiet	
	X-FAN function	
Temp. display type		Set temp.
		Indoor ambient temp.
		Outdoor ambient temp.
	Clock	
	Set temperature	
	WiFi function	
	Set time	
	TIMER ON / TIMER OFF	
	Left & right swing	
	Up & down swing	
	Child lock	

- Set temperature range from remote controller: 16~30°C (61-86 °C). Fan speed: auto,quiet,low speed, low-medium speed,medium speed,medium-high speed, high speed.
- This mode indicator is not available for some models.



This button is used for setting Fan Speed in the sequence that goes from AUTO, , , , , to , then back to Auto.

Notice:

- Under AUTO speed, air conditioner will select proper fan speed automatically according to factory default setting.
- It's low fan speed under dry mode.
- X-FAN function: Holding fan speed button for 2s in cool or dry mode, the icon " " is displayed and the indoor fan will continue operation for a few minutes in order to dry the indoor unit even though you have turned off the unit. After energization, X-FAN OFF is defaulted. X-FAN is not available in auto, fan or heat mode.

This function indicates that moisture on evaporator of indoor unit will be blown after the unit is stopped to avoid mould.

- Having set X-FAN function on: After turning off the unit by pressing ON/OFF button, indoor fan will continue running for a few minutes at low speed. In this period, hold fan speed button for 2s to stop indoor fan directly.

Having set X-FAN function off: After turning off the unit by pressing ON/OFF button, the complete unit will be off directly.



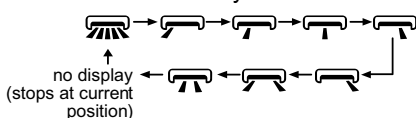
Under COOL or HEAT mode, press this button to turn to quick COOL or quick HEAT mode. " " icon is displayed on remote controller. Press this button again to exit turbo function and " " icon will disappear. If start this function, the unit will run at super-high fan speed to cool or heat quickly so that the ambient temp. approaches the preset temp. as soon as possible.



- Press "▲" or "▼" button once increase or decrease set temperature 1°C (°F). Holding "▲" or "▼" button, 2s later, set temperature on remote controller will change quickly. On releasing button after setting is finished, temperature indicator on indoor unit will change accordingly.
- When setting T-ON, T-OFF or CLOCK, press "▲" or "▼" button to adjust time. (Refer to CLOCK, TON, T-OFF buttons)



Press this button can select left & right swing angle. Fan blow angle can be selected circularly as below:

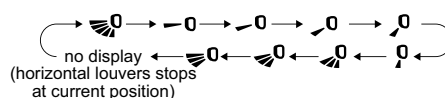


Notice:

- Press this button continuously more than 2s, the main unit will swing back and forth from left to right, and then loosen the button, the unit will stop swinging and present position of guide louver will be kept immediately.
- Under left and right swing mode, when the status is switched from off to , if press this button again 2s later, status will switch to off status directly; if press this button again within 2s, the change of swing status will also depend on the circulation sequence stated above.
- The function is only available for some models.



Press this button can select up & down swing angle. Fan blow angle can be selected circularly as below:



- When selecting " ", air conditioner is blowing fan automatically. Horizontal louver will automatically swing up & down at maximum angle.
- When selecting " , , , , ", air conditioner is blowing fan at fixed position. Horizontal louver will stop at the fixed position.
- When selecting " , , ", air conditioner is blowing fan at fixed angle. Horizontal louver will send air at the fixed angle.
- Hold " " button above 2s to set your required swing angle. When reaching your required angle, release the button.

Notice:

- " , , " may not be available. When air conditioner receives this signal, the air conditioner will blow fan automatically.
- Press this button continuously for more than 2s, the main unit will swing back and forth from up to down, and then loosen the button, the unit present position of guide louver will be kept immediately.
- Under up and down swing mode, when the status is switched from off to , if press this button again 2s later, status will switch to off status directly; if press this button again within 2s, the change of swing status will also depend on the circulation sequence stated above.



- T-ON button
"T-ON" button can set the time for timer on. After pressing this button, " " icon disappears and the word "ON" on remote controller blinks. Press "▲" or "▼" button to adjust T-ON setting. After each pressing "▲" or "▼" button, T-ON setting will increase or decrease 1min. Hold "▲" or "▼" button, 2s later, the time will change quickly until reaching your required time. Press "T-ON" to confirm it. The word "ON" will stop

blinking. "☉" icon resumes displaying. Cancel T-ON: Under the condition that T-ON is started up, press "T-ON" button to cancel it.

• T-OFF button

"T-OFF" button can set the time for timer off. After pressing this button, "☉" icon disappears and the word "OFF" on remote controller blinks. Press "▲" or "▼" button to adjust T-OFF setting. After each pressing "▲" or "▼" button, T-OFF setting will increase or decrease 1min. Hold "▲" or "▼" button, 2s later, the time will change quickly until reaching your required time. Press "T-OFF" word "OFF" will stop blinking.

"☉" icon resumes displaying. Cancel T-OFF. Under the condition that T-OFF is started up, press "T-OFF" button to cancel it.

Notice:

- Under on and off status, you can set T-OFF or T-ON simultaneously.
- Before setting T-ON or T-OFF, please adjust the clock time.
- After starting up T-ON or T-OFF, set the constant circulating valid.

After that, air conditioner will be turned on or turned off according to setting time. ON/OFF button has no effect on setting. If you don't need this function, please use remote controller to cancel it.

I FEEL

Press this button to start I FEEL function and "🌡️" will be displayed on the remote controller. After this function is set, the remote controller will send the detected ambient temperature to the controller and the unit will automatically adjust the indoor temperature according to the detected temperature. Press this button again to cancel I FEEL function and "🌡️" will disappear.

- Please put the remote controller near user when this function is set. Do not put the remote controller near the object of high temperature or low temperature in order to avoid detecting inaccurate ambient temperature.

When I FEEL function is turned on, the remote controller should be put within the area where indoor unit can receive the signal sent by the remote controller.

CLOCK

Press this button to set clock time. "☉" icon on remote controller will blink. Press "▲" or "▼" button within 5s to set clock time. Each pressing of "▲" or "▼" button, clock time will increase or decrease 1 minute. If hold "▲" or "▼" button, 2s later, time will change quickly. Release this button when reaching your required time. Press "CLOCK" button to confirm the time. "☉" icon stops blinking.

Notice:

- Clock time adopts 24-hour mode.

- The interval between two operations can't exceed 5s. Otherwise, remote controller will quit setting status. Operation for TIMER ON/TIMER OFF is the same.

SLEEP

- Press this button, can select Sleep 1 (☾ 1), Sleep 2 (☾ 2), Sleep 3 (☾ 3) and cancel the Sleep, circulate between these, after electrified, Sleep Cancel is defaulted.

• Sleep 1 is Sleep mode 1, in Cool modes; sleep status after run for one hour, the main unit setting temperature will increase 1, two hours, setting temperature increased 2℃, then the unit will run at this setting temperature; In Heat mode: sleep status after run for one hour, the setting temperature will decrease 1, two hours, setting temperature will decrease 2, then the unit will run at this setting temperature.

- Sleep 2 is sleep mode 2, that is air conditioner will run according to the presetting a group of sleep temperature curve.

• Sleep 3-the sleep curve setting under Sleep mode by DIY;
 (1) Under Sleep 3 mode, press "Turbo" button for a long time, remote controller enters into user individuation sleep setting status, at this time, the time of remote controller will display "1hour", the setting temperature "88" will display the corresponding temperature of last setting sleep curve and blink (The first entering will display according to the initial curve setting value of original factory);

(2) Adjust "+" and "-" button, could change the corresponding setting temperature, after adjusted, press "Turbo" button for confirmation;

(3) At this time, 1hour will be automatically increased at the timer position on the remote control, (that are "2hours" or "3hours" or "8hours"), the place of setting temperature "88" will display the corresponding temperature of last setting sleep curve and blink;

(4) Repeat the above step (2)~(3) operation, until 8 hours temperature setting finished, sleep, curve setting finished, at this time, the remote controller will resume the original timer display; temperature display will resume to original setting temperature.

- Sleep3- the sleep curve setting under Sleep mode by DIY could be inquired:

The user could accord to sleep curve setting method to inquire the presetting sleep curve, enter into user individuation sleep setting status, but do not change the temperature, press "Turbo" button directly for confirmation. Note: In the above presetting or enquiry procedure, if continuously within 10s, there is no button pressed, the sleep curve setting within 10s, there is no button pressed, the sleep curve setting status will be automatically quit and resume to display the original displaying. In the presetting or enquiry procedure, press "ON/OFF" button, "Mode" button, "Sleep" button, the sleep curve setting or enquiry status will quit similarly.

WiFi

When WiFi function is turned on, "WiFi" icon will be displayed on the remote controller; when WiFi function is turned off, "WiFi" icon will disappear.

How to turn on WiFi: Press "WiFi" button to turn on WiFi function.

How to turn off WiFi: Hold "WiFi" button for 5s to turn off WiFi function.

Under off status, press "MODE" and "WiFi" buttons simultaneously for 1s, WiFi module will restore factory settings.

- This function is only available for some models.



Press this button to achieve the on and off of health and scavenging functions in operation station. Press this button for the first time to start scavenging function; LCD displays

"🏠". Press the button for the second time to start health and scavenging functions simultaneously; LCD displays

"🏠" and "🌿". Press this button for the third time to quit health and scavenging functions simultaneously. Press the button for the fourth time to start health function; LCD display

"🌿". Press this button again to repeat the operation above.

- This function is applicable to partial of models .

LIGHT

Press this button to turn off display light on indoor unit. "💡" icon on remote controller disappears.

Press this button again to turn on display light. "💡" icon is displayed.

TEMP

Press this button, you can see indoor set temperature, indoor ambient temperature on indoor unit' s display. The setting on remote controller is selected circularly as below:



Function introduction for combination buttons

Energy-saving function

Under cooling mode, press "TEMP" and "CLOCK" buttons simultaneously to start up or turn off energy-saving function. When energy-saving function is started up, "SE" will be shown on remote controller, and air conditioner will adjust the set temperature automatically according to ex-factory setting to reach to the best energy-saving effect.

Press "TEMP" and "CLOCK" buttons simultaneously again to exit energy-saving function.

Notice:

- Under energy-saving function, fan speed is defaulted at auto speed and it can't be adjusted.
- Under energy-saving function, set temperature can't be adjusted. Press "TURBO" button and the remote controller won't send signal.
- Sleep function and energy-saving function can't operate at the same time. If energy-saving function has been set under cool mode, press sleep button will cancel energy-saving function. If sleep function has been set under cool mode, start up the energy-saving function will cancel sleep function.

8°C heating function(This function is not available for cool only models.)

Under heat mode, press "TEMP" and "CLOCK" buttons simultaneously to start up or turn off 8°C heating function. When this function is started up, "🌡" and "8°C" will be shown on remote controller, and the air conditioner keep the heating status at 8°C . Press "TEMP" and "CLOCK" buttons simultaneously again to exit 8°C heating function.

Notice:

- Under 8°C heating function, fan speed is defaulted at auto speed and it can't be adjusted.
- Under 8°C heating function, set temperature can't be adjusted. Press "TURBO" button and the remote controller won't send signal.
- Sleep function and 8°C heating function can't operate at the same time. If 8°C heating function has been set under heat mode, press sleep button will cancel 8°C heating function. If sleep function has been set under heat mode, start up the 8°C heating function will cancel sleep function.
- Under °F temperature display, the remote controller will display 46 °F heating.

Child lock function

Press "▲" and "▼" simultaneously to turn on or turn off child lock function. When child lock function is on, "🔒" icon is displayed on remote controller. If you operate the remote controller, the "🔒" icon will blink three times without sending signal to the unit.

Temperature display switchover function

Under OFF status, press "▼" and "MODE" buttons simultaneously to switch temperature display between °C and °F .

Auto clean function

Under unit off status, hold "MODE" and "FAN" buttons simultaneously for 5s to turn on or turn off the internal clean function. When the internal clean function is turned on, indoor unit displays "CL" . During the self-cleaning process of evaporator, the unit will perform fast cooling or fast heating. There may be some noise, which is the sound of flowing liquid or thermal expansion or cold shrinkage. The air conditioner may blow cool or warm air, which is a normal phenomenon.

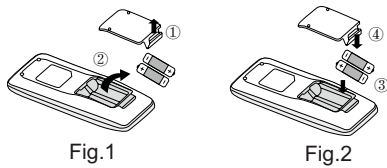
During cleaning, please make sure the room is well ventilated to avoid affecting the degree of comfort.

Notice:

The self-cleaning function can only work under normal ambient temperature. If the room is dusty, clean once a month; if not, clean once every three months. After the self-cleaning function is turned on, you may leave the room. When self-cleaning is finished, the air conditioner will enter standby mode.

This function is applicable for some models.

Replacement of batteries in remote controller



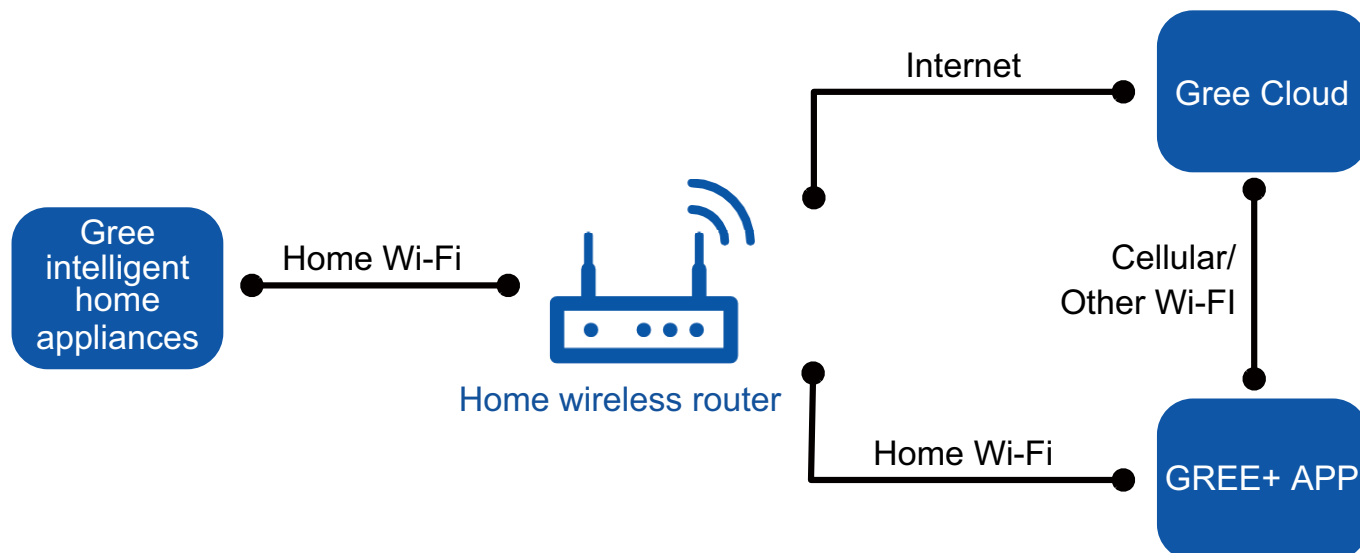
1. Lift the cover along the direction of arrow (as shown in Fig 1 ①).
2. Take out the original batteries (as shown in Fig 1 ②).
3. Place two 7# (AAA 1.5V) dry batteries, and make sure the position of “+” polar and “-” polar is correct (as shown in Fig 2 ③).
4. Reinstall the cover (as shown in Fig 2 ④).

Notice:

- During operation, point the remote control signal sender at the receiving window on indoor unit.
- The distance between signal sender and receiving window should be no more than 8m, and there should be no obstacles between them.
- Signal may be interfered easily in the room where there is fluorescent lamp or wireless telephone; remote controller should be close to indoor unit during operation.
- Replace new batteries of the same model when replacement is required.
- When you don't use remote controller for a long time, please take out the batteries.
- If the display on remote controller is fuzzy or there's no display, please replace batteries.

6.2 GREE+ App Operation Manual

Control Flow Chart



Operating Systems

Requirement for Users smart phone:



iOS system
Support iOS7.0 and
above version



Android system
Support Android 4.4 and
above version

Download and installation



GREE+ App Download Linkage

Scan the QR code or search "GREE+" in the application market to download and install it. When "GREE+" App is installed, register the account and add the device to achieve long-distance control and LAN control of Gree smart home appliances.

For more information, please refer to "Help" in App.

6.4 Brief Description of Modes and Functions

● Indoor Unit

1. Basic function of system

(1) Cooling mode

- (1) Under this mode, fan and swing operates at setting status. Temperature setting range is 16~30°C.
- (2) During malfunction of outdoor unit or the unit is stopped because of protection, indoor unit keeps original operation status.

(2) Drying mode

- (1) Under this mode, fan operates at low speed and swing operates at setting status. Temperature setting range is 16~30°C.
- (2) During malfunction of outdoor unit or the unit is stopped because of protection, indoor unit keeps original operation status.
- (3) Protection status is same as that under cooling mode.
- (4) Sleep function is not available for drying mode.

(3) Heating mode

- (1) Under this mode, Temperature setting range is 16~30°C.
- (2) Working condition and process for heating mode:

When turn on the unit under heating mode, indoor unit enters into cold air prevention status. When the unit is stopped or at OFF status, and indoor unit has been started up just now, the unit enters into residual heat-blowing status.

(4) Working method for AUTO mode:

1. Working condition and process for AUTO mode:
 - a. Under AUTO mode, standard heating $T_{\text{preset}}=20^{\circ}\text{C}$ and standard cooling $T_{\text{preset}}=25^{\circ}\text{C}$. The unit will switch mode automatically according to ambient temperature.
 2. Protection function
 - a. During cooling operation, protection function is same as that under cooling mode.
 - b. During heating operation, protection function is same as that under heating mode.
 3. Display: Set temperature is the set value under each condition. Ambient temperature is ($T_{\text{amb.}}-T_{\text{compensation}}$) for heat pump unit and $T_{\text{amb.}}$ for cooling only unit.
 4. If theres I feel function, $T_{\text{compensation}}$ is 0. Others are same as above.

(5) Fan mode

Under this mode, indoor fan operates at set fan speed. Compressor, outdoor fan, 4-way valve and electric heating tube stop operation. Indoor fan can select to operate at high, medium, low or auto fan speed. Temperature setting range is 16~30°C.

2. Other control

(1) Buzzer

Upon energization or availably operating the unit or remote controller, the buzzer will give out a beep.

(2) Auto button

If press this auto button when turning off the unit, the complete unit will operate at auto mode. Indoor fan operates at auto fan speed and swing function is turned on. Press this auto button at ON status to turn off the unit.

(3) Auto fan

Heating mode: During auto heating mode or normal heating mode, auto fan speed will adjust the fan speed automatically according to ambient temperature and set temperature.

(4) Sleep

After setting sleep function for a period of time, system will adjust set temperature automatically.

(5) Timer function:

General timer and clock timer functions are compatible by equipping remote controller with different functions.

(6) Memory function

memorize compensation temperature, off-peak energization value.

Memory content: mode, up&down swing, light, set temperature, set fan speed, general timer (clock timer can't be memorized).

After power recovery, the unit will be turned on automatically according to memory content.

(7) Health function

During operation of indoor fan, set health function by remote controller. Turn off the unit will also turn off health function.

Turn on the unit by pressing auto button, and the health is defaulted ON.

(8) I feel control mode

After controller received I feel control signal and ambient temperature sent by remote controller, controller will work according to the ambient temperature sent by remote controller.

(9) Entry condition for compulsory defrosting function

When turn on the unit under heating mode and set temperature is 16°C (or 16.5°C by remote controller), press “+, -, +, -, +, -” button successively within 5s and then indoor unit will enter into compulsory defrosting setting status:

(1) If there's only indoor units controller, it enters into indoor normal defrosting mode.

(2) If there's indoor units controller and outdoor units controller, indoor unit will send compulsory defrosting mode signal to outdoor unit and then outdoor unit will operate under normal defrosting mode. After indoor unit received the signal that outdoor unit has entered into defrosting status, indoor unit will cancel to send compulsory mode to outdoor unit. If outdoor unit hasn't received feedback signal from outdoor unit after 3min, indoor unit will also cancel to send compulsory defrosting signal.

(10) Refrigerant recovery function:

Enter into Freon recovery mode actively: Within 5min after energization, turn on the unit at 16°C under cooling mode, and press light button for 3 times within 3s to enter into Freon recovery mode. Fo is displayed and Freon recovery mode will be sent to outdoor unit.

(11) Ambient temperature display control mode

1. When user set the remote controller to display set temperature (corresponding remote control code: 01), current set temperature will be displayed.

2. Only when remote control signal is switched to indoor ambient temperature display status (corresponding remote control code: 10) from other display status (corresponding remote control code: 00, 01, 11), controller will display indoor ambient temperature for 3s and then turn back to display set temperature.

Under this mode, indoor fan operates at set fan speed. Compressor, outdoor fan, 4-way valve and electric heating tube stop operation. Indoor fan can select to operate at high, medium, low or auto fan speed. Temperature setting range is 16~30°C.

(12) Off-peak energization function:

Adjust compressors minimum stop time. The original minimum stop time is 180s and then we change to:

The time interval between two start-ups of compressor can't be less than $180+T$ s ($0 \leq T \leq 15$). T is the variable of controller. That's to say the minimum stop time of compressor is 180s~195s. Read-in T into memory chip when refurbish the memory chip each time. After power recovery, compressor can only be started up after $180+T$ s at least.

(13) SE control mode

The unit operates at SE status.

(14) X-fan mode

When X-fan function is turned on, after turn off the unit, indoor fan will still operate at low speed for 2min and then the complete unit will be turned off. When x-fan function is turned off, after turn off the unit, the complete unit will be turned off directly.

(15) 8°C heating function

Under heating mode, you can set 8°C heating function by remote controller. The system will operate at 8°C set temperature.

(16) Turbo function

Turbo function can be set under cooling and heating modes. Press Fan Speed button to cancel turbo setting. Turbo function is not available under auto, drying and fan modes.

● Outdoor Unit

1. Cooling mode:

Working condition and process of cooling mode:

① When Tindoor ambient temperature $\geq T_{\text{preset}}$, unit enters into cooling mode. Indoor fan, outdoor fan and compressor start operation. Indoor fan operates according to set fan speed.

② When Tindoor ambient temperature $\leq T_{\text{preset}} - 2^{\circ}\text{C}$, compressor stops operation and outdoor fan will stop 30s later. Indoor fan operates according to set fan speed.

③ When $T_{\text{preset}} - 2^{\circ}\text{C} < \text{Tindoor ambient temperature} < T_{\text{preset}}$, unit operates according to the previous status.

Under cooling mode, 4-way valve is not energized. Temperature setting range is 16~30°C. If compressor stops because of malfunction in cooling mode, indoor fan and swing motor will work according to the original status.

2. Drying mode

(1) Working condition and process of drying mode

① When Tindoor ambient temperature $> T_{\text{preset}}$, unit will be in drying mode. Outdoor fan and compressor start operation while indoor fan will operate at low fan speed.

② When $T_{\text{preset}} - 2^{\circ}\text{C} \leq \text{Tindoor ambient temperature} \leq T_{\text{preset}}$, unit operates according to the previous status.

③ When Tindoor ambient temperature $< T_{\text{preset}} - 2^{\circ}\text{C}$, compressor stops operation and outdoor fan will stop 30s later.

(2) Under drying mode, 4-way valve is not energized. Temperature setting range is 16~30°C.

(3) Protection function: same as in cooling mode.

3. Fan mode

(1) Under this mode, indoor fan can select different fan speed (except Turbo) or auto fan speed. Compressor, outdoor fan and 4-way valve all stop operation.

(2) In fan mode, temperature setting range is 16~30°C.

4. Heating mode

Working condition and process of heating mode:

① When $T_{\text{preset}} - (\text{Tindoor ambient temperature} - T_{\text{compensation}}) \geq 1^{\circ}\text{C}$, unit enters into heating mode. Compressor, outdoor fan and 4-way valve start operation.

② When $-2^{\circ}\text{C} < T_{\text{preset}} - (\text{Tindoor ambient temperature} - T_{\text{compensation}}) < 1^{\circ}\text{C}$, unit operates according to the previous status.

③ When $T_{\text{preset}} - (\text{Tindoor ambient temperature} - T_{\text{compensation}}) \leq -2^{\circ}\text{C}$, compressor stops operation and outdoor fan will stop 30s later. Indoor fan will be in residual-heat blowing status.

④ When unit is turned off under heating mode or changed to other modes from heating mode, 4-way valve will be power-off 2min after compressor stops working (compressor is in operation status under heating mode).

⑤ When Tindoor ambient temperature $> 30^{\circ}\text{C}$, compressor stops operation immediately. Outdoor fan will stop 30s later.

⑥ Under the condition that compressor is turned on, when unit is changed to heating mode from cooling or drying mode, 4-way valve will be energized in 2~3mins delay.

Note: Tcompensation is determined by IDU and ODU. If IDU controls the compensation temperature, then Tcompensation is determined according to the value sent by IDU to ODU; If IDU does not control the compensation temperature, then Tcompensation will default to 3°C by the ODU.

5. Freon recovery mode

After the Freon recovery signal from IDU is received, cooling at rated frequency will be forcibly turned on to recover Freon. Indoor unit will display Fo. If any signal from remote controller is received, unit will exit from Freon recovery mode and indoor unit stops displaying Fo.

6. Compulsory defrosting

If unit is turned on under heating mode and set temperature is 16°C (by remote controller), press “+, -, +, -, +, -” within 5s, unit will enter into compulsory defrosting mode and send the signal to ODU. When the compulsory defrosting signal from ODU is received, IDU will exit from the compulsory defrosting mode and stop sending the signal to ODU.

After ODU receives the compulsory defrosting code, it will start compulsory defrosting. Defrosting frequency and opening angle will be the same as in normal defrosting mode. When compulsory defrosting is finished, the complete unit resumes original status.

7. Auto mode

Auto mode is determined by controller of IDU. See IDU logic for details.

8. 8°C heating

Set temperature is 8°C. Display board of IDU displays 8°C. Under this mode, “Cold air prevention” function is shielded.

If compressor is operating under this mode, fan speed will adjust according to auto fan speed; if compressor stops operation under this mode, indoor fan will be in residual-heat blowing status.

When power on, communication light will be blinking in a normal way (after receiving a group of correct signals, blinking stops for 0.2s~0.3s). If there's no communication, communication light will be always on. If other ODU has malfunction, communication light will be on for 1s and off for 1s in a circular way.

Part II : Installation and Maintenance

7. Notes for Installation and Maintenance

Safety Precautions: Important!

Please read the safety precautions carefully before installation and maintenance.

The following contents are very important for installation and maintenance.

Please follow the instructions below.

- The installation or maintenance must accord with the instructions.
- Comply with all national electrical codes and local electrical codes.
- Pay attention to the warnings and cautions in this manual.
- All installation and maintenance shall be performed by distributor or qualified person.
- All electric work must be performed by a licensed technician according to local regulations and the instructions given in this manual.
- Be caution during installation and maintenance. Prohibit incorrect operation to prevent electric shock, casualty and other accidents.



Warnings

Electrical Safety Precautions:

1. Cut off the power supply of air conditioner before checking and maintenance.
2. The air condition must apply specialized circuit and prohibit share the same circuit with other appliances.
3. The air conditioner should be installed in suitable location and ensure the power plug is touchable.
4. Make sure each wiring terminal is connected firmly during installation and maintenance.
5. Have the unit adequately grounded. The grounding wire can't be used for other purposes.
6. Must apply protective accessories such as protective boards, cable-cross loop and wire clip.
7. The live wire, neutral wire and grounding wire of power supply must be corresponding to the live wire, neutral wire and grounding wire of the air conditioner.
8. The power cord and power connection wires can't be pressed by hard objects.
9. If power cord or connection wire is broken, it must be replaced by a qualified person.

10. If the power cord or connection wire is not long enough, please get the specialized power cord or connection wire from the manufacture or distributor. Prohibit prolong the wire by yourself.
11. For the air conditioner without plug, an air switch must be installed in the circuit. The air switch should be all-pole parting and the contact parting distance should be more than 3mm.
12. Make sure all wires and pipes are connected properly and the valves are opened before energizing.
13. Check if there is electric leakage on the unit body. If yes, please eliminate the electric leakage.
14. Replace the fuse with a new one of the same specification if it is burnt down; dont replace it with a cooper wire or conducting wire.
15. If the unit is to be installed in a humid place, the circuit breaker must be installed.

Installation Safety Precautions:

1. Select the installation location according to the requirement of this manual.(See the requirements in installation part)
2. Handle unit transportation with care; the unit should not be carried by only one person if it is more than 20kg.
3. When installing the indoor unit and outdoor unit, a sufficient fixing bolt must be installed; make sure the installation support is firm.
4. Ware safety belt if the height of working is above 2m.
5. Use equipped components or appointed components during installation.
6. Make sure no foreign objects are left in the unit after finishing installation.

Refrigerant Safety Precautions:

When refrigerant leaks or requires discharge during installation, maintenance, or disassembly, it should be handled by certified professionals or otherwise in compliance with local laws and regulations.

1. Avoid contact between refrigerant and fire as it generates poisonous gas; Prohibit prolong the connection pipe by welding.
2. Apply specified refrigerant only. Never have it mixed with any other refrigerant. Never have air remain in the refrigerant line as it may lead to rupture or other hazards.
3. Make sure no refrigerant gas is leaking out when installation is completed.
4. If there is refrigerant leakage, please take sufficient measure to minimize the density of refrigerant.
5. Never touch the refrigerant piping or compressor without wearing glove to avoid scald or frostbite.

Improper installation may lead to fire hazard, explosion, electric shock or injury.

Safety Precautions for Installing and Relocating the Unit:

To ensure safety, please be mindful of the following precautions.



Warnings

1. When installing or relocating the unit, be sure to keep the refrigerant circuit free from air or substances other than the specified refrigerant.

Any presence of air or other foreign substance in the refrigerant circuit will cause system pressure rise or compressor rupture, resulting in injury.

2. When installing or moving this unit, do not charge the refrigerant which is not comply with that on the nameplate or unqualified refrigerant.

Otherwise, it may cause abnormal operation, wrong action, mechanical malfunction or even series safety accident.

3. When refrigerant needs to be recovered during relocating or repairing the unit, be sure that the unit is running in cooling mode. Then, fully close the valve at high pressure side (liquid valve). About 30-40 seconds later, fully close the valve at low pressure side (gas valve), immediately stop the unit and disconnect power. Please note that the time for refrigerant recovery should not exceed 1 minute.

If refrigerant recovery takes too much time, air may be sucked in and cause pressure rise or compressor rupture, resulting in injury.

4. During refrigerant recovery, make sure that liquid valve and gas valve are fully closed and power is disconnected before detaching the connection pipe.

If compressor starts running when stop valve is open and connection pipe is not yet connected, air will be sucked in and cause pressure rise or compressor rupture, resulting in injury.

5. When installing the unit, make sure that connection pipe is securely connected before the compressor starts running.

If compressor starts running when stop valve is open and connection pipe is not yet connected, air will be sucked in and cause pressure rise or compressor rupture, resulting in injury.

6. Prohibit installing the unit at the place where there may be leaked corrosive gas or flammable gas.

If there leaked gas around the unit, it may cause explosion and other accidents.

7. Do not use extension cords for electrical connections. If the electric wire is not long enough, please contact a local service center authorized and ask for a proper electric wire.

Poor connections may lead to electric shock or fire.

8. Use the specified types of wires for electrical connections between the indoor and outdoor units. Firmly clamp the wires so that their terminals receive no external stresses.

Electric wires with insufficient capacity, wrong wire connections and insecure wire terminals may cause electric shock or fire.

Safety Precautions for Refrigerant

- To realize the function of the air conditioner unit, a special refrigerant circulates in the system. The used refrigerant is the fluoride R32, which is specially cleaned. The refrigerant is flammable and odorless. Furthermore, it can lead to explosion under certain conditions. But the flammability of the refrigerant is very low. It can be ignited only by fire.

- Compared to common refrigerants, R32 is a nonpolluting refrigerant with no harm to the ozone layer. The influence upon the greenhouse effect is also lower. R32 has got very good thermodynamic features which lead to a really high energy efficiency. The units therefore need a less filling.

WARNING:

- Do not use means to accelerate the defrosting process or to clean, other than those recommended by the manufacturer.

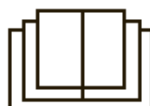
Should repair be necessary, contact your nearest authorized Service Centre. Any repairs carried out by unqualified personnel may be dangerous. The appliance shall be stored in a room without continuously operating ignition sources. (for example: open flames, an operating gas appliance or an operating electric heater.)

- Do not pierce or burn.

- Appliance shall be installed, operated and stored in a room with a floor area larger than Xm^2 . (Please refer to table "a" in section of "Safety operation of flammable refrigerant" for Space X.)

- Appliance filled with flammable gas R32. For repairs, strictly follow manufacturers instructions only. Be aware that refrigerants not contain odour.

- Read specialists manual.



Safety Operation of Flammable Refrigerant

Qualification requirement for installation and maintenance man

- All the work men who are engaging in the refrigeration system should bear the valid certification awarded by the authoritative organization and the qualification for dealing with the refrigeration system recognized by this industry. If it needs other technician to maintain and repair the appliance, they should be supervised by the person who bears the qualification for using the flammable refrigerant.
- It can only be repaired by the method suggested by the equipments manufacturer.

Installation notes

- The air conditioner is not allowed to use in a room that has running fire (such as fire source, working coal gas ware, operating heater).
- It is not allowed to drill hole or burn the connection pipe.
- The air conditioner must be installed in a room that is larger than the minimum room area. The minimum room area is shown on the nameplate or following table a.
- Leak test is a must after installation.

table a - Minimum room area(m²)

Minimum room area(m ²)	Charge amount (kg)	≤1.2	1.3	1.4	1.5	1.6	1.7	1.8	1.9	2	2.1	2.2	2.3	2.4	2.5
	wall mounted	/	1.6	1.9	2.1	2.4	2.8	3.1	3.4	3.8	4.2	4.6	5	5.5	6

Maintenance notes

- Check whether the maintenance area or the room area meet the requirement of the nameplate.
 - Its only allowed to be operated in the rooms that meet the requirement of the nameplate.
- Check whether the maintenance area is well-ventilated.
 - The continuous ventilation status should be kept during the operation process.
- Check whether there is fire source or potential fire source in the maintenance area.
 - The naked flame is prohibited in the maintenance area; and the “no smoking” warning board should be hanged.
- Check whether the appliance mark is in good condition.
 - Replace the vague or damaged warning mark.

Welding

- If you should cut or weld the refrigerant system pipes in the process of maintaining, please follow the steps as below:
 - a. Shut down the unit and cut power supply
 - b. Eliminate the refrigerant
 - c. Vacuuming
 - d. Clean it with N₂ gas
 - e. Cutting or welding
 - f. Carry back to the service spot for welding
- Make sure that there isnt any naked flame near the outlet of the vacuum pump and its well-ventilated.
- The refrigerant should be recycled into the specialized storage tank.

Filling the refrigerant

- Use the refrigerant filling appliances specialized for R32. Make sure that different kinds of refrigerant wont contaminate with each other.
- The refrigerant tank should be kept upright at the time of filling refrigerant.
- Stick the label on the system after filling is finished (or havent finished).
- Dont overfilling.
- After filling is finished, please do the leakage detection before test running; another time of leak detection should be done when its removed.

Safety instructions for transportation and storage

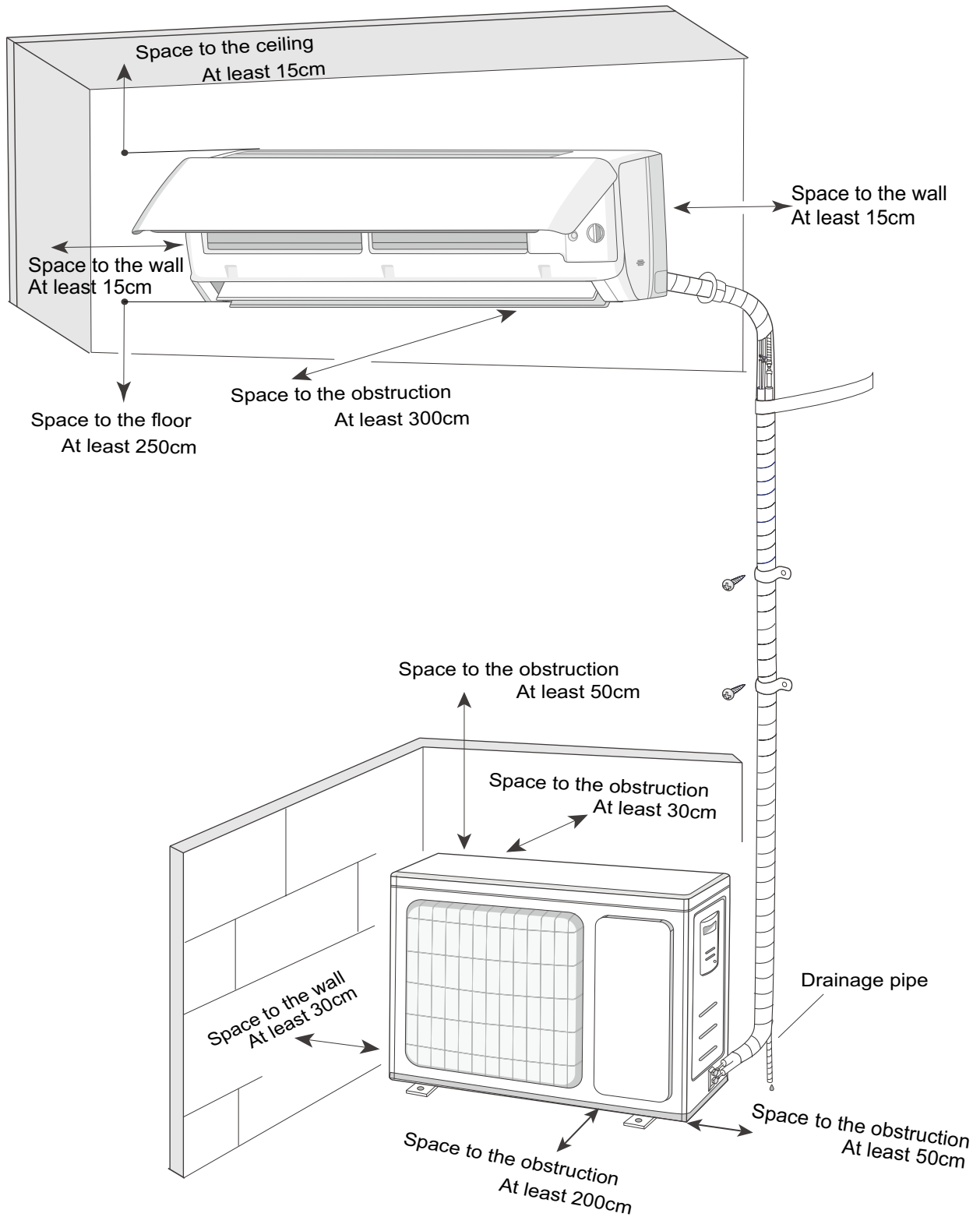
- Please use the flammable gas detector to check before unload and open the container.
- No fire source and smoking.
- According to the local rules and laws.

Main Tools for Installation and Maintenance

<p>1. Level meter, measuring tape</p> 	<p>2. Screw driver</p> 	<p>3. Impact drill, drill head, electric drill</p> 
<p>4. Electroprobe</p> 	<p>5. Universal meter</p> 	<p>6. Torque wrench, open-end wrench, inner hexagon spanner</p> 
<p>7. Electronic leakage detector</p> 	<p>8. Vacuum pump</p> 	<p>9. Pressure meter</p> 
<p>10. Pipe pliers, pipe cutter</p> 	<p>11. Pipe expander, pipe bender</p> 	<p>12. Soldering appliance, refrigerant container, Electronic Scale</p> 

8. Installation

8.1 Installation Dimension Diagram



8.2 Installation Parts-checking

No.	Name	No.	Name
1	Indoor unit	8	Sealing gum
2	Outdoor unit	9	Wrapping tape
3	Connection pipe	10	Support of outdoor unit
4	Drainage pipe	11	Fixing screw
5	Wall-mounting frame	12	Drainage plug(cooling and heating unit)
6	Connecting cable(power cord)	13	Owners manual, remote controller
7	Wall pipe		

⚠ Note:

1. Please contact the local agent for installation.
2. Dont use unqualified power cord.

8.3 Selection of Installation Location

1. Basic Requirement:

Installing the unit in the following places may cause malfunction. If it is unavoidable, please consult the local dealer:

- (1) The place with strong heat sources, vapors, flammable or explosive gas, or volatile objects spread in the air.
- (2) The place with high-frequency devices (such as welding machine, medical equipment).
- (3) The place near coast area.
- (4) The place with oil or fumes in the air.
- (5) The place with sulfureted gas.
- (6) Other places with special circumstances.
- (7) The appliance shall not be installed in the laundry.
- (8) Its not allowed to be installed on the unstable or motive base structure (such as truck) or in the corrosive environment (such as chemical factory).

2. Indoor Unit:

- (1) There should be no obstruction near air inlet and air outlet.
- (2) Select a location where the condensation water can be dispersed easily and wont affect other people.
- (3) Select a location which is convenient to connect the outdoor unit and near the power socket.
- (4) Select a location which is out of reach for children.
- (5) The location should be able to withstand the weight of indoor unit and wont increase noise and vibration.
- (6) The appliance must be installed 2.5m above floor.
- (7) Dont install the indoor unit right above the electric appliance.
- (8) Please try your best to keep way from fluorescent lamp.

3. Outdoor Unit:

- (1) Select a location where the noise and outflow air emitted by the outdoor unit will not affect neighborhood.
- (2) The location should be well ventilated and dry, in which the outdoor unit wont be exposed directly to sunlight or strong wind.
- (3) The location should be able to withstand the weight of outdoor unit.
- (4) Make sure that the installation follows the requirement of installation dimension diagram.
- (5) Select a location which is out of reach for children and far away from animals or plants.If it is unavoidable, please add fence for safety purpose.

8.4 Requirements for electric connection

1. Safety Precaution

- (1) Must follow the electric safety regulations when installing the unit.
- (2) According to the local safety regulations, use qualified power supply circuit and air switch.
- (3) Make sure the power supply matches with the requirement of air conditioner. Unstable power supply or incorrect wiring may result in electric shock, fire hazard or malfunction. Please install proper power supply cables before using the air conditioner.
- (4) Properly connect the live wire, neutral wire and grounding wire of power socket.
- (5) Be sure to cut off the power supply before proceeding any work related to electricity and safety.
- (6) Do not put through the power before finishing installation.
- (7) If the supply cord is damaged, it must be replaced by the manufacturer, its service agent or similarly qualified persons in order to avoid a hazard.
- (8) The temperature of refrigerant circuit will be high, please keep the interconnection cable away from the copper tube.
- (9) The appliance shall be installed in accordance with national wiring regulations.

2. Grounding Requirement:

- (1) The air conditioner is first class electric appliance. It must be properly grounding with specialized grounding device by a professional. Please make sure it is always grounded effectively, otherwise it may cause electric shock.
- (2) The yellow-green wire in air conditioner is grounding wire, which can't be used for other purposes.
- (3) The grounding resistance should comply with national electric safety regulations.
- (4) The appliance must be positioned so that the plug is accessible.
- (5) An all-pole disconnection switch having a contact separation of at least 3mm in all poles should be connected in fixed wiring. For models with a power plug, make sure the plug is within reach after installation.
- (6) Including an air switch with suitable capacity, please note the following table. Air switch should be included magnet buckle and heating buckle function, it can protect the circuit-short and overload. (Caution: please do not use the fuse only for protect the circuit)

Air-conditioner	Air switch capacity	Power cord
09/12K	10A	3G1.0
18/24K	16A	3G1.5

8.5 Installation of Indoor Unit

1. Choosing Installation location

Recommend the installation location to the client and then confirm it with the client.

2. Install Wall-mounting Frame

- (1) Hang the wall-mounting frame on the wall; adjust it in horizontal position with the level meter and then point out the screw fixing holes on the wall.
- (2) Drill the screw fixing holes on the wall with impact drill (the specification of drill head should be the same as the plastic expansion particle) and then fill the plastic expansion particles

in the holes.

(3) Fix the wall-mounting frame on the wall with tapping screws and then check if the frame is firmly installed by pulling the frame. If the plastic expansion particle is loose, please drill another fixing hole nearby.

3. Install Wall-mounting Frame

(1) Choose the position of piping hole according to the direction of outlet pipe. The position of piping hole should be a little lower than the wall-mounted frame. (As show in Fig.1)

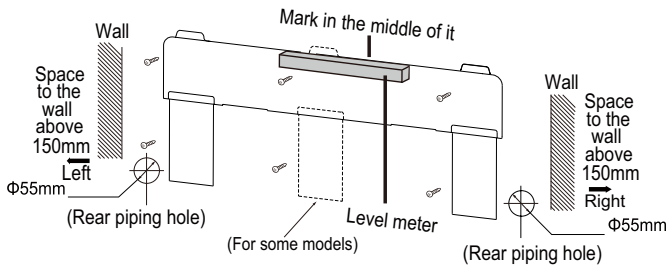


Fig.1

(2) Open a piping hole with the diameter of $\Phi 55\text{mm}$ on the selected outlet pipe position. In order to drain smoothly, slant the piping hole on the wall slightly downward to the outdoor side with the gradient of $5\text{-}10^\circ$. (As show in Fig.2)

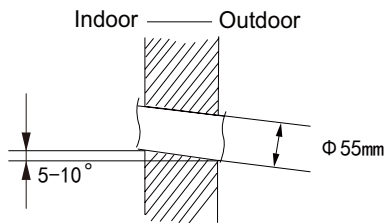


Fig.2

⚠ Note:

(1) Pay attention to dust prevention and take relevant safety measures when opening the hole.

4. Outlet Pipe

(1) The pipe can be led out in the direction of right, rear right, left or rear left. (As show in Fig.3)

(2) When selecting leading out the pipe from left or right, please cut off the corresponding hole on the bottom case. (As show in Fig.4)

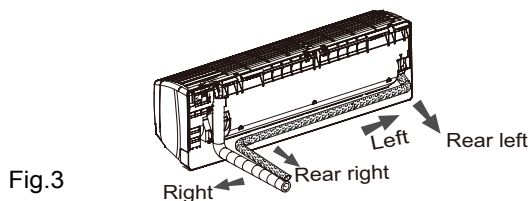


Fig.3

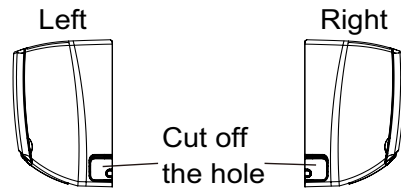


Fig.4

5. Connect the Pipe of Indoor Unit

(1) Aim the pipe joint at the corresponding bellmouth. (As show in Fig.5)

(2) Pretightening the union nut with hand.

(3) Adjust the torque force by referring to the following sheet. Place the open-end wrench on the pipe joint and place the torque wrench on the union nut. Tighten the union nut with torque wrench. (As show in Fig.6)

(4) Wrap the indoor pipe and joint of connection pipe with insulating pipe, and then wrap it with tape. (As show in Fig.7)

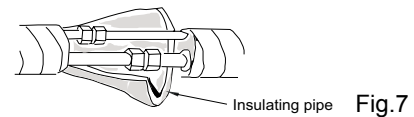
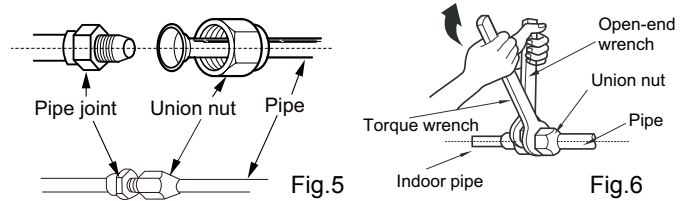


Fig.7

Refer to the following table for wrench moment of force:

Piping size	Tightening torque(N·m)
1/4	15~20
3/8	30~40
1/2	45~55
5/8	60~65
3/4	70~75

6. Install Drain Hose

(1) Connect the drain hose to the outlet pipe of indoor unit. (As show in Fig.8)

(2) Bind the joint with tape. (As show in Fig.9)

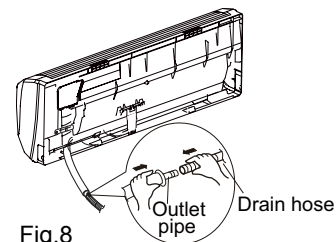


Fig.8

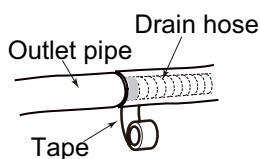


Fig.9

⚠ Note:

- (1) Add insulating pipe in the indoor drain hose in order to prevent condensation.
- (2) The plastic expansion particles are not provided. (As show in Fig.10)

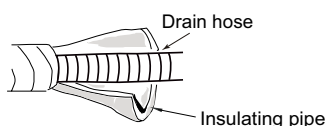


Fig.10

7. Connect Wire of Indoor Unit

- (1) Open the panel, remove the screw on the wiring cover and then take down the cover.(As show in Fig.11)

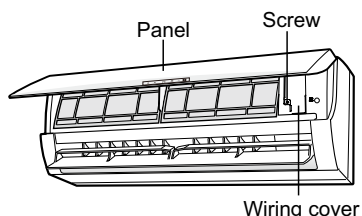


Fig.11

- (2) Make the power connection wire go through the cable-cross hole at the back of indoor unit and then pull it out from the front side.(As show in Fig.12)

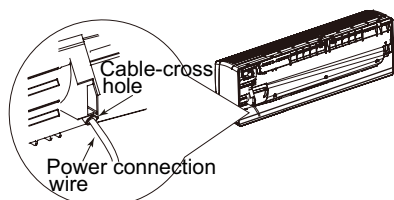
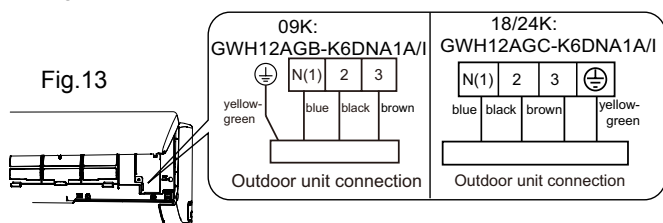


Fig.12

- (3) Remove the wire clip; connect the power connection wire to the wiring terminal according to the color; tighten the screw and then fix the power connection wire with wire clip.(As show in Fig.13)



Note: the wiring board is for reference only, please refer to the actual one.

- (4) Put wiring cover back and then tighten the screw.
- (5) Close the panel.

⚠ Note:

- (1) All wires of indoor unit and outdoor unit should be connected by a professional.
- (2) If the length of power connection wire is insufficient, please contact the supplier for a new one. Avoid extending the wire by yourself.
- (3) For the air conditioner with plug, the plug should be reachable after finishing installation.
- (4) For the air conditioner without plug, an air switch must be installed in the line. The air switch should be all-pole parting and the contact parting distance should be more than 3mm.

8. Bind Up Pipe

- (1) Bind up the connection pipe, power cord and drain hose with the band.(As show in Fig.14)
- (2) Reserve a certain length of drain hose and power cord for installation when binding them. When binding to a certain degree, separate the indoor power and then separate the drain hose.(As show in Fig.15)
- (3) Bind them evenly.
- (4) The liquid pipe and gas pipe should be bound separately at the end.

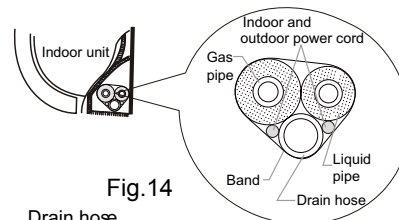


Fig.14

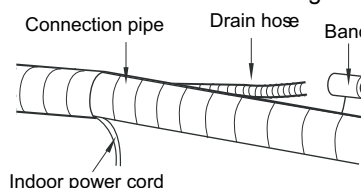


Fig.15

⚠ Note:

- (1) The power cord and control wire can't be crossed or winding.
- (2) The drain hose should be bound at the bottom.

9. Hang the Indoor Unit

- (1) Put the bound pipes in the wall pipe and then make them pass through the wall hole.
- (2) Hang the indoor unit on the wall-mounting frame.
- (3) Stuff the gap between pipes and wall hole with sealing gum.
- (4) Fix the wall pipe.(As show in Fig.16)
- (5) Check if the indoor unit is installed firmly and closed to the wall.(As show in Fig.17)

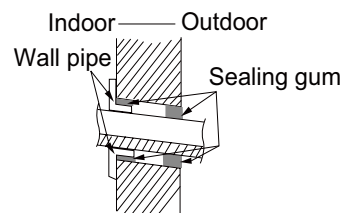


Fig.16

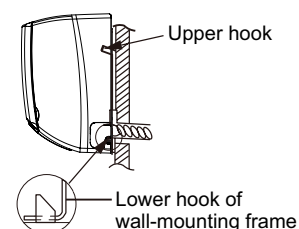


Fig.17

⚠ Note:

Do not bend the drain hose too excessively in order to prevent blocking.

8.6 Installation of Outdoor Unit

1. Fix the Support of Outdoor Unit(Select it according to the actual installation situation)

- (1) Select installation location according to the house structure.
- (2) Fix the support of outdoor unit on the selected location with expansion screws.

⚠ Note:

- (1) Take sufficient protective measures when installing the outdoor unit.
- (2) Make sure the support can withstand at least four times the unit weight.
- (3) The outdoor unit should be installed at least 3cm above the floor in order to install drain joint.(As show in Fig.18)
- (4) For the unit with cooling capacity of 2300W~5000W, 6 expansion screws are needed; for the unit with cooling capacity of 6000W~8000W, 8 expansion screws are needed; for the unit with cooling capacity of 10000W~16000W, 10 expansion screws are needed.

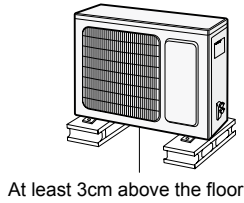


Fig.18

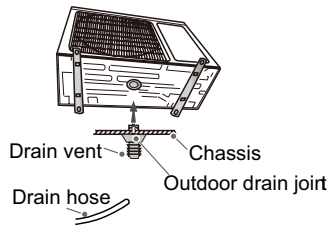


Fig.19

2. Install Drain Joint(Only for cooling and heating unit)

- (1) Connect the outdoor drain joint into the hole on the chassis.
 - (2) Connect the drain hose into the drain vent.
- (As show in Fig.19)

3. Fix Outdoor Unit

- (1) Place the outdoor unit on the support.
 - (2) Fix the foot holes of outdoor unit with bolts.
- (As show in Fig.20)

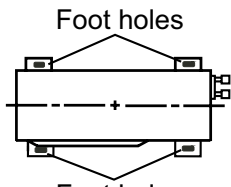


Fig.20

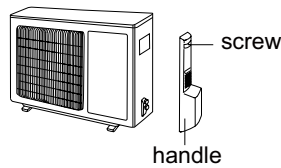


Fig.21

4. Connect Indoor and Outdoor Pipes

- (1) Remove the screw on the right handle of outdoor unit and then remove the handle.(As show in Fig.21)
- (2) Remove the screw cap of valve and aim the pipe joint at the bellmouth of pipe.(As show in Fig.22)

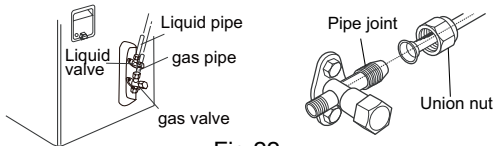


Fig.22

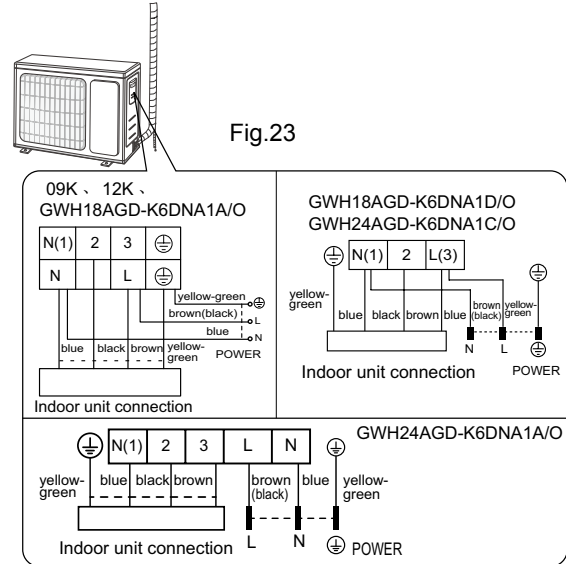
- (3) Pretightening the union nut with hand.
- (4) Tighten the union nut with torque wrench .

Refer to the following table for wrench moment of force:

Piping size	Tightening torque(N·m)
1/4	15~20
3/8	30~40
1/2	45~55
5/8	60~65
3/4	70~75

5. Connect Outdoor Electric Wire

- (1) Remove the wire clip; connect the power connection wire to the wiring terminal according to the color; fix it with screws.(As show in Fig.23)



- (2) Fix the power connection wire clip.

⚠ Note:

- (1) After tightening the screw, pull the power cord slightly to check if it is firm.
- (2) Never cut the power connection wire to prolong or shorten the distance.

6. Neaten the Pipes

- (1) The pipes should be placed along the wall, bent reasonably and hidden possibly. Min. semidiameter of bending the pipe is 10cm.
- (2) If the outdoor unit is higher than the wall hole, you must set a U-shaped curve in the pipe before pipe goes into the room, in order to prevent rain from getting into the room.(As show in Fig.24)

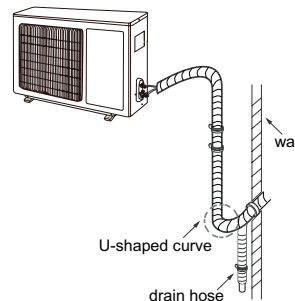


Fig.24

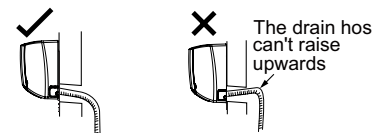
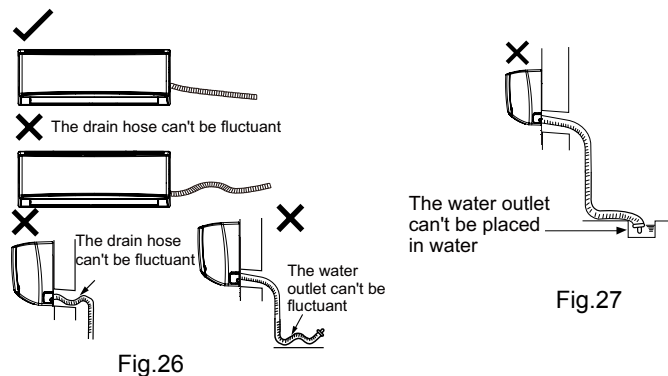


Fig.25

⚠ Note:

- (1) The through-wall height of drain hose shouldnt be higher than the outlet pipe hole of indoor unit.(As show in Fig.25)
- (2) Slant the drain hose slightly downwards. The drain hose can't be curved, raised and fluctuant, etc.(As show in Fig.26)
- (3) The water outlet can't be placed in water in order to drain smoothly.(As show in Fig.27)



8.7 Vacuum Pumping and Leak Detection

1. Use Vacuum Pump

- (1) Remove the valve caps on the liquid valve and gas valve and the nut of refrigerant charging vent.
- (2) Connect the charging hose of piezometer to the refrigerant charging vent of gas valve and then connect the other charging hose to the vacuum pump.
- (3) Open the piezometer completely and operate for 10-15min to check if the pressure of piezometer remains in -0.1MPa.
- (4) Close the vacuum pump and maintain this status for 1-2min to check if the pressure of piezometer remains in -0.1MPa. If the pressure decreases, there may be leakage.
- (5) Remove the piezometer, open the valve core of liquid valve and gas valve completely with inner hexagon spanner.
- (6) Tighten the screw caps of valves and refrigerant charging vent.(As show in Fig.28)

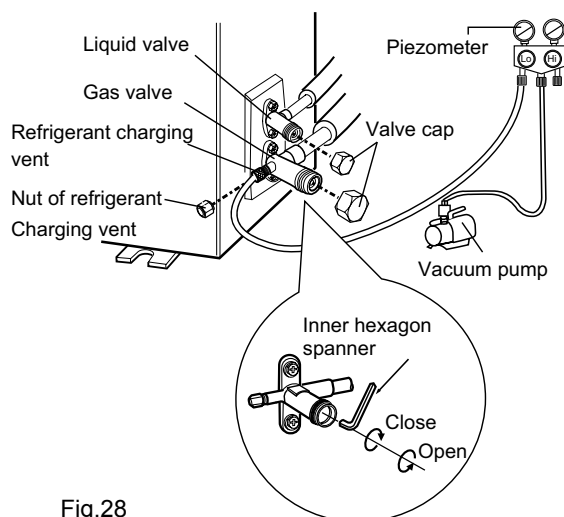


Fig.28

2. Leakage Detection

- (1) With leakage detector:
Check if there is leakage with leakage detector.
- (2) With soap water:
If leakage detector is not available, please use soap water for leakage detection. Apply soap water at the suspected position and keep the soap water for more than 3min. If there are air bubbles coming out of this position, theres a leakage.

8.8 Check after Installation and Test Operation

1. Check after Installation

Check according to the following requirement after finishing installation.

NO.	Items to be checked	Possible malfunction
1	Has the unit been installed firmly?	The unit may drop, shake or emit noise.
2	Have you done the refrigerant leakage test?	It may cause insufficient cooling (heating) capacity.
3	Is heat insulation of pipeline sufficient?	It may cause condensation and water dripping.
4	Is water drained well?	It may cause condensation and water dripping.
5	Is the voltage of power supply according to the voltage marked on the nameplate?	It may cause malfunction or damage the parts.
6	Is electric wiring and pipeline installed correctly?	It may cause malfunction or damage the parts.
7	Is the unit grounded securely?	It may cause electric leakage.
8	Does the power cord follow the specification?	It may cause malfunction or damage the parts.
9	Is there any obstruction in air inlet and air outlet?	It may cause insufficient cooling (heating) capacity.
10	The dust and sundries caused during installation are removed?	It may cause malfunction or damaging the parts.
11	The gas valve and liquid valve of connection pipe are open completely?	It may cause insufficient cooling (heating) capacity.
12	Is the inlet and outlet of piping hole been covered?	It may cause insufficient cooling (heating) capacity or waster electricity.

2. Test Operation

- (1) Preparation of test operation
 - The client approves the air conditioner installation.
 - Specify the important notes for air conditioner to the client.
- (2) Method of test operation
 - Put through the power, press ON/OFF button on the remote controller to start operation.
 - Press MODE button to select AUTO, COOL, DRY, FAN and HEAT to check whether the operation is normal or not.
 - If the ambient temperature is lower than 16℃ , the air conditioner can't start cooling.

9. Maintenance

9.1 Error Code List

No.	Malfunction Name	Display Method of Indoor Unit			A/C status	Possible Causes	
		Dual-8 Code Display	Indicator Display (during blinking, ON 0.5s and OFF 0.5s)				
			Operation Indicator	Cool Indicator	Heating Indicator		
1	High pressure protection of system	E1				During cooling and drying operation, except indoor fan operates, all loads stop operation. During heating operation, the complete unit stops.	Possible reasons: 1. Refrigerant was superabundant; 2. Poor heat exchange (including filth blockage of heat exchanger and bad radiating environment); Ambient temperature is too high.
2	Low pressure protection of system	E3				The Dual-8 Code Display will show E3 until the low pressure switch stop operation.	1.Low-pressure protection 2.Low-pressure protection of system 3.Low-pressure protection of compressor
3	High discharge temperature protection of compressor	E4				During cooling and drying operation, compressor and outdoor fan stop while indoor fan operates. During heating operation, all loads stop.	Please refer to the malfunction analysis (discharge protection, overload).
4	Overcurrent protection	E5				During cooling and drying operation, compressor and outdoor fan stop while indoor fan operates. During heating operation, all loads stop.	1. Supply voltage is unstable; 2. Supply voltage is too low and load is too high; 3. Evaporator is dirty.
5	Communication Malfunction	E6				During cooling operation, compressor stops while indoor fan motor operates. During heating operation, the complete unit stops.	Refer to the corresponding malfunction analysis.
6	High temperature resistant protection	E8				During cooling operation: compressor will stop while indoor fan will operate. During heating operation, the complete unit stops.	Refer to the malfunction analysis (overload, high temperature resistant).
7	EEPROM malfunction	EE				During cooling and drying operation, compressor will stop while indoor fan will operate; During heating operation, the complete unit will stop	Replace outdoor control panel AP1
8	Limit/decrease frequency due to high temperature of module	EU				All loads operate normally, while operation frequency for compressor is decreased	Discharging after the complete unit is de-energized for 20mins, check whether the thermal grease on IPM Module of outdoor control panel AP1 is sufficient and whether the radiator is inserted tightly. If its no use, please replace control panel AP1.
9	Malfunction protection of jumper cap	C5				Wireless remote receiver and button are effective, but can not dispose the related command	1. No jumper cap insert on mainboard. 2. Incorrect insert of jumper cap. 3. Jumper cap damaged. 4. Abnormal detecting circuit of mainboard.

No.	Malfunction Name	Display Method of Indoor Unit			A/C status	Possible Causes	
		Dual-8 Code Display	Indicator Display (during blinking, ON 0.5s and OFF 0.5s)				
			Operation Indicator	Cool Indicator	Heating Indicator		
10	Gathering refrigerant	F0				When the outdoor unit receive signal of Gathering refrigerant ,the system will be forced to run under cooling mode for gathering refrigerant	Nominal cooling mode
11	Indoor ambient temperature sensor is open/short circuited	F1				During cooling and drying operation, indoor unit operates while other loads will stop; during heating operation, the complete unit will stop operation.	<ol style="list-style-type: none"> 1. Loosening or bad contact of indoor ambient temp. sensor and mainboard terminal. 2. Components in mainboard fell down leads short circuit. 3. Indoor ambient temp. sensor damaged.(check with sensor resistance value chart) 4. Mainboard damaged.
12	Indoor evaporator temperature sensor is open/short circuited	F2				AC stops operation once reaches the setting temperature. Cooling, drying: internal fan motor stops operation while other loads stop operation; heating: AC stop operation	<ol style="list-style-type: none"> 1. Loosening or bad contact of Indoor evaporator temp. sensor and mainboard terminal. 2. Components on the mainboard fall down leads short circuit. 3. Indoor evaporator temp. sensor damaged.(check temp. sensor value chart for testing) 4. Mainboard damaged.
13	Outdoor ambient temperature sensor is open/short circuited	F3				During cooling and drying operating, compressor stops while indoor fan operates; During heating operation, the complete unit will stop operation	Outdoor temperature sensor hasnt been connected well or is damaged. Please check it by referring to the resistance table for temperature sensor)
14	Outdoor condenser temperature sensor is open/short circuited	F4				During cooling and drying operation, compressor stops while indoor fan will operate; During heating operation, the complete unit will stop operation.	Outdoor temperature sensor hasnt been connected well or is damaged. Please check it by referring to the resistance table for temperature sensor)
16	Outdoor discharge temperature sensor is open/short circuited	F5				During cooling and drying operation, compressor will sop after operating for about 3 mins, while indoor fan will operate; During heating operation, the complete unit will stop after operating for about 3 mins.	<ol style="list-style-type: none"> 1.Outdoor temperature sensor hasnt been connected well or is damaged. Please check it by referring to the resistance table for temperature sensor) 2.The head of temperature sensor hasnt been inserted into the copper tube
17	Limit/ decrease frequency due to overload	F6				All loads operate normally, while operation frequency for compressor is decreased	Refer to the malfunction analysis (overload, high temperature resistant)
18	Decrease frequency due to overcurrent	F8				All loads operate normally, while operation frequency for compressor is decreased	The input supply voltage is too low; System pressure is too high and overload

No.	Malfunction Name	Display Method of Indoor Unit			A/C status	Possible Causes
		Dual-8 Code Display	Indicator Display (during blinking, ON 0.5s and OFF 0.5s)			
			Operation Indicator	Cool Indicator	Heating Indicator	
19	Decrease frequency due to high air discharge	F9				All loads operate normally, while operation frequency for compressor is decreased Overload or temperature is too high; Refrigerant is insufficient; Malfunction of electric expansion valve (EKV)
20	Limit/ decrease frequency due to antifreezing	FH				All loads operate normally, while operation frequency for compressor is decreased Poor air-return in indoor unit or fan speed is too low
21	Voltage for DC bus-bar is too high	PH				During cooling and drying operation, compressor will stop while indoor fan will operate; During heating operation, the complete unit will stop operation. 1. Measure the voltage of position L and N on wiring board (XT), if the voltage is higher than 265VAC, turn on the unit after the supply voltage is increased to the normal range. 2.If the AC input is normal, measure the voltage of electrolytic capacitor C on control panel (AP1), if its normal, theres malfunction for the circuit, please replace the control panel (AP1)
22	Voltage of DC bus-bar is too low	PL				During cooling and drying operation, compressor will stop while indoor fan will operate; During heating operation, the complete unit will stop 1. Measure the voltage of position L and N on wiring board (XT), if the voltage is higher than 150VAC, turn on the unit after the supply voltage is increased to the normal range. 2.If the AC input is normal, measure the voltage of electrolytic capacitor C on control panel (AP1), if its normal, theres malfunction for the circuit, please replace the control panel (AP1)
23	Compressor Min frequency in test state	P0				Showing during min. cooling or min. heating test
24	Compressor rated frequency in test state	P1				Showing during nominal cooling or nominal heating test
25	Compressor maximum frequency in test state	P2				Showing during max. cooling or max. heating test

No.	Malfunction Name	Display Method of Indoor Unit			A/C status	Possible Causes
		Dual-8 Code Display	Indicator Display (during blinking, ON 0.5s and OFF 0.5s)			
			Operation Indicator	Cool Indicator	Heating Indicator	
26	Compressor intermediate frequency in test state	P3				Showing during middle cooling or middle heating test
27	Overcurrent protection of phase current for compressor	P5				During cooling and drying operation, compressor will stop while indoor fan will operate; During heating operation, the complete unit will stop operation.
28	Charging malfunction of capacitor	PU				During cooling and drying operation, compressor will stop while indoor fan will operate; During heating operation, the complete unit will stop
29	Malfunction of module temperature sensor circuit	P7				During cooling and drying operation, compressor will stop while indoor fan will operate; During heating operation, the complete unit will stop
30	Module high temperature protection	P8				During cooling operation, compressor will stop while indoor fan will operate; During heating operation, the complete unit will stop
31	Overload protection for compressor	H3				During cooling and drying operation, compressor will stop while indoor fan will operate; During heating operation, the complete unit will stop operation.
32	IPM protection	H5				During cooling and drying operation, compressor will stop while indoor fan will operate; During heating operation, the complete unit will stop operation.
33	Internal motor (fan motor) do not operate	H6				Internal fan motor, external fan motor, compressor and electric heater stop operation,guide louver stops at present location.

No.	Malfunction Name	Display Method of Indoor Unit				A/C status	Possible Causes
		Dual-8 Code Display	Indicator Display (during blinking, ON 0.5s and OFF 0.5s)				
			Operation Indicator	Cool Indicator	Heating Indicator		
34	Desynchronizing of compressor	H7				During cooling and drying operation, compressor will stop while indoor fan will operate; During heating operation, the complete unit will stop operation.	Refer to the malfunction analysis (IPM protection, loss of synchronism protection and overcurrent protection of phase current for compressor.
35	Outdoor DC fan motor malfunction	L3				Outdoor DC fan motor malfunction lead to compressor stop operation,	DC fan motor malfunction or system blocked or the connector loosed
36	power protection	L9				compressor stop operation and Outdoor fan motor will stop 30s latter , 3 minutes latter fan motor and compressor will restart	To protect the electrical components when detect high power
37	Indoor unit and outdoor unit doesnt match	LP				compressor and Outdoor fan motor can't work	Indoor unit and outdoor unit doesnt match
38	Failure start-up	LC				During cooling and drying operation, compressor will stop while indoor fan will operate; During heating operation, the complete unit will stop operation.	Refer to the malfunction analysis
39	Anti-freezing protection for evaporator	E2					Not the error code. It's the status code for the operation.
40	Cold air prevention protection	E9					Not the error code. It's the status code for the operation.
41	Malfunction of phase current detection circuit for compressor	U1				During cooling and drying operation, compressor will stop while indoor fan will operate; During heating operation, the complete unit will stop	Replace outdoor control panel AP1
42	Malfunction of voltage dropping for DC bus-bar	U3				During cooling and drying operation, compressor will stop while indoor fan will operate; During heating operation, the complete unit will stop	Supply voltage is unstable
43	Malfunction of complete units current detection	U5				During cooling and drying operation, the compressor will stop while indoor fan will operate; During heating operating, the complete unit will stop operation.	Theres circuit malfunction on outdoor units control panel AP1, please replace the outdoor units control panel AP1.
44	The four-way valve is abnormal	U7				If this malfunction occurs during heating operation, the complete unit will stop operation.	1.Supply voltage is lower than AC175V; 2.Wiring terminal 4V is loosened or broken; 3.4V is damaged, please replace 4V.
46	Malfunction of zero-cross detection circuit	U8				The complete unit stops	1.Power supply is abnormal; 2.Detection circuit of indoor control mainboard is abnormal.
46	Malfunction of detecting plate(WIFI)	JF				Loads operate normally, while the unit can't be normally controlled by APP.	1. Main board of indoor unit is damaged; 2. Detection board is damaged; 3. The connection between indoor unit and detection board is not good;

No.	Malfunction Name	Display Method of Indoor Unit			A/C status	Possible Causes
		Dual-8 Code Display	Indicator Display (during blinking, ON 0.5s and OFF 0.5s)			
			Operation Indicator	Cool Indicator	Heating Indicator	
47	Refrigerant recovery mode	Fo				Refrigerant recovery. The Serviceman operates it for maintenance.
48	Undefined outdoor unit error	oE				<p>Cool: compressor and outdoor fan stops operation, while indoor fan operates; Heat: compressor, outdoor fan and indoor fan stop operation.</p> <ol style="list-style-type: none"> 1. Outdoor ambient temperature exceeds the operation range of unit (eg: less than -20oC or more than 60oC for cooling; more than 30oC for heating); 2. Failure startup of compressor? 3. Are wires of compressor not connected tightly? 4. Is compressor damaged? 5. Is main board damaged?

Analysis or processing of some of the malfunction display:

1. Compressor discharge protection

Possible causes: shortage of refrigerant; blockage of air filter; poor ventilation or air flow short pass for condenser; the system has noncondensing gas (such as air, water etc.); blockage of capillary assy (including filter); leakage inside four-way valve causes incorrect operation; malfunction of compressor; malfunction of protection relay; malfunction of discharge sensor; outdoor temperature too high.

Processing method: refer to the malfunction analysis in the above section.

2. Low voltage overcurrent protection

Possible cause: Sudden drop of supply voltage.

3. Communication malfunction

Processing method: Check if communication signal cable is connected reliably.

4. Sensor open or short circuit

Processing method: Check whether sensor is normal, connected with the corresponding position on the controller and if damage of lead wire is found.

5. Compressor over load protection

Possible causes: insufficient or too much refrigerant; blockage of capillary and increase of suction temp.; improper running of compressor, burning in or stuck of bearing, damage of discharge valve; malfunction of protector.

Processing method: adjust refrigerant amount; replace the capillary; replace the compressor; use universal meter to check if the contactor of compressor is fine when it is not overheated, if not replace the protector.

6. System malfunction

ie overload protection. When tube temperature (Check the temperature of outdoor heat exchanger when cooling and check the temperature of indoor heat exchanger when heating) is too high, protection will be activated.

Possible causes: Outdoor temperature is too high when cooling; insufficient outdoor air circulation; refrigerant flow malfunction. please refer to the malfunction analysis in the previous section for handling method .

7. IPM module protection

Processing method: Once the module malfunction happens, if it persists for a long time and can not be self-canceled, cut off the power and turn off the unit, and then re-energize the unit again after about 10 min. After repeating the procedure for several times, if the malfunction still exists, replace the module.

9.2 Procedure of Troubleshooting

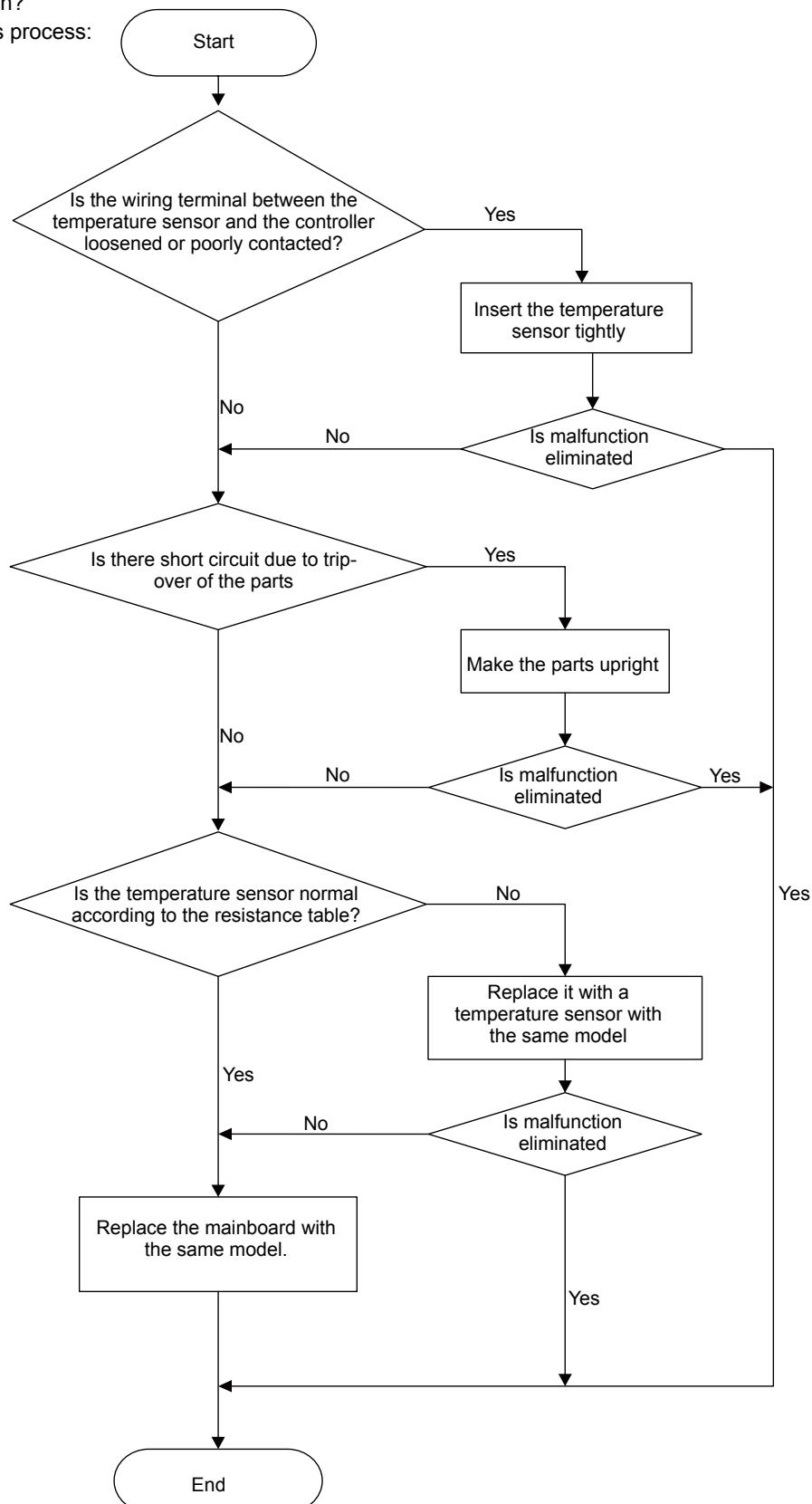
Indoor unit

1. Malfunction of Temperature Sensor

Main detection points:

- Is the wiring terminal between the temperature sensor and the controller loosened or poorly contacted?
- Is there short circuit due to trip-over of the parts?
- Is the temperature sensor broken?
- Is mainboard broken?

Malfunction diagnosis process:

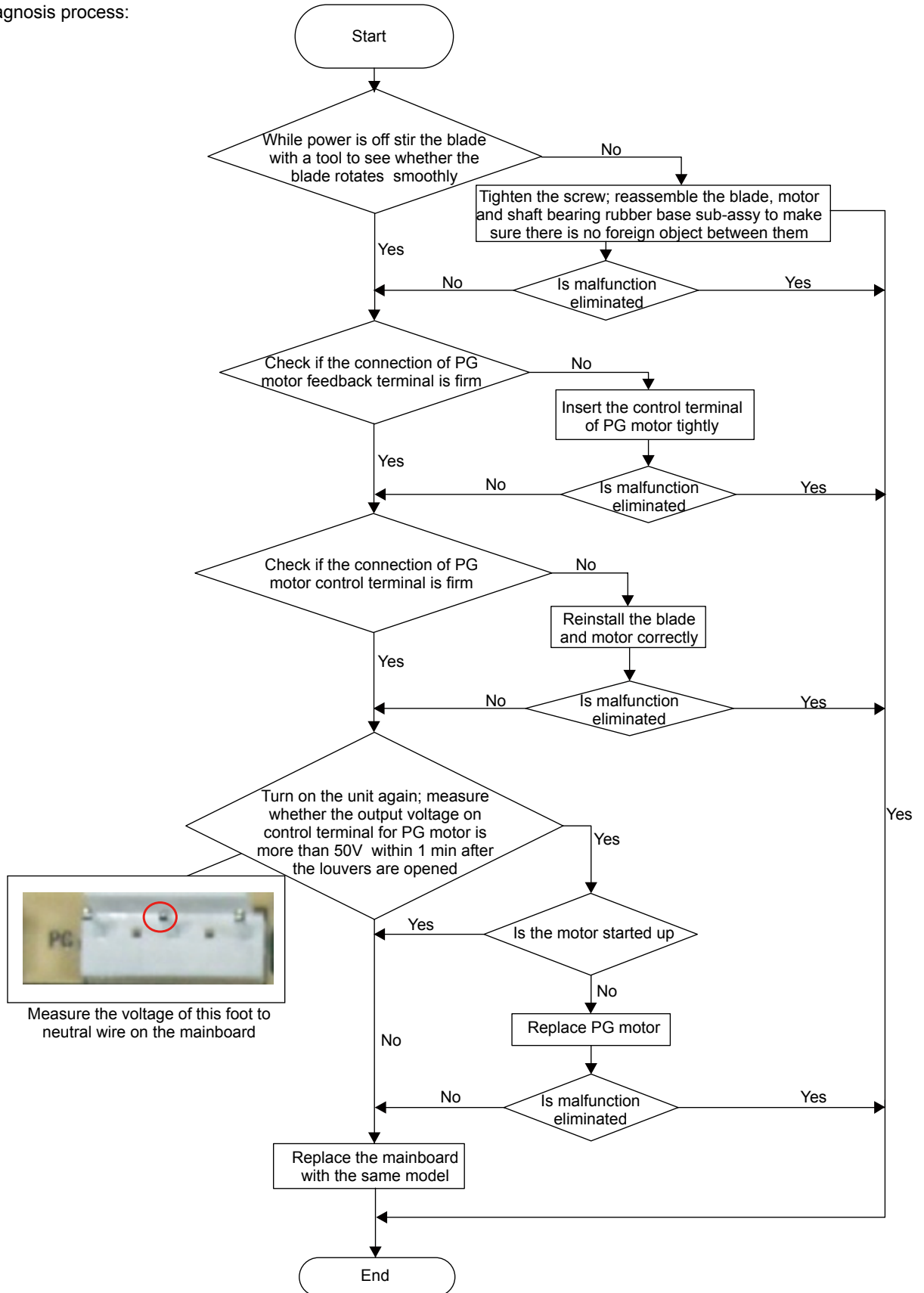


2. Malfunction of Blocked Protection of IDU Fan Motor

Main detection points:

- Smoothly Is the control terminal of PG motor connected tightly?
- Smoothly Is the feedback interface of PG motor connected tightly?
- The fan motor can't operate?
- The motor is broken?
- Detection circuit of the mainboard is defined abnormal?

Malfunction diagnosis process:

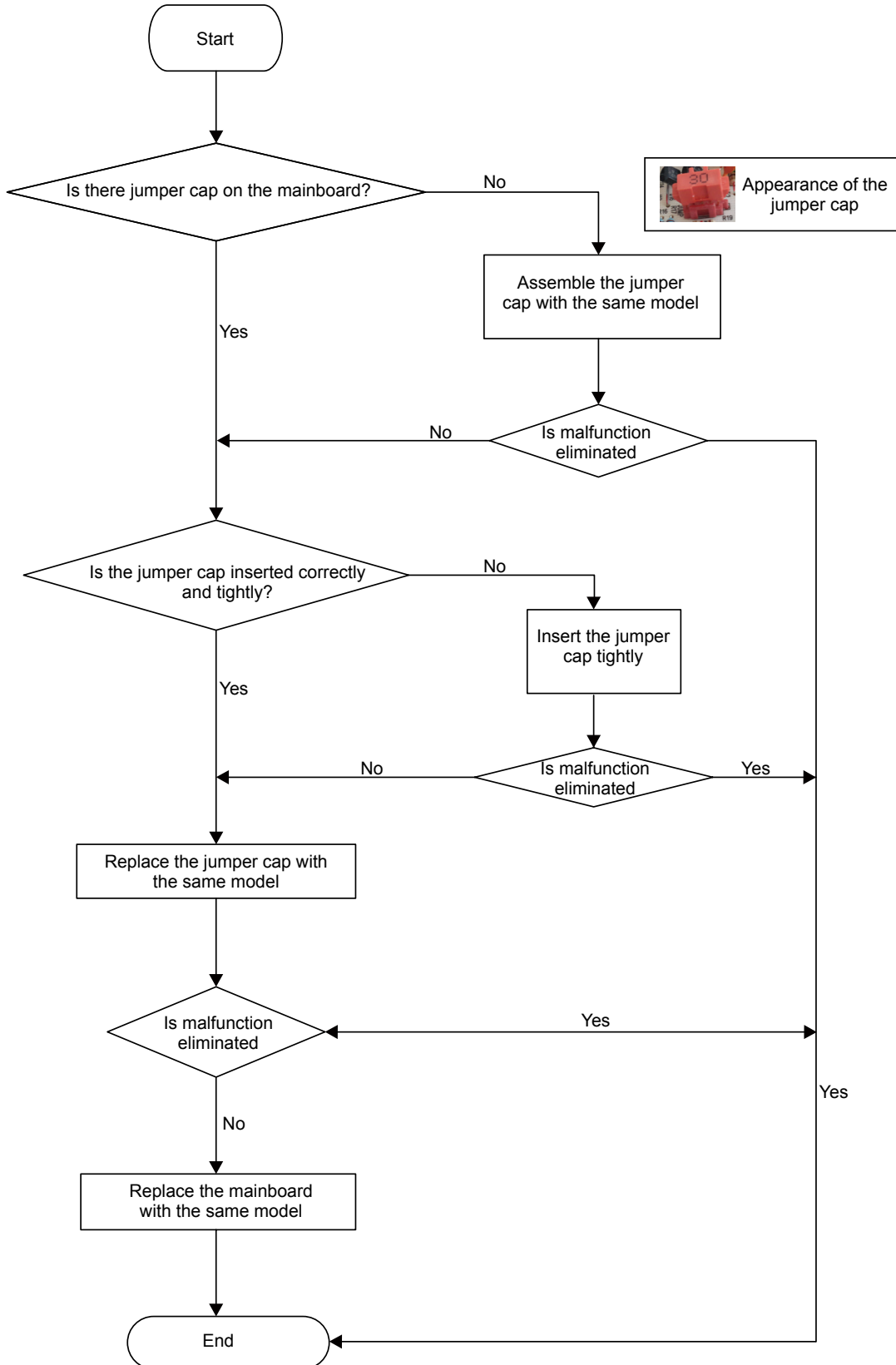


3. Malfunction of Protection of Jumper Cap

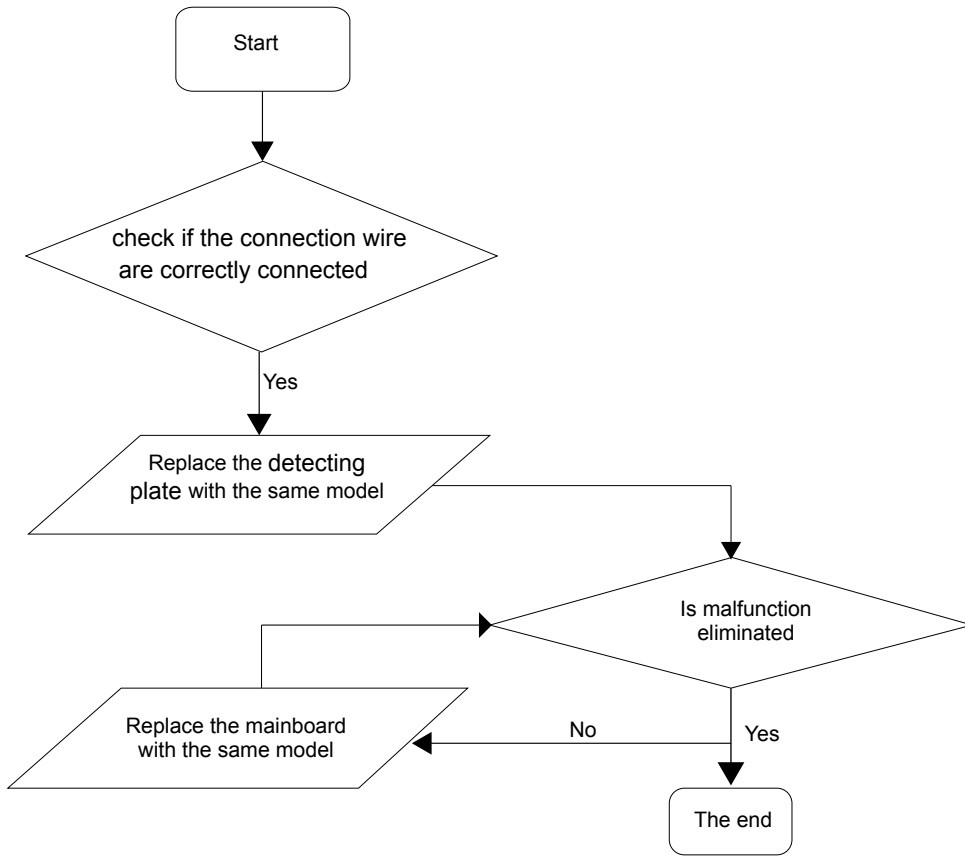
Main detection points:

- Is there jumper cap on the mainboard?
- Is the jumper cap inserted correctly and tightly?
- The jumper is broken?
- The motor is broken?
- Detection circuit of the mainboard is defined abnormal?

Malfunction diagnosis process:



5. Malfunction of detecting plate(WIFI)JF



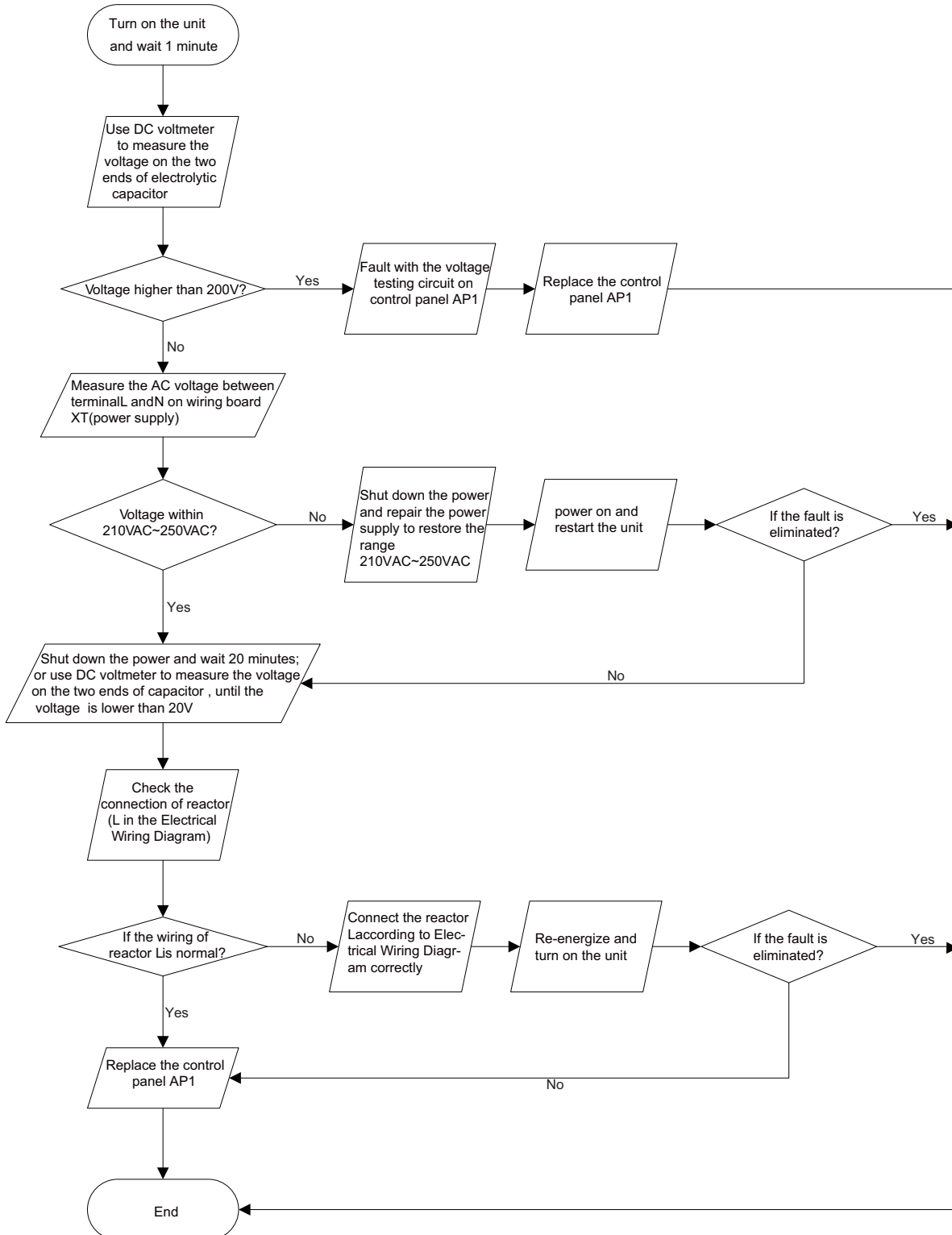
Outdoor unit

1. Capacitor charge fault (Fault with outdoor unit) (AP1 below refers to the outdoor control panel)

Main Check Points:

- Use AC voltmeter to check if the voltage between terminal L and N on the wiring board is within 210VAC~240VAC.
- Is the reactor (L) correctly connected? Is the connection loose or fallen? Is the reactor (L) damaged?

Fault diagnosis process:

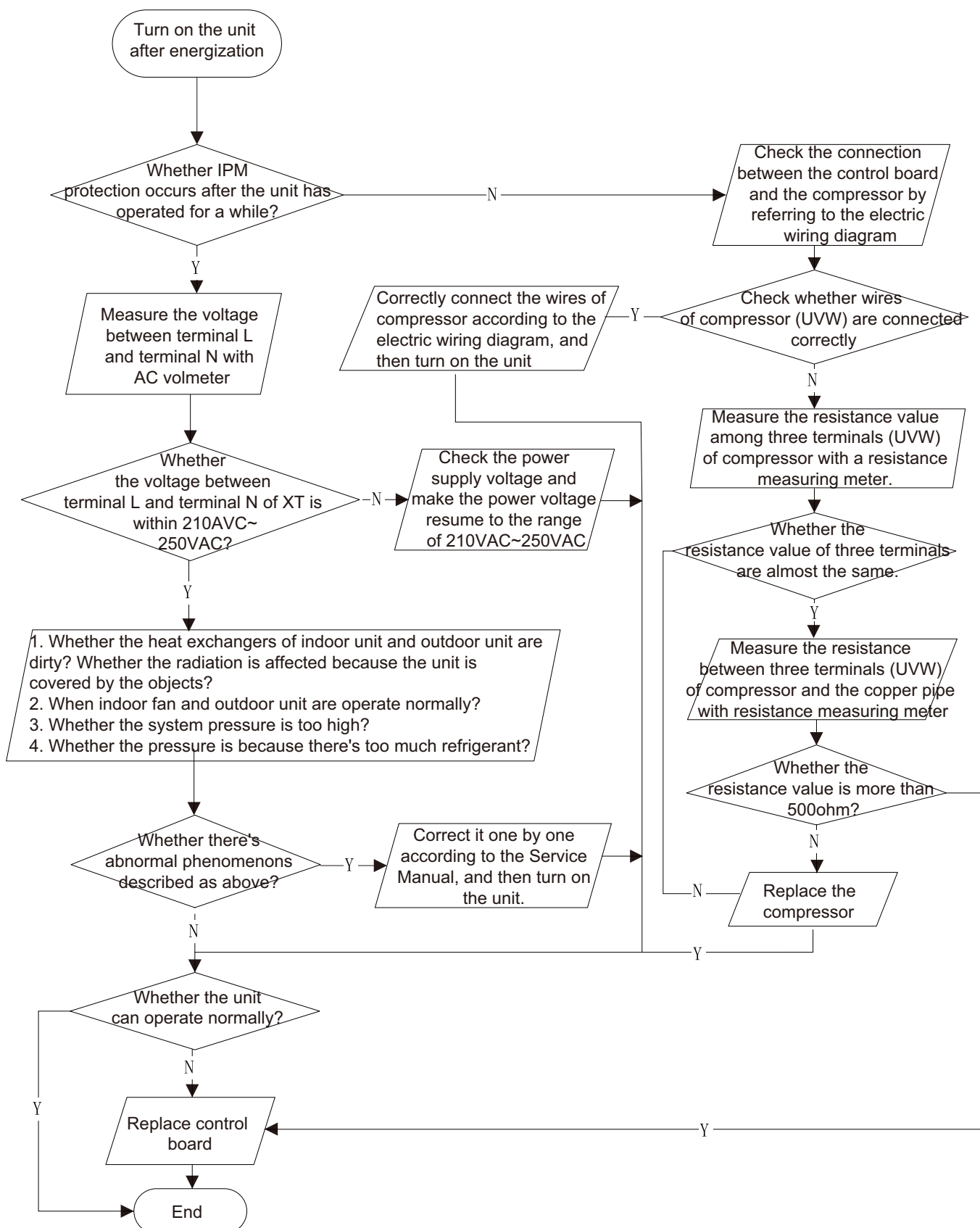


2. IPM protection, phase current overcurrent (the control board as below indicates the control board of outdoor unit) H5/P5

Mainly detect:

- (1) Compressor COMP terminal (2) voltage of power supply (3) compressor
- (4) Refrigerant-charging volume (5) air outlet and air inlet of outdoor/indoor unit

Troubleshooting:

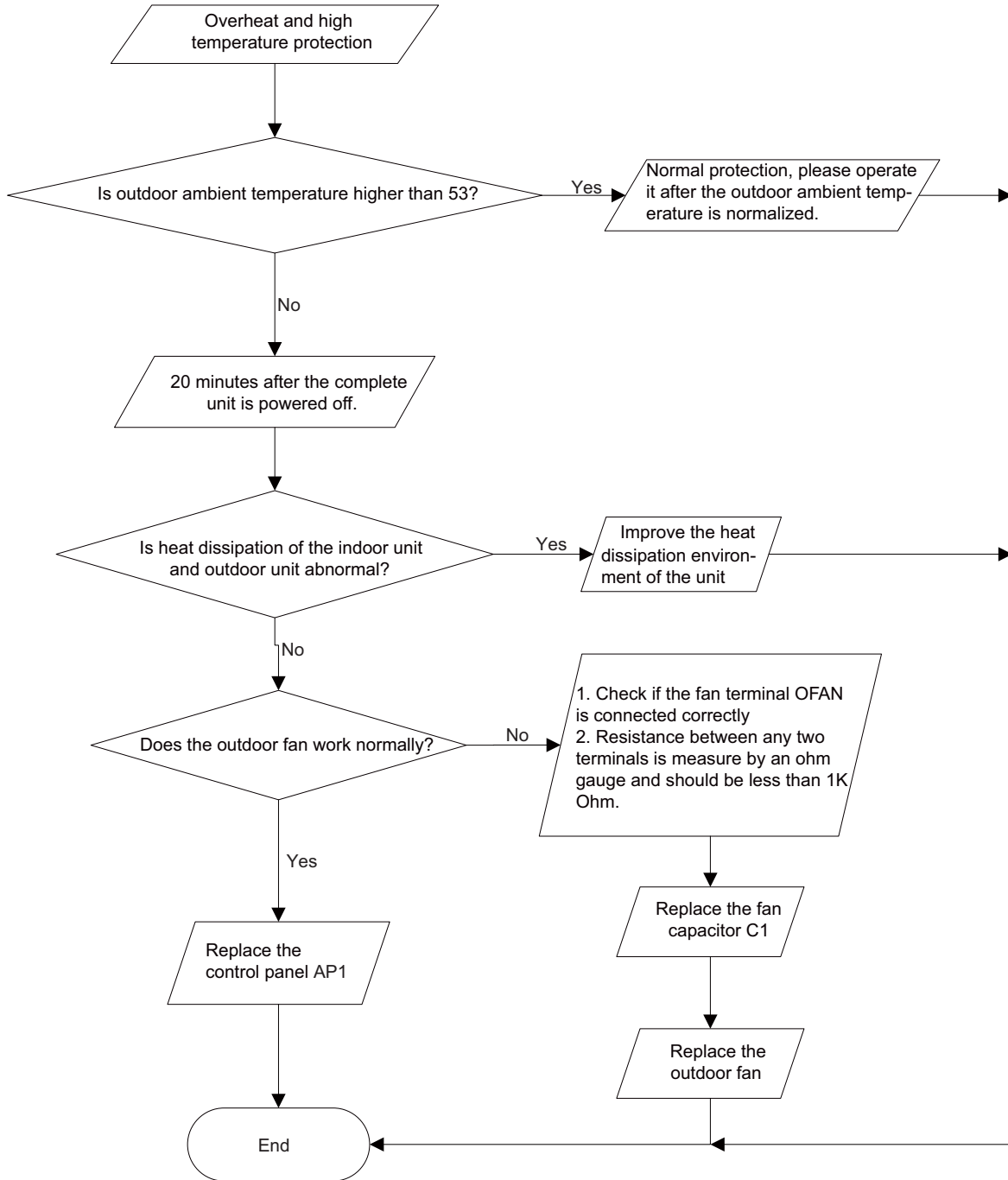


3. High temperature and overload protection diagnosis (AP1 hereinafter refers to the control board of the outdoor unit)

Mainly detect:

- Is outdoor ambient temperature in normal range?
- Are the outdoor and indoor fans operating normally?
- Is the heat dissipation environment inside and outside the unit good?

Fault diagnosis process:

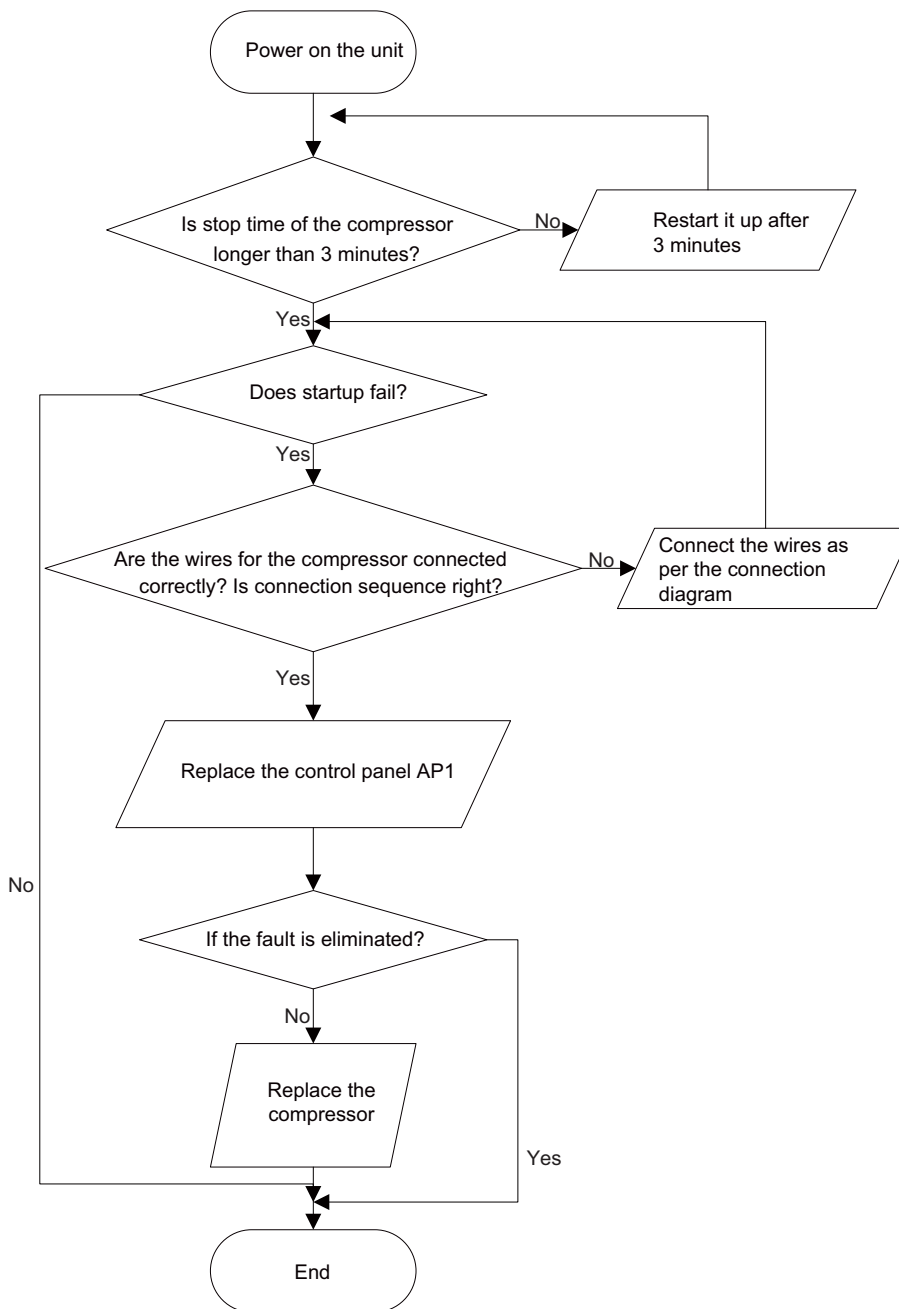


4. Start-up failure (following AP1 for outdoor unit control board)

Mainly detect:

- Whether the compressor wiring is connected correct?
- Is compressor broken?
- Is time for compressor stopping enough?

Fault diagnosis process:

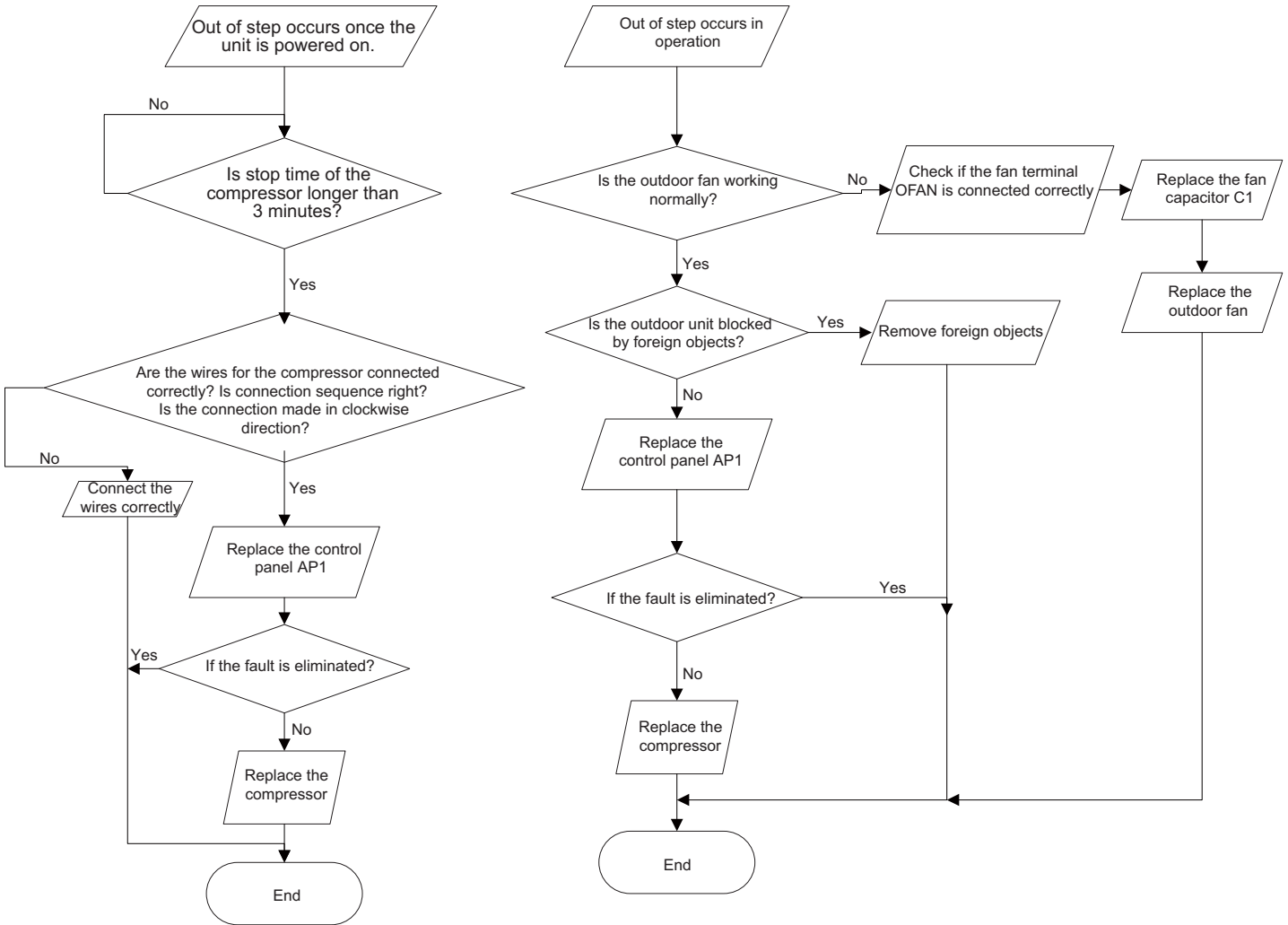


5. Out of step diagnosis for the compressor (AP1 hereinafter refers to the control board of the outdoor unit)

Mainly detect:

- Is the system pressure too high?
- Is the input voltage too low?

Fault diagnosis process:

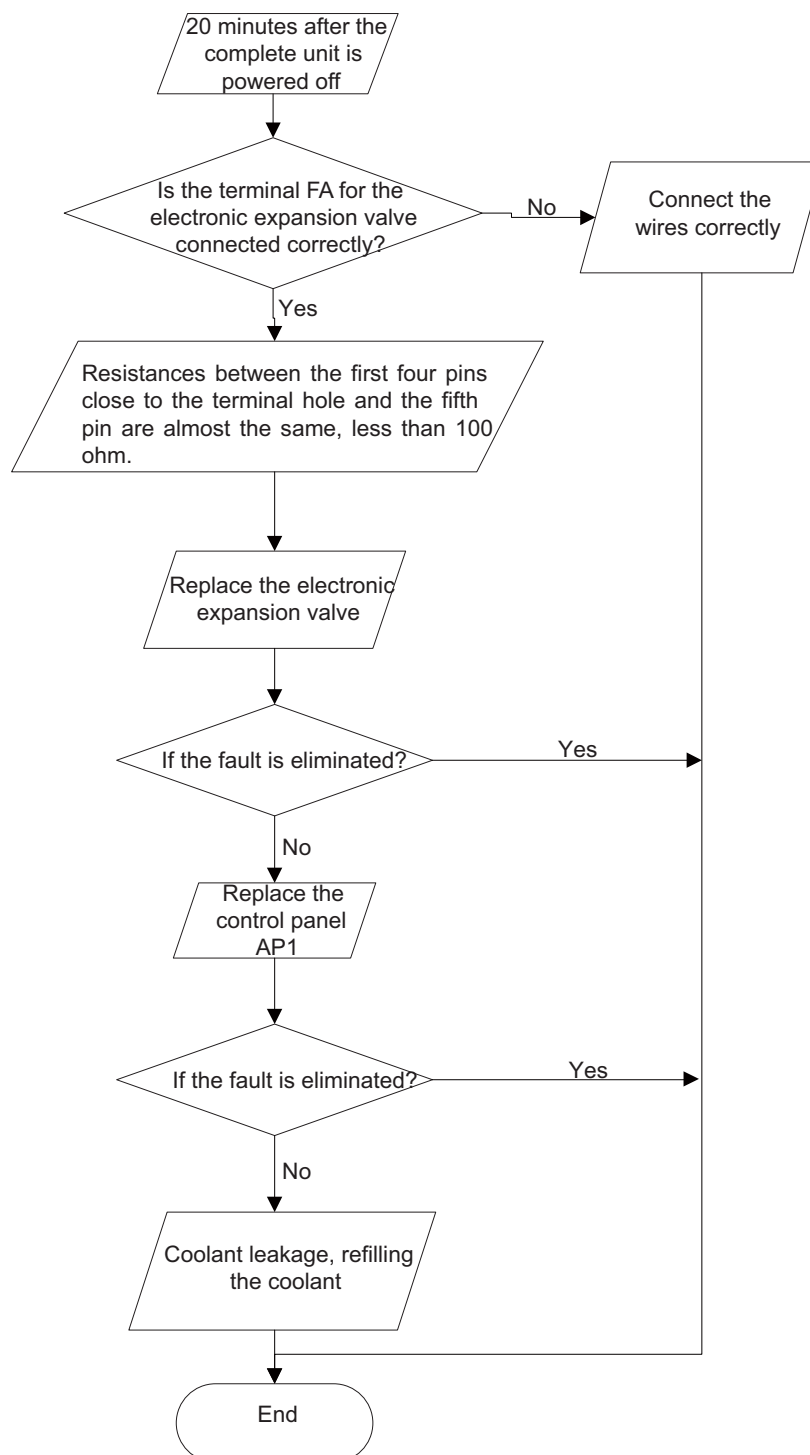


6. Overload and air exhaust malfunction diagnosis (following AP1 for outdoor unit control board)

Mainly detect:

- Is the PMV connected well or not? Is PMV damaged?
- Is refrigerant leaked?

Fault diagnosis process:

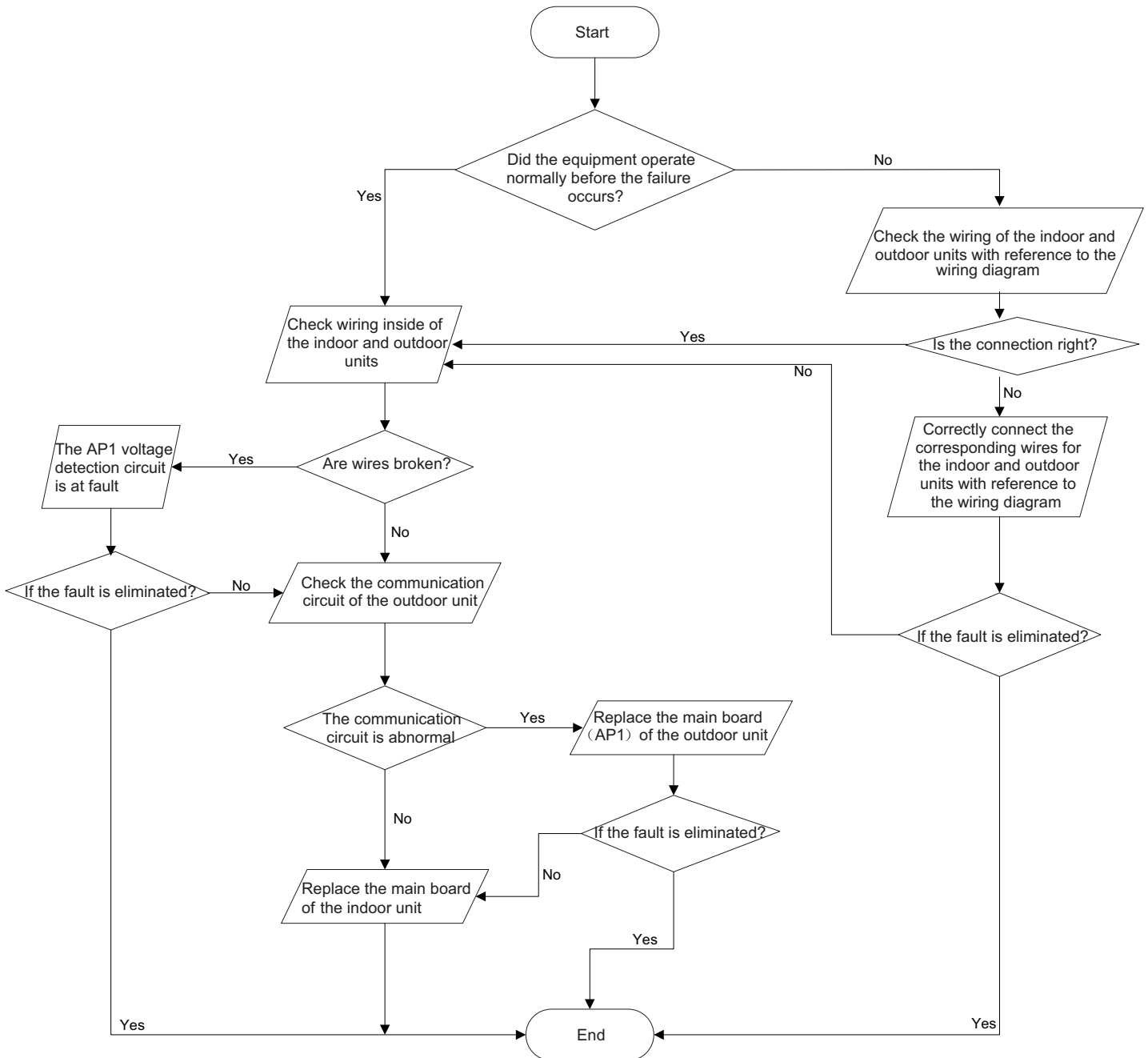


7. Communication malfunction: (following AP1 for outdoor unit control board)

Mainly detect:

- Is there any damage for the indoor unit mainboard communication circuit? Is communication circuit damaged?
- Detect the indoor and outdoor units connection wire and indoor and outdoor units inside wiring is connect well or not, if is there any damage?

Fault diagnosis process:

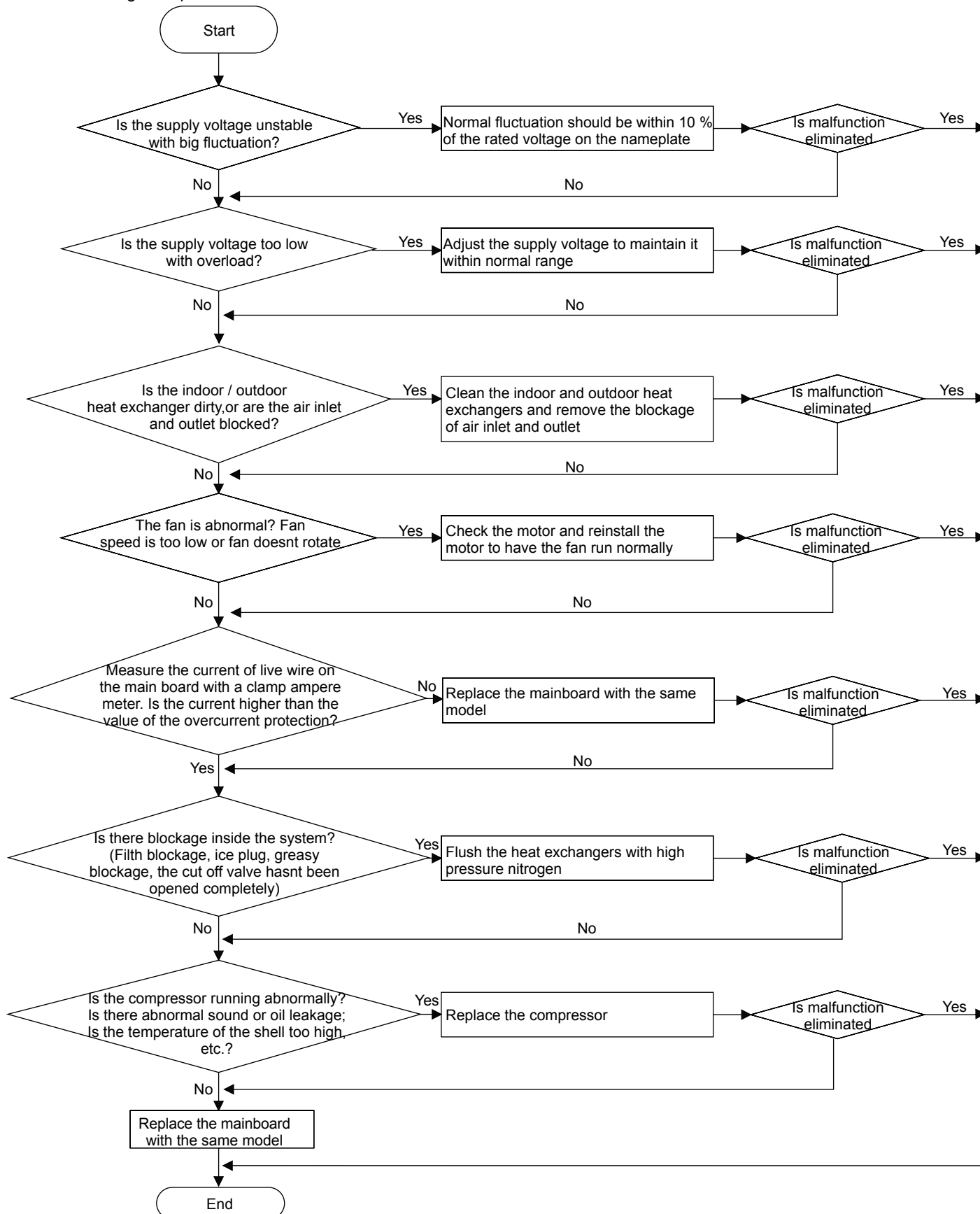


8. Malfunction of Overcurrent Protection

Main detection points:

- Is the supply voltage unstable with big fluctuation?
- Is the supply voltage too low with overload?
- Hardware trouble?

Malfunction diagnosis process:



9.3 Troubleshooting for Normal Malfunction

1. Air Conditioner Can't be Started Up

Possible Causes	Discriminating Method (Air conditioner Status)	Troubleshooting
No power supply, or poor connection for power plug	After energization, operation indicator isn't bright and the buzzer can't give out sound	Confirm whether it's due to power failure. If yes, wait for power recovery. If not, check power supply circuit and make sure the power plug is connected well.
Wrong wire connection between indoor unit and outdoor unit, or poor connection for wiring terminals	Under normal power supply circumstances, operation indicator isn't bright after energization	Check the circuit according to circuit diagram and connect wires correctly. Make sure all wiring terminals are connected firmly
Electric leakage for air conditioner	After energization, room circuit breaker trips off at once	Make sure the air conditioner is grounded reliably Make sure wires of air conditioner is connected correctly Check the wiring inside air conditioner. Check whether the insulation layer of power cord is damaged; if yes, place the power cord.
Model selection for air switch is improper	After energization, air switch trips off	Select proper air switch
Malfunction of remote controller	After energization, operation indicator is bright, while no display on remote controller or buttons have no action.	Replace batteries for remote controller Repair or replace remote controller

2. Poor Cooling (Heating) for Air Conditioner

Possible Causes	Discriminating Method (Air conditioner Status)	Troubleshooting
Set temperature is improper	Observe the set temperature on remote controller	Adjust the set temperature
Rotation speed of the IDU fan motor is set too low	Small wind blow	Set the fan speed at high or medium
Filter of indoor unit is blocked	Check the filter to see its blocked	Clean the filter
Installation position for indoor unit and outdoor unit is improper	Check whether the installation position is proper according to installation requirement for air conditioner	Adjust the installation position, and install the rainproof and sunproof for outdoor unit
Refrigerant is leaking	Discharged air temperature during cooling is higher than normal discharged wind temperature; Discharged air temperature during heating is lower than normal discharged wind temperature; Units pressure is much lower than regulated range	Find out the leakage causes and deal with it. Add refrigerant.
Malfunction of 4-way valve	Blow cold wind during heating	Replace the 4-way valve
Malfunction of capillary	Discharged air temperature during cooling is higher than normal discharged wind temperature; Discharged air temperature during heating is lower than normal discharged wind temperature; Unit pressure is much lower than regulated range. If refrigerant isn't leaking, part of capillary is blocked	Replace the capillary
Flow volume of valve is insufficient	The pressure of valves is much lower than that stated in the specification	Open the valve completely
Malfunction of horizontal louver	Horizontal louver can't swing	Refer to point 3 of maintenance method for details
Malfunction of the IDU fan motor	The IDU fan motor can't operate	Refer to troubleshooting for H6 for maintenance method in details
Malfunction of the ODU fan motor	The ODU fan motor can't operate	Refer to point 4 of maintenance method for details
Malfunction of compressor	Compressor can't operate	Refer to point 5 of maintenance method for details

3. Horizontal Louver Can't Swing

Possible Causes	Discriminating Method (Air conditioner Status)	Troubleshooting
Wrong wire connection, or poor connection	Check the wiring status according to circuit diagram	Connect wires according to wiring diagram to make sure all wiring terminals are connected firmly
Stepping motor is damaged	Stepping motor can't operate	Repair or replace stepping motor
Main board is damaged	Others are all normal, while horizontal louver can't operate	Replace the main board with the same model

4. ODU Fan Motor Can't Operate

Possible causes	Discriminating method (air conditioner status)	Troubleshooting
Wrong wire connection, or poor connection	Check the wiring status according to circuit diagram	Connect wires according to wiring diagram to make sure all wiring terminals are connected firmly
Capacity of the ODU fan motor is damaged	Measure the capacity of fan capacitor with an universal meter and find that the capacity is out of the deviation range indicated on the nameplate of fan capacitor.	Replace the capacity of fan
Power voltage is a little low or high	Use universal meter to measure the power supply voltage. The voltage is a little high or low	Suggest to equip with voltage regulator
Motor of outdoor unit is damaged	When unit is on, cooling/heating performance is bad and ODU compressor generates a lot of noise and heat.	Change compressor oil and refrigerant. If no better, replace the compressor with a new one

5. Compressor Can't Operate

Possible causes	Discriminating method (air conditioner status)	Troubleshooting
Wrong wire connection, or poor connection	Check the wiring status according to circuit diagram	Connect wires according to wiring diagram to make sure all wiring terminals are connected firmly
Capacity of compressor is damaged	Measure the capacity of fan capacitor with an universal meter and find that the capacity is out of the deviation range indicated on the nameplate of fan capacitor.	Replace the compressor capacitor
Power voltage is a little low or high	Use universal meter to measure the power supply voltage. The voltage is a little high or low	Suggest to equip with voltage regulator
Coil of compressor is burnt out	Use universal meter to measure the resistance between compressor terminals and its 0	Repair or replace compressor
Cylinder of compressor is blocked	Compressor can't operate	Repair or replace compressor

6. Air Conditioner is Leaking

Possible causes	Discriminating method (air conditioner status)	Troubleshooting
Drain pipe is blocked	Water leaking from indoor unit	Eliminate the foreign objects inside the drain pipe
Drain pipe is broken	Water leaking from drain pipe	Replace drain pipe
Wrapping is not tight	Water leaking from the pipe connection place of indoor unit	Wrap it again and bundle it tightly

7. Abnormal Sound and Vibration

Possible causes	Discriminating method (air conditioner status)	Troubleshooting
When turn on or turn off the unit, the panel and other parts will expand and theres abnormal sound	Theres the sound of "PAPA"	Normal phenomenon. Abnormal sound will disappear after a few minutes.
When turn on or turn off the unit, theres abnormal sound due to flow of refrigerant inside air conditioner	Water-running sound can be heard	Normal phenomenon. Abnormal sound will disappear after a few minutes.
Foreign objects inside the indoor unit or therere parts touching together inside the indoor unit	Theres abnormal sound fro indoor unit	Remove foreign objects. Adjust all parts position of indoor unit, tighten screws and stick damping plaster between connected parts
Foreign objects inside the outdoor unit or therere parts touching together inside the outdoor unit	Theres abnormal sound fro outdoor unit	Remove foreign objects. Adjust all parts position of outdoor unit, tighten screws and stick damping plaster between connected parts
Short circuit inside the magnetic coil	During heating, the way valve has abnormal electromagnetic sound	Replace magnetic coil
Abnormal shake of compressor	Outdoor unit gives out abnormal sound	Adjust the support foot mat of compressor, tighten the bolts
Abnormal sound inside the compressor	Abnormal sound inside the compressor	If add too much refrigerant during maintenance, please reduce refrigerant properly. Replace compressor for other circumstances.

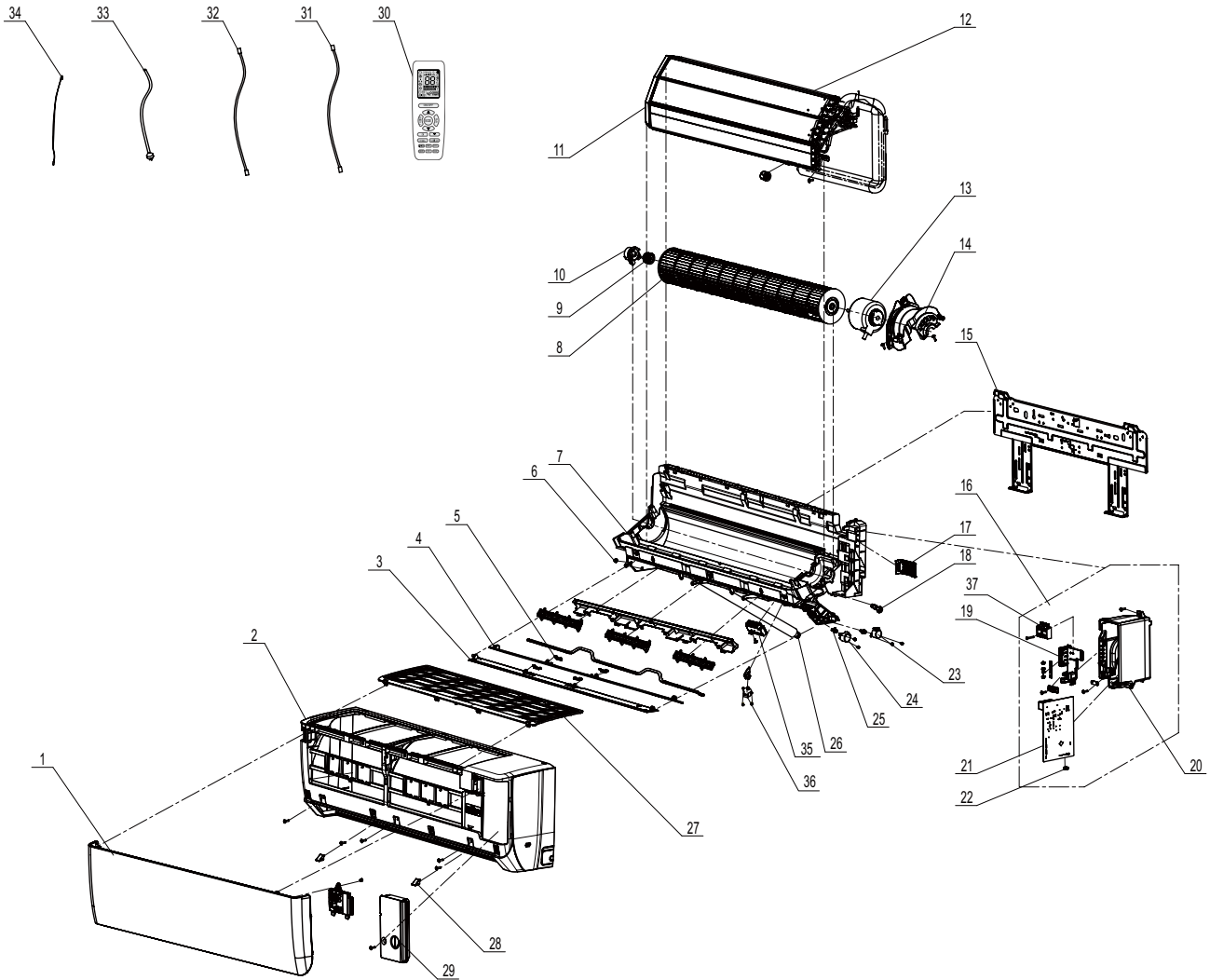
NO.	Description	Part Code			Qty
		GWH09AGA-K6DNA1A/I	GWH12AGB-K6DNA1A/I	GWH09AGA-K6DNA1A/I	
	Product Code	CB385N01000	CB385N01700	CB385N01002	
1	Evaporator Support	200025000003	200025000003	200025000003	1
2	Axile Bush Sub-assy	10542047	10542047	10542047	1
3	Cross Flow Fan	10352067	10352066	10352067	1
4	Evaporator Assy	011001000127	01100106015005	011001000127	1
5	Motor Press Plate	200020060008	200020060008	200020060008	1
6	Wall Mounting Frame Sub-assy	017211000005	017211000005	017211000005	1
7	Fan Motor	1501208904	150120874	1501208904	1
8	Rear Case	200001060035	200001060034	20000106003502	1
9	Connecting pipe clamp	200017000001	200017000001	200017000001	1
10	Screw Cover	200005060018	200005060018	200005060018	1
11	Plasmacluster Ion	430001060002	430001060002	/	1
12	Rubber Plug (Water Tray)	76712012	76712012	76712012	1
13	Air Louver	200007060080(left) 200007060082(right)	200007060078(left) 200007060081(right)	200007060080(left) 200007060082(right)	1
14	Crank	200023060004	200023060004	200023060004	2
15	Stepping Motor	1521210710	1521210710	1521210710	1
16	Stepping Motor	1521200606	1521200606	1521200606	1
17	Air Louver (Auto)	200007060079	200007060079	200007060079	1
18	Stepping Motor	1521210704	1521210704	1521210704	1
19	Electric Box Assy	100002069907	100002070041	100002069907	1
20	Wire Clamp	/	/	/	/
21	Electric Box	200013060064	200013060064	200013060064	1
22	Earthing	42012411	42012411	42012411	1
23	Terminal Board	420111041	420111041	420111041	1
24	Cable Clamp 2	71012065	71012065	71012065	1
25	Main Board	300002061580	300002061580	300002061580	1
26	Jumper	4202021908	4202021903	4202021908	1
27	Plug Pin	200033060002	200033060002	200033060002	4
28	Helicoid Tongue	200006060010	200006060009	200006060010	1
29	Guide Louver (lower)	200004060084	200004060082	200004060084	1
30	Guide Louver (upper)	200004060083	200004060081	200004060083	1
31	Electric Box Cover2	200082060052	200082060052	200082060052	1
32	Display Board	300001060575	300001060575	300001060575	1
33	Front Panel	200003060157T	200003060156T	200003060157T	1
34	Front Case	200002060040	200002060039	200002060040	1
35	Filter Sub-Assy	111001060144	111001060143	111001060144	1
36	Swing Lever	200035060033	200035060032	200035060033	1
37	Left Axile Bush	10512037	10512037	10512037	2
38	Drainage Hose	0523001408	0523001408	0523001408	1
39	Power Cord	/	/	/	/
40	Connecting Cable	4002052317	4002052317	4002052317	0
41	Connecting Cable	/	/	/	/
42	Remote Controller	305001060060	305001060060	305001060060	1

Above data is subject to change without notice.

NO.	Description	Part Code			Qty
		GWH09AGB-K6DNA1B/I	GWH12AGC-K6DNA1A/I	GWH12AGB-K6DNA1A/I	
	Product Code	CB385N02300	CB385N02400	CB385N01702	
1	Evaporator Support	200025000003	200025060004	200025000003	1
2	Axile Bush Sub-assy	10542047	10542047	10542047	1
3	Cross Flow Fan	10352067	103001060004	10352066	1
4	Evaporator Assy	011001060150	01100106088101	01100106015005	1
5	Motor Press Plate	200020060008	200020060002	200020060008	1
6	Wall Mounting Frame Sub-assy	017211000005	01252484	017211000005	1
7	Fan Motor	1501208904	150101060282	150120874	1
8	Rear Case	200001060035	20000106003802	20000106003402	1
9	Connecting pipe clamp	200017000001	200017000001	200017000001	1
10	Screw Cover	200005060018	200005060003	200005060018	1
11	Plasmacluster Ion	430001060002	430001060002	/	1
12	Rubber Plug (Water Tray)	76712012	76712012	76712012	1
13	Air Louver	200007060080(left) 200007060082(right)	200007060064 (left) 200007060065(right)	200007060078(left) 200007060081(right)	1
14	Crank	200023060004	200023060004	200023060004	2
15	Stepping Motor	1521210710	1521210710	1521210710	1
16	Stepping Motor	1521200606	1521200607	1521200606	1
17	Air Louver (Auto)	200007060079	200007060066	200007060079	1
18	Stepping Motor	1521210704	1521210704	1521210704	1
19	Electric Box Assy	100002070236	100002070114	100002070041	1
20	Wire Clamp	/	/	/	/
21	Electric Box	200013060064	200013060065	200013060064	1
22	Earthing	42012411	/	42012411	1
23	Terminal Board	420111041	422000000022	420111041	1
24	Cable Clamp 2	71012065	71012065	71012065	1
25	Main Board	300002061580	300002061619	300002061580	1
26	Jumper	4202021908	4202021905	4202021903	1
27	Plug Pin	200033060002	200033060002	200033060002	4
28	Helicoid Tongue	200006060010	200006060012	200006060009	1
29	Guide Louver (lower)	200004060084	200004060087	200004060082	1
30	Guide Louver (upper)	200004060083	200004060088	200004060081	1
31	Electric Box Cover2	200082060052	200082060053	200082060052	1
32	Display Board	300001060575	300001060575	300001060575	1
33	Front Panel	200003060157T	200003060158	200003060156T	1
34	Front Case	200002060040	200002060041	200002060039	1
35	Filter Sub-Assy	111001060144	111001060145	111001060143	1
36	Swing Lever	200035060033	200035060028	200035060032	1
37	Left Axile Bush	10512037	10512037	10512037	2
38	Drainage Hose	0523001408	05230014	0523001408	1
39	Power Cord	/	/	/	/
40	Connecting Cable	4002052317	4002052317	4002052317	0
41	Connecting Cable	/	/	/	/
42	Remote Controller	305001060060	305001060060	305001060060	1

Above data is subject to change without notice.

GWH18AGD-K6DNA1A/I CB385N01900
 GWH24AGD-K6DNA1C/I CB385N08600
 GWH24AGD-K6DNA1A/I CB385N01500
 GWH18AGD-K6DNA1D/I CB385N08300
 GWH24AGD-K6DNA1C/I CB385N08601
 GWH18AGD-K6DNA1D/I CB385N08301



The component picture is only for reference; please refer to the actual product.

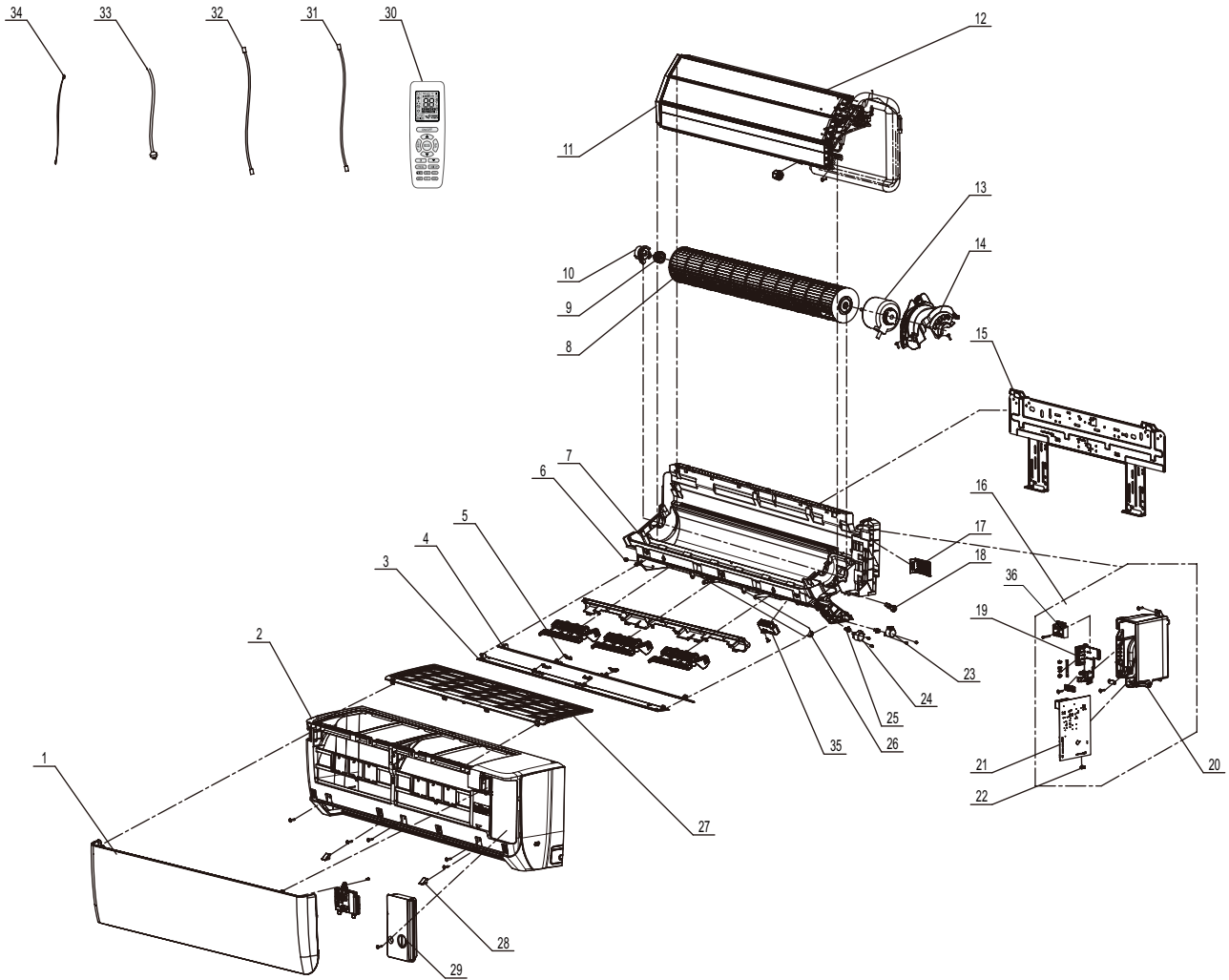
NO.	Description	Part Code			Qty
		GWH18AGD-K6DNA1A/I	GWH24AGD-K6DNA1A/I	GWH24AGD-K6DNA1C/I	
	Product Code	CB385N01900	CB385N01500	CB385N08601	
1	Front Panel	200003060155T	200003060155T	200003060155T	1
2	Front Case Assy	000002060180	000002060180	000002060180	1
3	Guide Louver Sub-assy 1	000136060056	000136060056	000136060056	1
4	Guide Louver Sub-assy 2	000136060057	000136060057	000136060057	1
5	Plug Pin	200033060002	200033060002	200033060002	2
6	Left Axile Bush	10512037	10512037	10512037	2
7	Rear Case	200001060033	200001060033	20000106003302	1
8	Cross Flow Fan	103001060017	103001060017	103001060017	1
9	Ring of Bearing	26152022	26152022	26152022	1
10	O-Gasket sub-assy of Bearing	76512051	76512051	76512051	1
11	Evaporator Support	200025060013	200025060012	200025060012	1
12	Evaporator Assy	011001061406	011001061474	011001061474	1
13	Fan Motor	1501214502	15012136	15012145	1
14	Motor Press Plate	200020060007	200020060007	200020060007	1
15	Wall Mounting Frame Sub-assy	012043060008	012043060008	012043060008	1
16	Electric Box Assy	100002070136	100002069827	100002072311	1
17	Connecting pipe clamp	200017060004	200017060004	200017060004	1
18	Rubber Plug (Water Tray)	76712012	76712012	76712012	1
19	Supporter	200114060044	200114060044	200114060044	1
20	Electric Box	200013060061	200013060061	200013060061	1
21	Main Board	300002061496	300002061584	300002061610	1
22	Jumper	4202021912	4202021915	4202021920	1
23	Stepping Motor	1521200606	1521200606	1521200606	1
24	Stepping Motor	1521210710	1521210710	1521210710	1
25	Crank	200023060004	200023060004	200023060004	2
26	Drainage Hose	05230014	05230014	05230014	1
27	Filter Sub-Assy	111001060142	111001060142	111001060142	1
28	Screw Cover	200005060017	200005060017	200005060017	2
29	Electric Box Cover	200082060050	200082060050	200082060050	1
30	Remote Controller	305001060060	305001060060	305001060060	1
31	Connecting Cable	4002052317	4002052317	4002052317	0
32	Connecting Cable	/	/	/	/
33	Power Cord	/	/	/	/
34	Temperature Sensor	3900031302	3900031302	3900031302	1
35	Plasmacluster Ion	430001060002	430001060002	/	1
36	Stepping Motor	1521210704	1521210704	1521210704	1
37	Terminal Board	422000000022	422000000022	422000000022	1

Above data is subject to change without notice.

NO.	Description	Part Code			Qty
		GWH18AGD-K6DNA1D/I	GWH18AGD-K6DNA1D/I	GWH24AGD-K6DNA1C/I	
	Product Code	CB385N08300	CB385N08301	CB385N08600	
1	Front Panel	200003060155T	200003060155T	200003060155T	1
2	Front Case Assy	000002060180	000002060180	000002060180	1
3	Guide Louver Sub-assy 1	000136060056	000136060056	000136060056	1
4	Guide Louver Sub-assy 2	000136060057	000136060057	000136060057	1
5	Plug Pin	200033060002	200033060002	200033060002	2
6	Left Axle Bush	10512037	10512037	10512037	2
7	Rear Case	200001060033	20000106003302	20000106003302	1
8	Cross Flow Fan	103001060017	103001060017	103001060017	1
9	Ring of Bearing	26152022	26152022	26152022	1
10	O-Gasket sub-assy of Bearing	76512051	76512051	76512051	1
11	Evaporator Support	200025060013	200025060013	200025060012	1
12	Evaporator Assy	011001061406	011001061406	011001061474	1
13	Fan Motor	1501214508	1501214508	15012145	1
14	Motor Press Plate	200020060007	200020060007	200020060007	1
15	Wall Mounting Frame Sub-assy	012043060008	012043060008	012043060008	1
16	Electric Box Assy	100002070136	100002070136	100002072311	1
17	Connecting pipe clamp	200017060004	200017060004	200017060004	1
18	Rubber Plug (Water Tray)	76712012	76712012	76712012	1
19	Supporter	200114060044	200114060044	200114060044	1
20	Electric Box	200013060061	200013060061	200013060061	1
21	Main Board	300002061725	300002061725	300002061610	1
22	Jumper	4202021912	4202021912	4202021920	1
23	Stepping Motor	1521200606	1521200606	1521200606	1
24	Stepping Motor	1521210710	1521210710	1521210710	1
25	Crank	200023060004	200023060004	200023060004	2
26	Drainage Hose	05230014	05230014	05230014	1
27	Filter Sub-Assy	111001060142	111001060142	111001060142	1
28	Screw Cover	200005060017	200005060017	200005060017	2
29	Electric Box Cover	200082060050	200082060050	200082060050	1
30	Remote Controller	305001060060	305001060060	305001060060	1
31	Connecting Cable	4002052317	4002052317	4002052317	0
32	Connecting Cable	/	/	/	/
33	Power Cord	/	/	/	/
34	Temperature Sensor	3900031302	3900031302	3900031302	1
35	Plasmacluster Ion	430001060002	/	430001060002	1
36	Stepping Motor	1521210704	1521210704	1521210704	1
37	Terminal Board	422000000022	422000000022	422000000022	1

Above data is subject to change without notice.

GWH18AGD-K6DNA1D/I CB385N08302
GWH24AGD-K6DNA1C/I CB385N08602



The component picture is only for reference; please refer to the actual product.

NO.	Description	Part Code		Qty
		GWH18AGD-K6DNA1D/I	GWH24AGD-K6DNA1C/I	
	Product Code	CB385N08302	CB385N08602	
1	Front Panel	200003060155T	200003060155T	1
2	Front Case Assy	000002060180	000002060180	1
3	Guide Louver Sub-assy 1	000136060056	000136060056	1
4	Guide Louver Sub-assy 2	000136060057	000136060057	1
5	Plug Pin	200033060002	200033060002	2
6	Left Axile Bush	10512037	10512037	2
7	Rear Case	20000106003301	20000106003301	1
8	Cross Flow Fan	103001060017	103001060017	1
9	Ring of Bearing	26152022	26152022	1
10	O-Gasket sub-assy of Bearing	76512051	76512051	1
11	Evaporator Support	200025060013	200025060012	1
12	Evaporator Assy	011001061406	011001061474	1
13	Fan Motor	1501214508	15012145	1
14	Motor Press Plate	200020060007	200020060007	1
15	Wall Mounting Frame Sub-assy	012043060008	012043060008	1
16	Electric Box Assy	100002070136	100002072311	1
17	Connecting pipe clamp	200017060004	200017060004	1
18	Rubber Plug (Water Tray)	76712012	76712012	1
19	Supporter	200114060044	200114060044	1
20	Electric Box	200013060061	200013060061	1
21	Main Board	300002061725	300002061610	1
22	Jumper	4202021912	4202021920	1
23	Stepping Motor	1521200606	1521200606	1
24	Stepping Motor	1521210710	1521210710	1
25	Crank	200023060004	200023060004	2
26	Drainage Hose	05230014	05230014	1
27	Filter Sub-Assy	111001060142	111001060142	1
28	Screw Cover	200005060017	200005060017	2
29	Electric Box Cover	200082060050	200082060050	1
30	Remote Controller	305001060060	305001060060	1
31	Connecting Cable	4002052317	4002052317	0
32	Connecting Cable	/	/	/
33	Power Cord	/	/	/
34	Temperature Sensor	3900031302	3900031302	1
35	Plasmacluster Ion	/	/	/
36	Terminal Board	422000000022	422000000022	1

Above data is subject to change without notice.

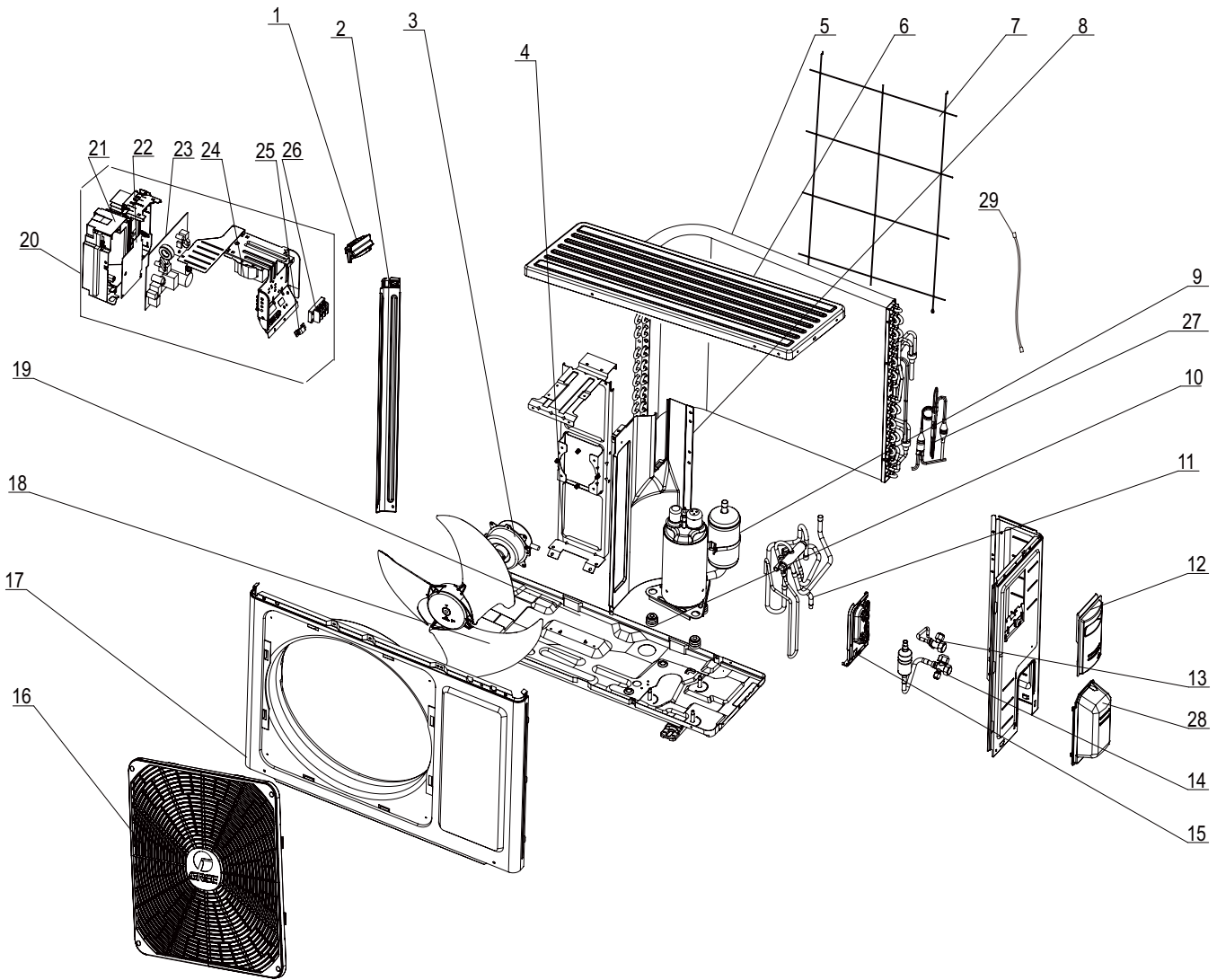
No.	Description	Part Code			Qty
		GWH09AGA-K6DNA1A/O	GWH12AGB-K6DNA1A/O	GWH18AGD-K6DNA1D/O	
	Product Code	CB385W01000	CB385W01700	CB385W08300	
1	Coping	01204906008701P	01204906008701P	012049060124P	1
2	Supporting Board(Condenser)	012072061032	012072061032	/	1
3	4-Way Valve	430004022	430004022	072007060013	1
4	Sponge(Condenser)	1212309101	1212309101	12123091	1
5	Temperature Sensor Support	24213042	24213042	24213042	1
6	Condenser Assy	011002061289	011002061317	011002061702	1
7	Capillary Sub-assy	030006060901	030006060915	030006061208	1
8	Sensor Insert	42020063	42020063	42020063	1
9	Right Side Plate	01205606031101P	01205606031101P	012056060384	1
10	Earthing Plate Sub-assy	012002060009	012002060009	017246000001	1
11	Wire Clamp	71010103	71010103	200015060019	1
12	Handle Assy	000223000006	000223000006	200149060023	1
13	Silencer	07243067	07243067	035023000009	1
14	Cut-off valve 1/4(N)	07000106001501	07000106001501	070001060022	1
15	Cut-off valve 3/8(N)	07000106001401	07000106001401	070001060029	1
16	Valve Support	012044060018P	012044060018P	012044060022P	1
17	4-Way Valve Assy	030152060486	030152060486	030152060711	1
18	Compressor and Fittings	009001060484	009001060497	009001060648	1
19	Chassis Sub-assy	017000060511P	017000060511P	017000060636P	1
20	Motor Support	01204806011103	01204806011103	01204806014901	1
21	Brushless DC Motor	1501308517	1501308517	1501308528	1
22	Axial Flow Fan	10333428	10333428	10333428	1
23	Cabinet	012022060007P	012022060007P	012022060012P	1
24	Front Grill	200057060007	200057060007	200057060013	1
25	Drainage Joint(ODU)	26113009	26113009	26113009	1
26	Left Side Plate	012055060256P	012055060256P	012055060342P	1
27	Clapboard	017021060544	017021060544	017021060544	1
28	Electric Box Assy	100002069939	100002070042	100002072390	1
29	Electric Box	200013060073	200013060073	20001306007301	1
30	Main Board	300027061312	300027061355	300027061799	1
31	Electric Box Cover	200082060058	200082060058	200082060058	1
32	Terminal Board	422000060016	422000060016	422000060075	1
33	Temperature Sensor	3900030907	3900030907	3900030907	1
34	Radiator	430034060108	430034060108	430034060108	1
35	Connecting Cable	400205403	400205403	400205401	0

Above data is subject to change without notice.

No.	Description	Part Code		Qty
		GWH09AGB-K6DNA1B/O	GWH12AGC-K6DNA1A/O	
	Product Code	CB385W02300	CB385W02400	
1	Coping	01204906008701P	01204906008701P	1
2	Supporting Board(Condenser)	012072061032	012072061032	1
3	4-Way Valve	430004022	430004022	1
4	Sponge(Condenser)	1212309101	1212309101	1
5	Temperature Sensor Support	24213042	24213042	1
6	Condenser Assy	011002061456	011002061317	1
7	Capillary Sub-assy	030006060901	030006060915	1
8	Sensor Insert	42020063	42020063	1
9	Right Side Plate	01205606031101P	01205606031101P	1
10	Earthing Plate Sub-assy	012002060009	012002060009	1
11	Wire Clamp	71010103	71010103	1
12	Handle Assy	000223000006	000223000006	1
13	Silencer	07243067	07243067	1
14	Cut-off valve 1/4(N)	07000106001501	07000106001501	1
15	Cut-off valve 3/8(N)	07000106001401	07000106001401	1
16	Valve Support	012044060018P	012044060018P	1
17	4-Way Valve Assy	030152060486	030152060486	1
18	Compressor and Fittings	009001060484	009001060497	1
19	Chassis Sub-assy	017000060511P	017000060511P	1
20	Motor Support	01204806011103	01204806011103	1
21	Brushless DC Motor	1501308517	1501308517	1
22	Axial Flow Fan	10333428	10333428	1
23	Cabinet	012022060007P	012022060007P	1
24	Front Grill	200057060007	200057060007	1
25	Drainage Joint(ODU)	26113009	26113009	1
26	Left Side Plate	012055060256P	012055060256P	1
27	Clapboard	017021060544	017021060544	1
28	Electric Box Assy	100002070249	100002070121	1
29	Electric Box	200013060073	200013060073	1
30	Main Board	300027061312	300027061376	1
31	Electric Box Cover	200082060058	200082060058	1
32	Terminal Board	422000060016	422000060016	1
33	Temperature Sensor	3900030907	3900030907	1
34	Radiator	430034060108	430034060108	1
35	Connecting Cable	400205403	40020540	0

Above data is subject to change without notice.

GWH18AGD-K6DNA1A/O

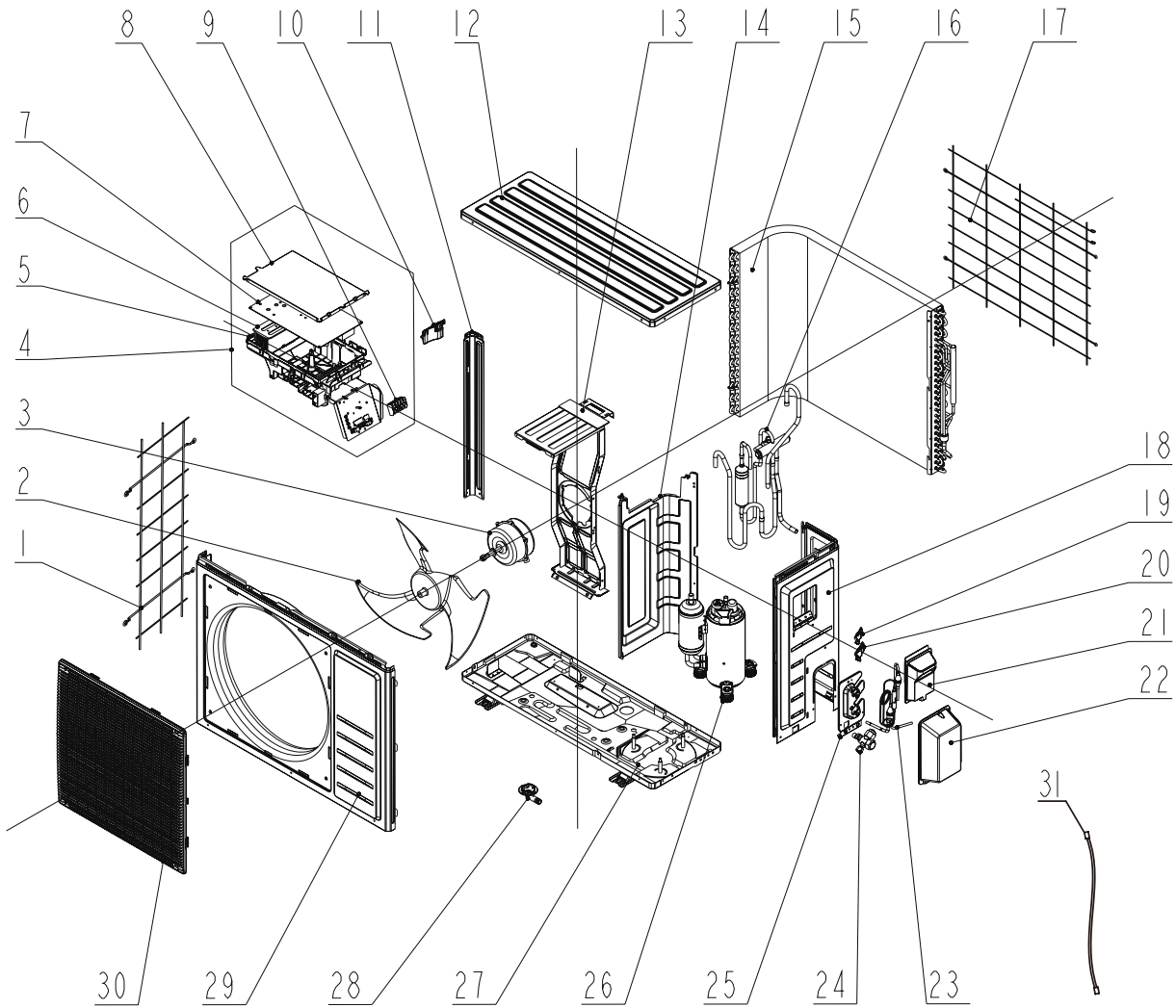


The component picture is only for reference; please refer to the actual product.

No.	Description	Part Code	Qty
		GWH18AGD-K6DNA1A/O	
	Product Code	CB385W01900	
1	Handle	2623343106	1
2	Supporting Board	01173194	1
3	Brushless DC Motor	1501308507	1
4	Motor Support	01703136	1
5	Condenser Assy	011002061373	1
6	Coping	01253107P	1
7	Rear Grill	01475014	1
8	Clapboard Sub-Assy	01233180	1
9	Compressor and Fittings	009001060472	1
10	Compressor Gasket	009012000027	3
11	4-Way Valve Assy	030152060500	1
12	Big Handle	2623343106	1
13	Cut off Valve Sub-Assy	03005700067	1
14	Cut off Valve Assy	07133691	1
15	Valve Support	0171314201P	2
16	Front Grill	22413047	1
17	Cabinet	01433033P	1
18	Axial Flow Fan	10333011	1
19	Chassis Sub-assy	01700006008301	1
20	Electric Box Assy	100002069960	1
21	Electric Box	20113034	1
22	Filter Board	/	/
23	Main Board	300027061373	1
24	Reactor	43130184	1
25	Wire Clamp	71010103	1
26	Terminal Board	422000060016	1
27	Capillary Sub-assy	030006060942	1
28	Valve Cover	22243006	1
29	Connecting Cable	400205401	0

Above data is subject to change without notice.

GWH24AGD-K6DNA1A/O

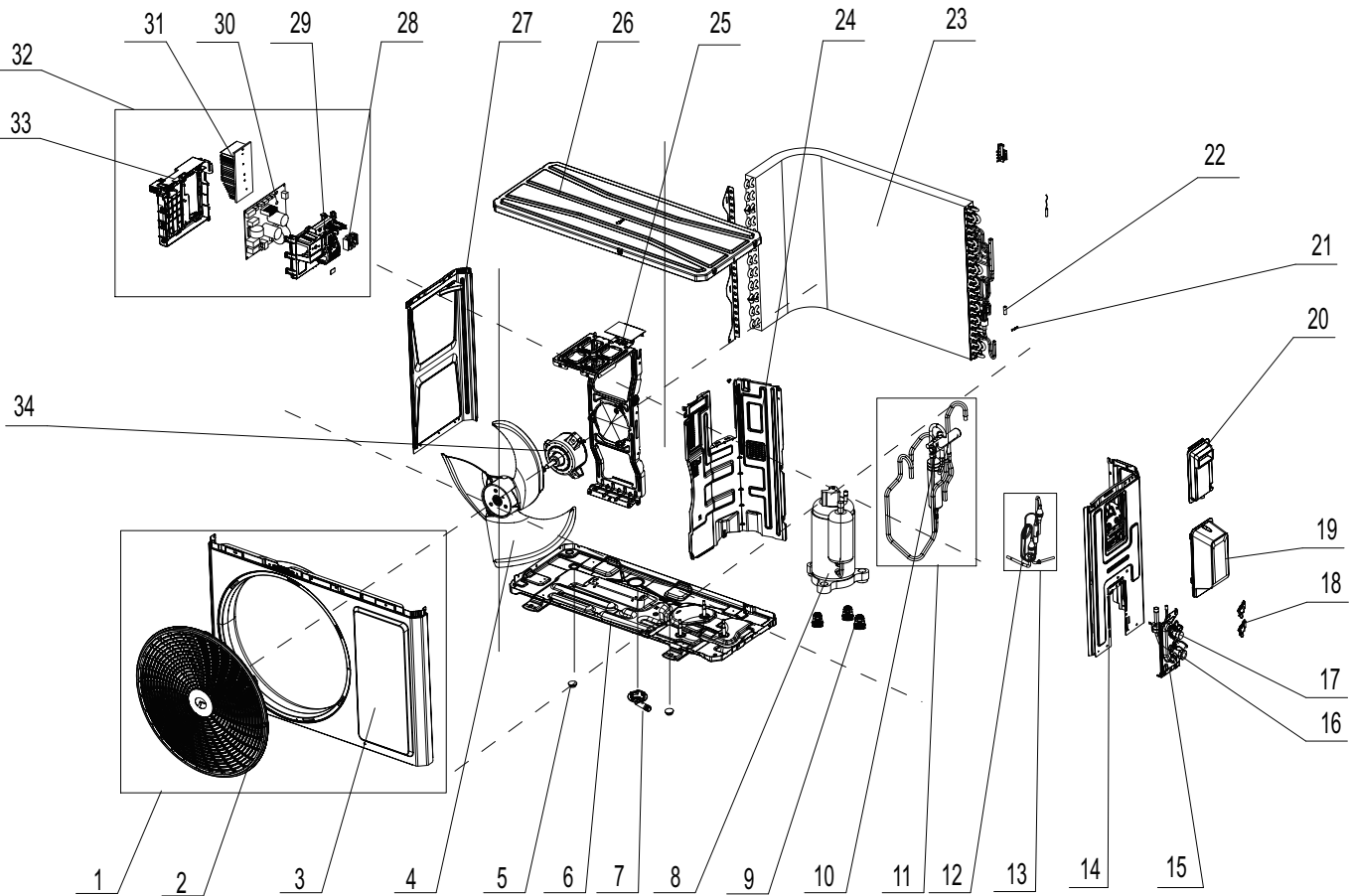


The component is only for reference; please refer to the actual product.

NO.	Description	Part Code	Qty
		GWH24AGD-K6DNA1A/O	
	Product Code	CB385W01500	
1	Rear Grill	016001000023	1
2	Axial Flow Fan	10333023	1
3	Fan Motor	1501506406	1
4	Electric Box Assy	100002069968	1
5	Electric Box	20113027	1
6	Radiator	49010252	1
7	Main Board	300027061230	1
8	Electric Box Cover	20123028	1
9	Terminal Board	422000060009	1
10	Handle	26233013	1
11	Left Side Plate	01303025	1
12	Coping	01253105	1
13	Motor Support	01703245	1
14	Clapboard Sub-Assy	017021000063	1
15	Condenser Assy	011002061404	1
16	4-Way Valve Assy	030152060609	1
17	Rear Grill	016001000023	1
18	Right Side Plate Assy	000081000021	1
19	Valve Support Block	26113017	1
20	Valve Support Block 1	/	/
21	Handle	26233013	1
22	Valve Cover	22243015	1
23	Capillary Sub-assy	030006060967	1
24	Cut-off valve 5/8(N)	07130239	1
25	Valve Support	01703248	1
26	Compressor and Fittings	009001060516	1
27	Chassis	01213080	1
28	Drainage Joint	26113009	1
29	Cabinet	01433072	1
30	Front Grill	200057000007	1
31	Connecting Cable	400205401	0

Above data is subject to change without notice.

GWH24AGD-K6DNA1C/O




The component is only for reference; please refer to the actual product.

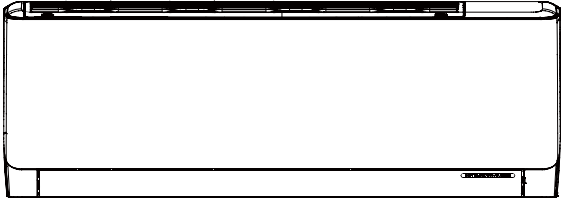
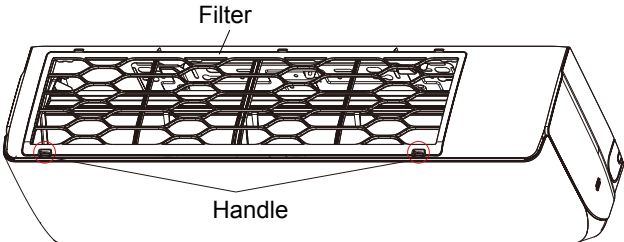
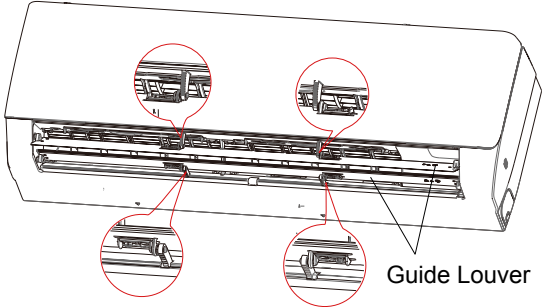
NO.	Description	Part Code	Qty
		GWH24AGD-K6DNA1C/O	
	Product Code	CB385W08600	
1	Front Panel Assy	000003060525	1
2	Front grill	200057060018	1
3	Front Panel	012022060011	1
4	Axial Flow Fan	10333014	1
5	Drainage hole Cap	76711012	1
6	Chassis Sub-assy	017000060596P	1
7	Drainage Joint	26113009	1
8	Compressor and Fittings	009001060617	1
9	Compressor Gasket	009033060003	1
10	4-Way Valve	430004032	1
11	4-Way Valve Assy	030152060611	1
12	Capillary Tube	035097078022	1
13	Capillary Tube assy	030006061207	1
14	Right Side Plate Assy	012056060368	1
15	Valve Support	012044060023P	1
16	Cut-off valve 1/2(N)	070001060024	1
17	Cut-off valve 1/4(N)	070001060022	1
18	Valve Support Block	26113017	1
19	Valve Cover	200087060005	1
20	handle	200149060023	1
21	Sensor Insert	42020063	1
22	Temp Sensor Sleeving	05212423	1
23	Condenser Assy	011002061459	1
24	Clapboard Sub-Assy	000075060125	1
25	Motor Support Sub	000046060104	1
26	Top Cover Sub-Assy	000097060315	1
27	Left Side Plate	012055060340P	1
28	Terminal Board	422000060075	1
29	Electric Box Cover	/	/
30	Main Board	300027061791	1
31	Radiator	430034060118	1
32	Electric Box Assy	100002072298	1
33	Electric Box	017007062683	1
34	Brushless DC Motor	150104060085	1

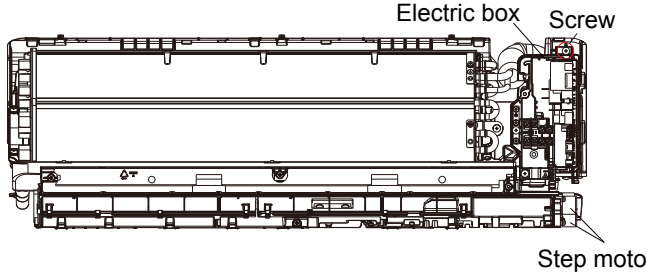
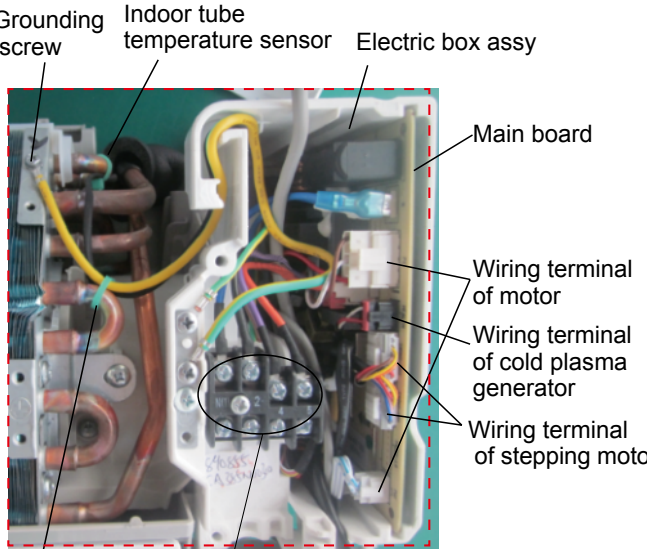
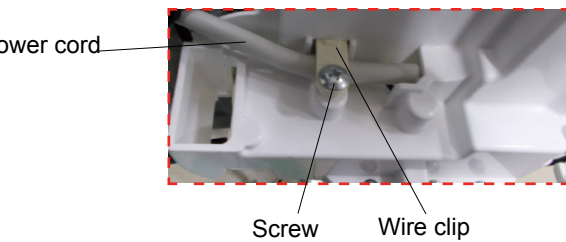

Above data is subject to change without notice.

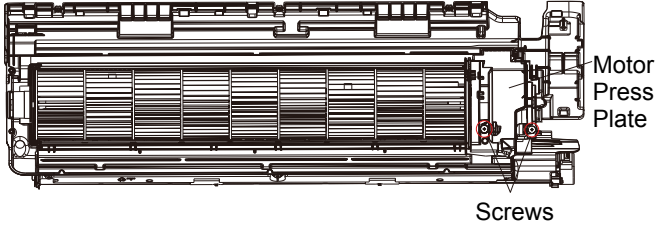
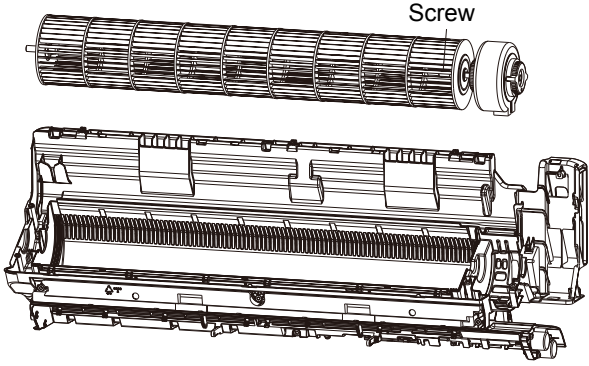
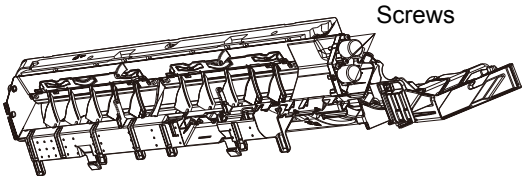
11. Removal Procedure

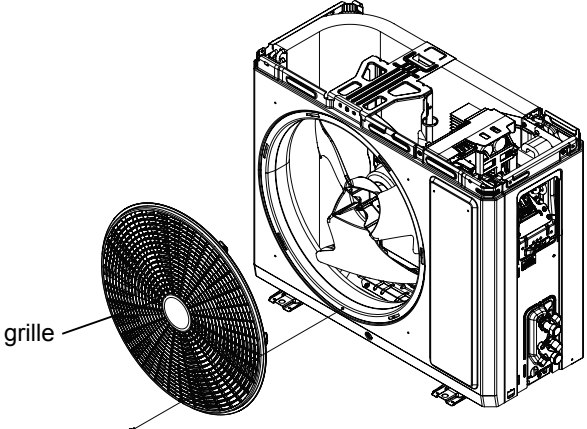
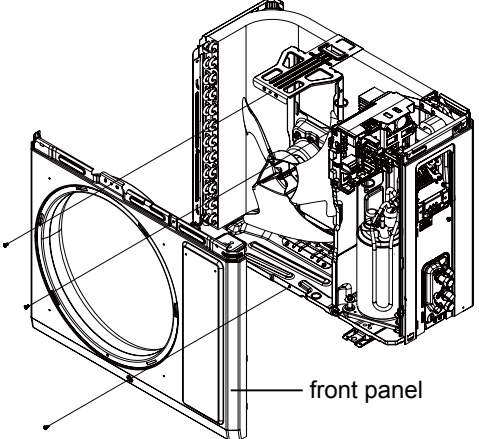
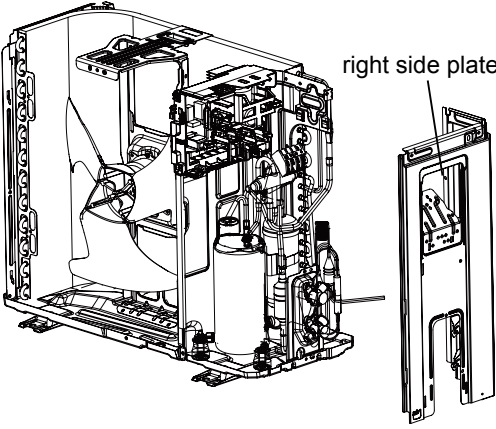
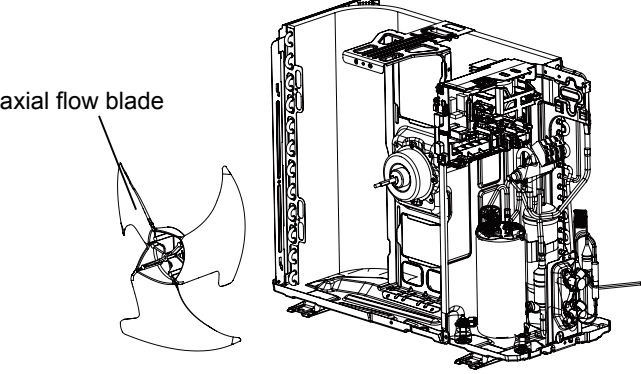
 **Caution: discharge the refrigerant completely before removal.**

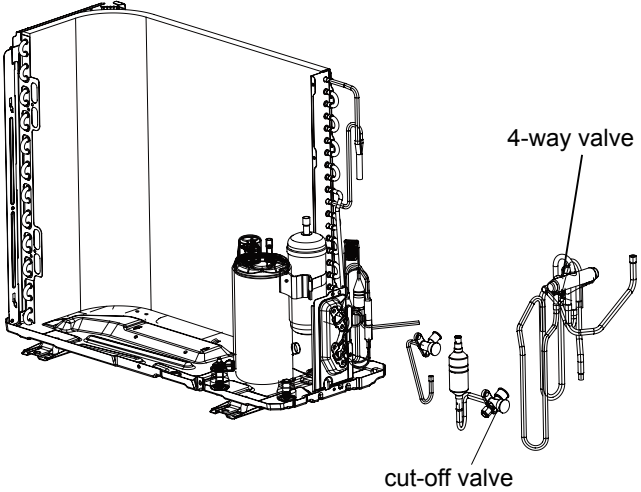
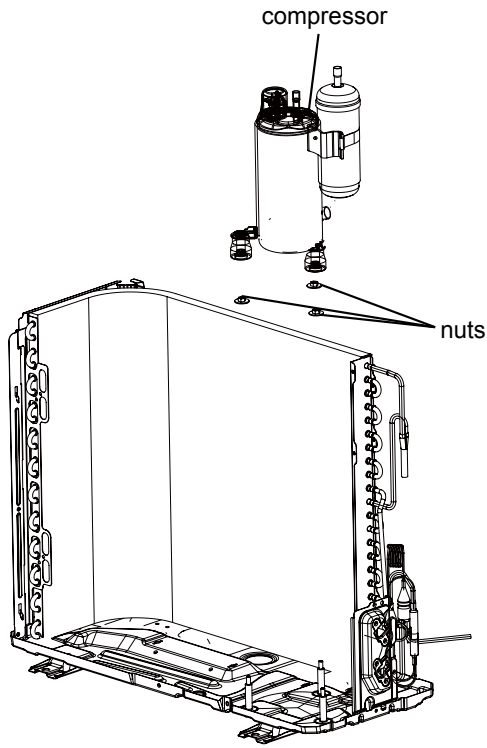
11.1 Removal Procedure of Indoor Unit

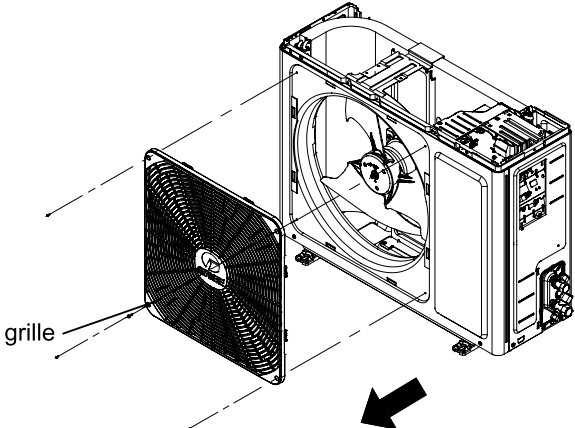
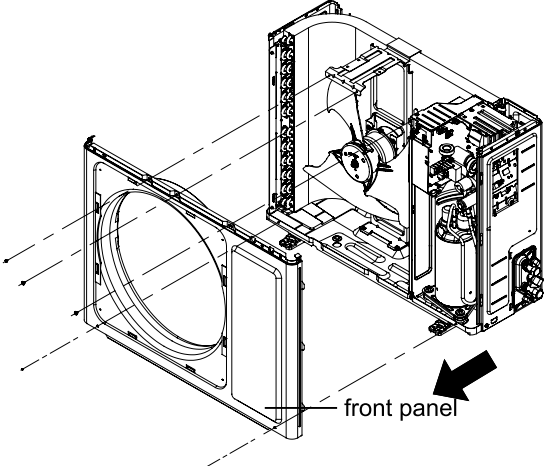
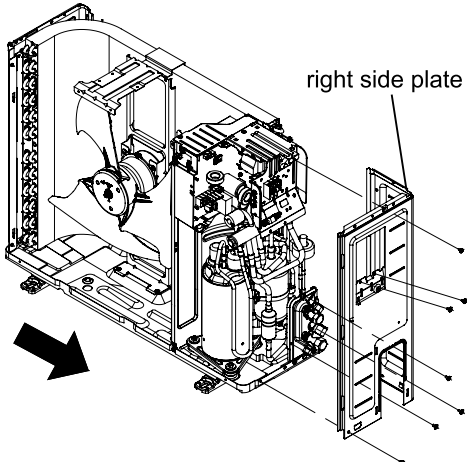
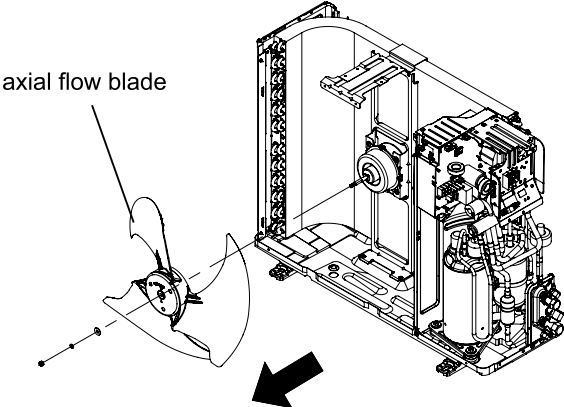
Step	Procedure	Procedure
Before disassemble		
	Turn off the air conditioner and disconnect the power before disassemble the air conditioner.	
1. Remove filter		
	Hold the handle on the filter, pull it upwards to let the clasp at the top part of the filter loose, push it forwards and then the filter can be pulled out.	
2. Remove upper and lower guide louver		
	Push out the plug pin on upper and lower guide louver, Bend the guide louver with hand and then separate the guide louver from the crank shaft of step motor to remove it.	

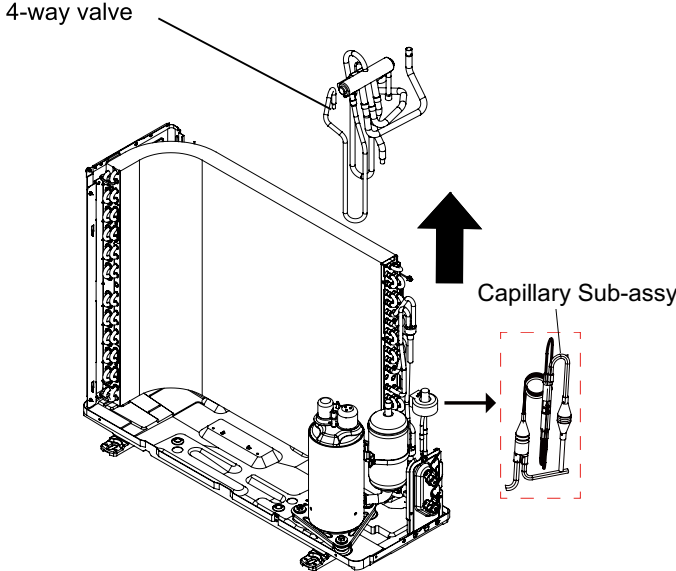
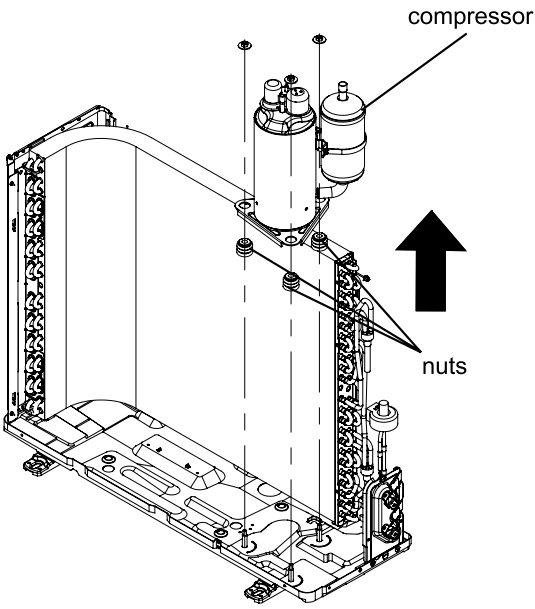
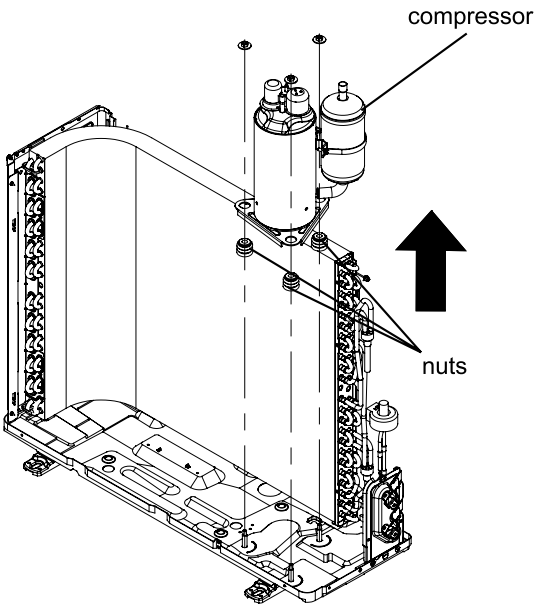
Step	Procedure
6.Remove electric box assy	
a	<p>Remove the screw fixing electric box assy.</p> 
b	<p>① Cut off the wire binder and pull out the indoor tube temperature sensor. ② Screw off one grounding screw. ③ Remove the wiring terminals of motor, cold plasma generator and stepping motor. ④ Remove the electric box assy. ⑤ Screw off the screws that are locking each.</p> 
c	<p>Rotate the electric box assy. Twist off the screws that are locking the wire clip and loosen the power cord. Remove the wiring terminal of power cord. Lift up the main board and take it off.</p> <p>Instruction:Some wiring terminal of this products is with lock catch and other devices.The pulling method is as below: 1.Remove the soft sheath for some terminals at first, hold the circlip and then pull out the terminals, 2.Pull out the holder for some terminals at first(holder is not available for some wiring terminal).hold the connector and then pull the terminal.</p>  

Step	Procedure	
8. Remove motor and cross flow fan		
a	Remove 3 screws fixing motor clamp and then remove the motor clamp.	
b	Loose the screws (2-3 circles) used for fixing the cross flow fan, pull right to pull out the motor.	
9. Remove swing motor		
	Screw off the screws that are locking the swing motor and take the motor off.	

Steps	Procedure
<p>4. Remove grille</p>	<p>Remove connection screws between the front grille and the front panel. Then remove the grille.</p>  <p>grille</p>
<p>5. Remove front panel</p>	<p>Remove connection screws connecting the front panel with the chassis and the motor support and then remove the front panel.</p>  <p>front panel</p>
<p>6. Remove right side plate</p>	<p>Remove connection screws connecting the right side plate with the valve support and the electric box. Then remove the right side plate.</p>  <p>right side plate</p>
<p>7. Remove axial flow blade</p>	<p>Remove the nut on the blade and then remove the axial flow blade.</p>  <p>axial flow blade</p>

Steps	Procedure	
11. Remove compressor		
a	<p>Unsolder the welding joint connecting the capillary, valves and the outlet pipe of condenser to remove the capillary. Do not block the capillary with welding slag during unsoldering.</p>	
b	<p>Remove the 2 screws fixing the gas valve and unsolder the welding joint between the gas valve and the air-return pipe to remove the gas valve. (NOTE: Discharge the refrigerant completely before unsoldering; when unsoldering, wrap the gas valve with a wet cloth completely to avoid damage to the valve caused by high temperature). Remove the 2 screws fixing the liquid valve and unsolder the welding joint connecting the liquid valve to the Y-type pipe to remove the liquid valve.</p>	
c	<p>Unsolder pipes connecting with compressor.</p>	
d	<p>Remove the 3 foot nuts on the compressor and then remove the compressor.</p>	

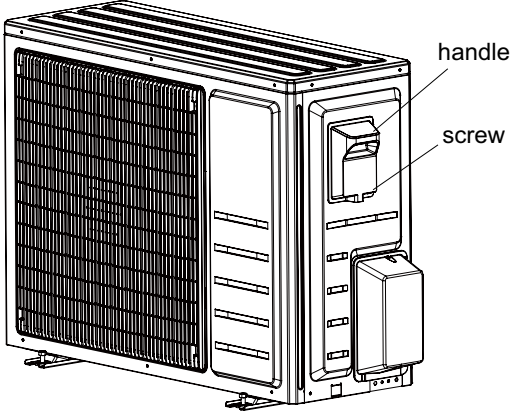
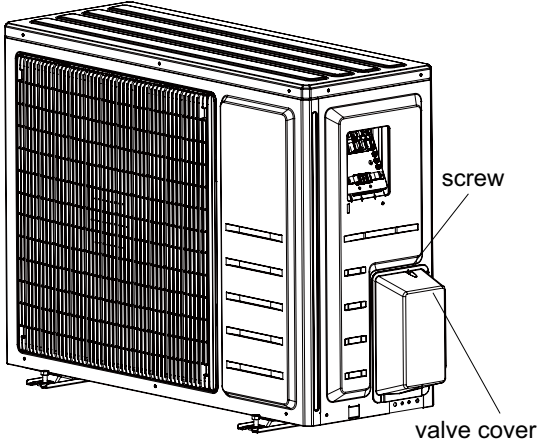
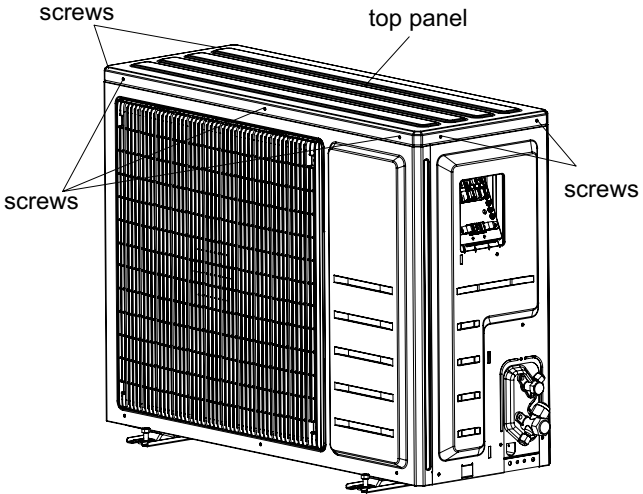
Steps	Procedure	
<p>4.Remove grille</p>	<p>Remove connection screws between the front grille and the front panel. Then remove the grille.</p>	
<p>5. Remove front panel</p>	<p>Remove connection screws connecting the front panel with the chassis and the motor support and then remove the front panel.</p>	
<p>6. Remove right side plate</p>	<p>Remove connection screws connecting the right side plate with the valve support and the electric box. Then remove the right side plate.</p>	
<p>7. Remove axial flow blade</p>	<p>Remove the nut on the blade and then remove the axial flow blade.</p>	

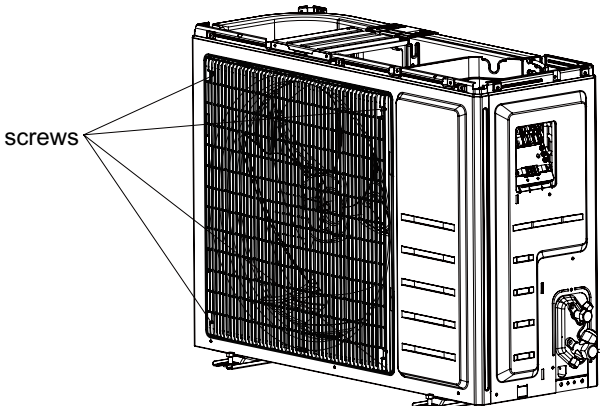
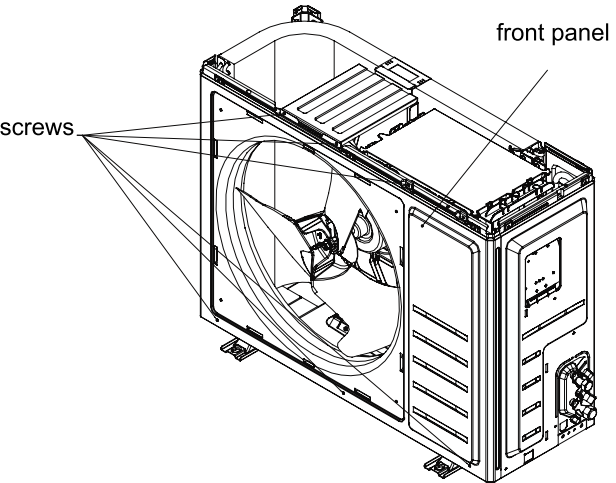
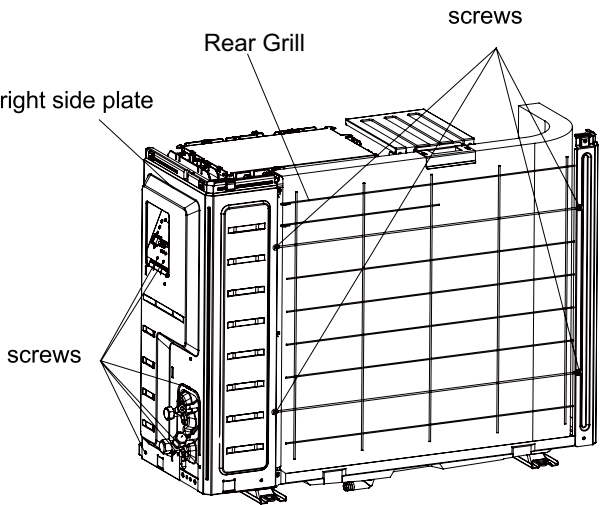
Steps	Procedure	
b	<p>Remove the 2 screws fixing the gas valve and unsolder the welding joint between the gas valve and the air-return pipe to remove the gas valve. (NOTE: Discharge the refrigerant completely before unsoldering; when unsoldering, wrap the gas valve with a wet cloth completely to avoid damage to the valve caused by high temperature).</p> <p>Remove the 2 screws fixing the liquid valve and unsolder the welding joint connecting the liquid valve to the Y-type pipe to remove the liquid valve.</p>	
c	<p>Unsolder pipes connecting with compressor.</p>	
d	<p>Remove the 3 foot nuts on the compressor and then remove the compressor.</p>	

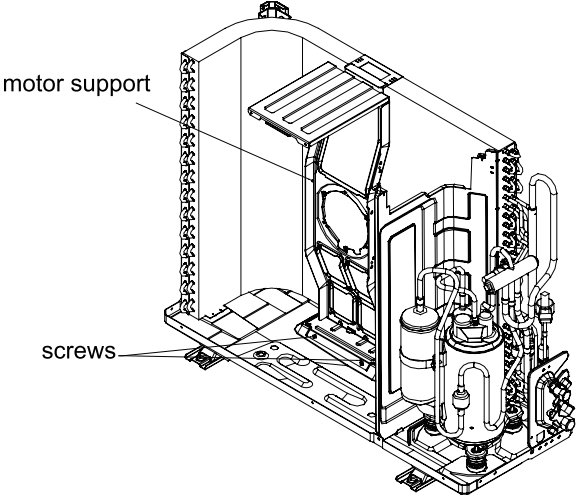
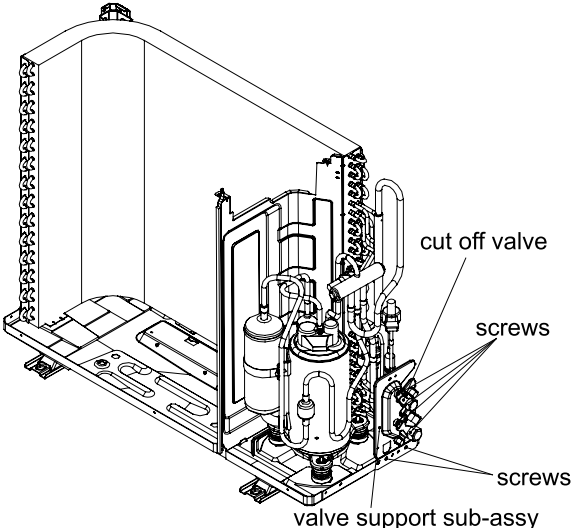
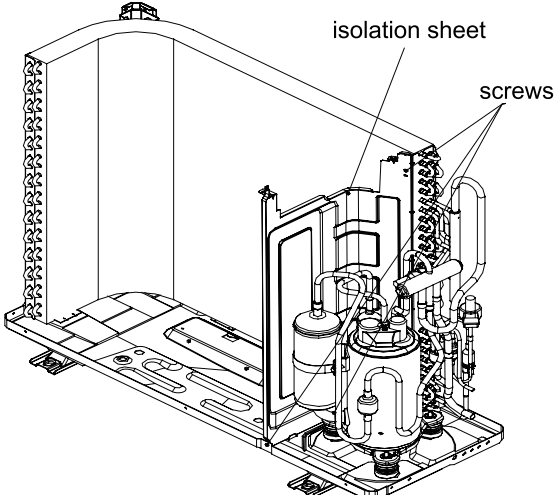


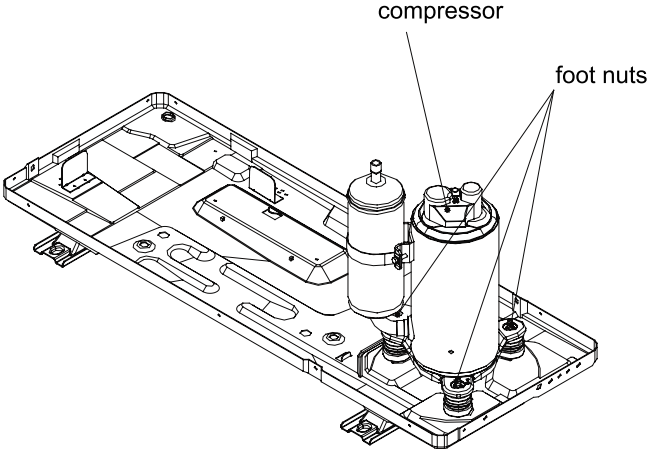
Warning: Be sure to wait for a minimum of 20 minutes after turning off all power supplies and discharge the refrigerant completely before removal.

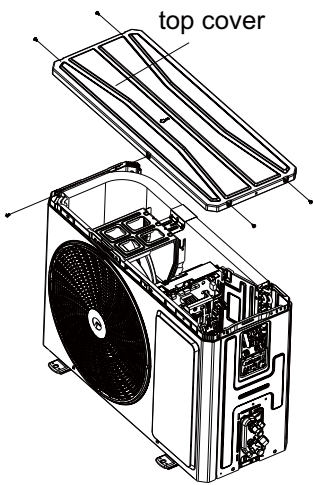
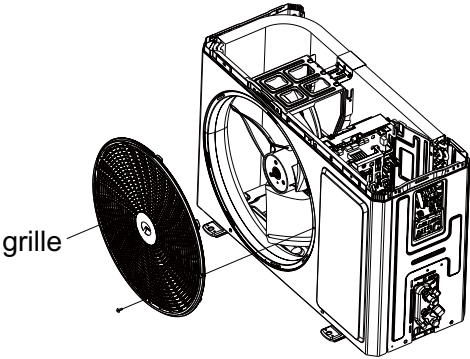
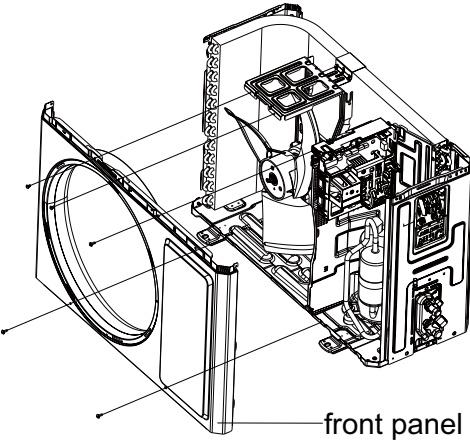
GWH24AGD-K6DNA1A/O

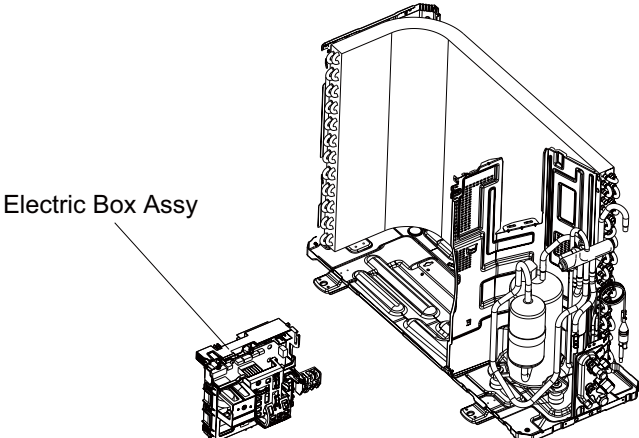
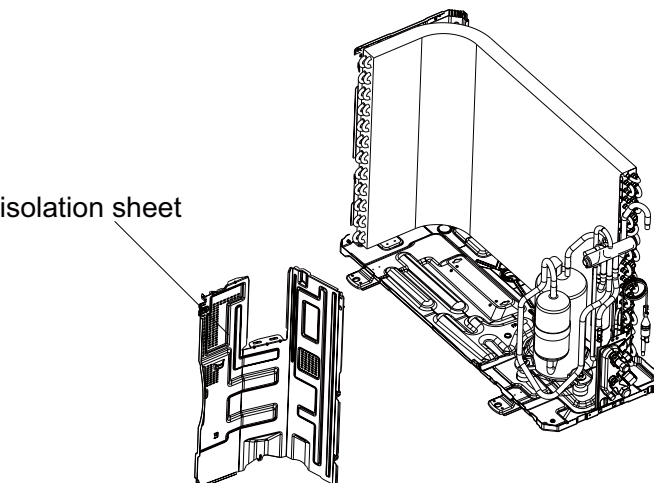
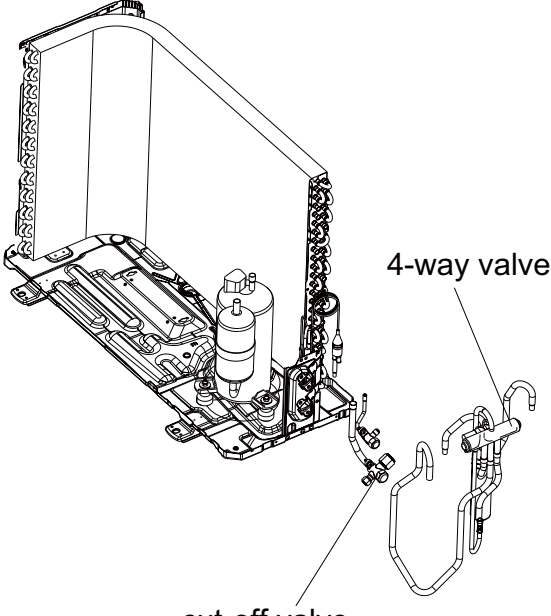
Step	Procedure
1. Remove handle	
	<p>Remove the screw fixing the handle and then remove the handle.</p> 
2. Remove valve cover	
	<p>Remove the screw fixing the valve cover and then remove the valve cover.</p> 
3. Remove top panel	
	<p>Remove the screws fixing the top panel and then remove the top panel.</p> 

Steps	Procedure	
4. Remove grille	Remove the screws fixing the grille and then remove the panel grille.	
5. Remove front panel	Remove screws fixing the front panel and then remove the front panel.	
6. Remove right side plate	Remove screws fixing connecting the front panel with the chassis and the motor support, and then remove the right side plate.	

Steps	Procedure
<p>10. Remove motor support</p>	<p>Remove screws fixing the motor support and then remove the motor support.</p> 
<p>11. Remove cut off valve and valve support sub-assy</p>	<p>Remove screws fixing the cut off valve and then remove the cut off valve; Remove screws fixing the valve support sub-assy and then remove the valve support sub-assy.</p> <p>Note: When pulling out the wiring terminal, pay attention to loose the clasp and don't pull it so hard.</p> 
<p>12. Remove isolation sheet</p>	<p>Remove the screws fixing the isolation sheet and then remove the isolation sheet.</p> 

Steps	Procedure
16. Remove compressor	
	<p data-bbox="240 323 699 384">Remove the 3 foot nuts on the compressor and then remove the compressor.</p> 

Steps	Procedure	
<p>4. Remove top cover</p>	<p>Remove connection screws connecting the top panel with the front panel and the right side plate, and then remove the top panel.</p>	 <p>top cover</p>
<p>5. Remove grille</p>	<p>Remove connection screws between the front grille and the front panel. Then remove the grille.</p>	 <p>grille</p>
<p>6. Remove front panel</p>	<p>Remove connection screws connecting the front panel with the chassis and the motor support and then remove the front panel.</p>	 <p>front panel</p>

Step	Procedure	
<p>10.Remove Electric Box Assy</p>	<p>Remove screws fixing the electric box subassembly; loosen the wire bundle and unplug the wiring terminals. Then lift the electric box to remove it.</p>	 <p>Electric Box Assy</p>
<p>11. Remove isolation sheet</p>	<p>Remove the screws fixing the isolation sheet and then remove the isolation sheet.</p>	 <p>isolation sheet</p>
<p>12.Remove compressor</p>	<p>a Unsolder the welding joint connecting the capillary, valves and the outlet pipe of condenser to remove the capillary. Do not block the capillary with welding slag during unsoldering.</p> <p>b Unsolder the welding joint connecting the capillary, valves and the outlet pipe of condenser to remove the capillary. Do not block the capillary with welding slag during unsoldering.</p>	 <p>4-way valve</p> <p>cut-off valve</p>

Appendix:

Appendix 1: Reference Sheet of Celsius and Fahrenheit

Conversion formula for Fahrenheit degree and Celsius degree: $T_f = T_c \times 1.8 + 32$

Set temperature

Fahrenheit display temperature (°F)	Fahrenheit (°F)	Celsius (°C)	Fahrenheit display temperature (°F)	Fahrenheit (°F)	Celsius (°C)	Fahrenheit display temperature (°F)	Fahrenheit (°F)	Celsius (°C)
61	60.8	16	69/70	69.8	21	78/79	78.8	26
62/63	62.6	17	71/72	71.6	22	80/81	80.6	27
64/65	64.4	18	73/74	73.4	23	82/83	82.4	28
66/67	66.2	19	75/76	75.2	24	84/85	84.2	29
68	68	20	77	77	25	86	86	30

Ambient temperature

Fahrenheit display temperature (°F)	Fahrenheit (°F)	Celsius (°C)	Fahrenheit display temperature (°F)	Fahrenheit (°F)	Celsius (°C)	Fahrenheit display temperature (°F)	Fahrenheit (°F)	Celsius (°C)
32/33	32	0	55/56	55.4	13	79/80	78.8	26
34/35	33.8	1	57/58	57.2	14	81	80.6	27
36	35.6	2	59/60	59	15	82/83	82.4	28
37/38	37.4	3	61/62	60.8	16	84/85	84.2	29
39/40	39.2	4	63	62.6	17	86/87	86	30
41/42	41	5	64/65	64.4	18	88/89	87.8	31
43/44	42.8	6	66/67	66.2	19	90	89.6	32
45	44.6	7	68/69	68	20	91/92	91.4	33
46/47	46.4	8	70/71	69.8	21	93/94	93.2	34
48/49	48.2	9	72	71.6	22	95/96	95	35
50/51	50	10	73/74	73.4	23	97/98	96.8	36
52/53	51.8	11	75/76	75.2	24	99	98.6	37
54	53.6	12	77/78	77	25			

Appendix 2: Configuration of Connection Pipe

- Standard length of connection pipe (More details please refer to the specifications)
- Min length of connection pipe For the unit with standard connection pipe of 5m, there is no limitation for them in length of connection pipe. For the unit with standard connection pipe of 7.5m and 8m, the min length of connection pipe is 3m.
- Max length of connection pipe (More details please refer to the specifications)
- The additional refrigerant oil and refrigerant charging required after prolonging connection pipe
 - After the length of connection pipe is prolonged for 10m at the basis of standard length, you should add 5ml of refrigerant oil for each additional 5m of connection pipe.
 - The calculation method of additional refrigerant charging amount (on the basis of liquid pipe):
 - Basing on the length of standard pipe, add refrigerant according to the requirement as shown in the table. The additional refrigerant charging amount per meter is different according to the diameter of liquid pipe. See Sheet 2.
 - Additional refrigerant charging amount = prolonged length of liquid pipe X additional refrigerant charging amount per meter

Additional refrigerant charging amount for R32				
Diameter of connection pipe		Indoor unit throttl	Outdoor unit throttle	
Liquid pipe(inch)	Gas pipe(inch)	Cooling only,cooling and heating(g / m)	Cooling only(g / m)	Cooling and heating(g / m)
1/4"	3/8" or 1/2"	16	12	16
1/4" or 3/8"	5/8" or 3/4"	40	12	40
1/2"	3/4" or 7/8"	80	24	96
5/8"	1" or 1 1/4"	136	48	96
3/4"	/	200	200	200
7/8"	/	280	280	280

Note: The additional refrigerant charging amount in Sheet 2 is recommended value, not compulsory.

Appendix 4: List of Resistance for Temperature Sensor

Resistance Table of Ambient Temperature Sensor for Indoor and Outdoor Units(15K)

Temp(°C)	Resistance(kΩ)	Temp(°C)	Resistance(kΩ)	Temp(°C)	Resistance(kΩ)	Temp(°C)	Resistance(kΩ)
-19	138.1	20	18.75	59	3.848	98	1.071
-18	128.6	21	17.93	60	3.711	99	1.039
-17	121.6	22	17.14	61	3.579	100	1.009
-16	115	23	16.39	62	3.454	101	0.98
-15	108.7	24	15.68	63	3.333	102	0.952
-14	102.9	25	15	64	3.217	103	0.925
-13	97.4	26	14.36	65	3.105	104	0.898
-12	92.22	27	13.74	66	2.998	105	0.873
-11	87.35	28	13.16	67	2.896	106	0.848
-10	82.75	29	12.6	68	2.797	107	0.825
-9	78.43	30	12.07	69	2.702	108	0.802
-8	74.35	31	11.57	70	2.611	109	0.779
-7	70.5	32	11.09	71	2.523	110	0.758
-6	66.88	33	10.63	72	2.439	111	0.737
-5	63.46	34	10.2	73	2.358	112	0.717
-4	60.23	35	9.779	74	2.28	113	0.697
-3	57.18	36	9.382	75	2.206	114	0.678
-2	54.31	37	9.003	76	2.133	115	0.66
-1	51.59	38	8.642	77	2.064	116	0.642
0	49.02	39	8.297	78	1.997	117	0.625
1	46.6	40	7.967	79	1.933	118	0.608
2	44.31	41	7.653	80	1.871	119	0.592
3	42.14	42	7.352	81	1.811	120	0.577
4	40.09	43	7.065	82	1.754	121	0.561
5	38.15	44	6.791	83	1.699	122	0.547
6	36.32	45	6.529	84	1.645	123	0.532
7	34.58	46	6.278	85	1.594	124	0.519
8	32.94	47	6.038	86	1.544	125	0.505
9	31.38	48	5.809	87	1.497	126	0.492
10	29.9	49	5.589	88	1.451	127	0.48
11	28.51	50	5.379	89	1.408	128	0.467
12	27.18	51	5.197	90	1.363	129	0.456
13	25.92	52	4.986	91	1.322	130	0.444
14	24.73	53	4.802	92	1.282	131	0.433
15	23.6	54	4.625	93	1.244	132	0.422
16	22.53	55	4.456	94	1.207	133	0.412
17	21.51	56	4.294	95	1.171	134	0.401
18	20.54	57	4.139	96	1.136	135	0.391
19	19.63	58	3.99	97	1.103	136	0.382

Resistance Table of Tube Temperature Sensors for Outdoor and Indoor(20K)

Temp(°C)	Resistance(kΩ)	Temp(°C)	Resistance(kΩ)	Temp(°C)	Resistance(kΩ)	Temp(°C)	Resistance(kΩ)
-19	181.4	20	25.01	59	5.13	98	1.427
-18	171.4	21	23.9	60	4.948	99	1.386
-17	162.1	22	22.85	61	4.773	100	1.346
-16	153.3	23	21.85	62	4.605	101	1.307
-15	145	24	20.9	63	4.443	102	1.269
-14	137.2	25	20	64	4.289	103	1.233
-13	129.9	26	19.14	65	4.14	104	1.198
-12	123	27	18.13	66	3.998	105	1.164
-11	116.5	28	17.55	67	3.861	106	1.131
-10	110.3	29	16.8	68	3.729	107	1.099
-9	104.6	30	16.1	69	3.603	108	1.069
-8	99.13	31	15.43	70	3.481	109	1.039
-7	94	32	14.79	71	3.364	110	1.01
-6	89.17	33	14.18	72	3.252	111	0.983
-5	84.61	34	13.59	73	3.144	112	0.956
-4	80.31	35	13.04	74	3.04	113	0.93
-3	76.24	36	12.51	75	2.94	114	0.904
-2	72.41	37	12	76	2.844	115	0.88
-1	68.79	38	11.52	77	2.752	116	0.856
0	65.37	39	11.06	78	2.663	117	0.833
1	62.13	40	10.62	79	2.577	118	0.811
2	59.08	41	10.2	80	2.495	119	0.77
3	56.19	42	9.803	81	2.415	120	0.769
4	53.46	43	9.42	82	2.339	121	0.746
5	50.87	44	9.054	83	2.265	122	0.729
6	48.42	45	8.705	84	2.194	123	0.71
7	46.11	46	8.37	85	2.125	124	0.692
8	43.92	47	8.051	86	2.059	125	0.674
9	41.84	48	7.745	87	1.996	126	0.658
10	39.87	49	7.453	88	1.934	127	0.64
11	38.01	50	7.173	89	1.875	128	0.623
12	36.24	51	6.905	90	1.818	129	0.607
13	34.57	52	6.648	91	1.736	130	0.592
14	32.98	53	6.403	92	1.71	131	0.577
15	31.47	54	6.167	93	1.658	132	0.563
16	30.04	55	5.942	94	1.609	133	0.549
17	28.68	56	5.726	95	1.561	134	0.535
18	27.39	57	5.519	96	1.515	135	0.521
19	26.17	58	5.32	97	1.47	136	0.509

Resistance Table of Discharge Temperature Sensor for Outdoor(50K)

Temp(°C)	Resistance(kΩ)	Temp(°C)	Resistance(kΩ)	Temp(°C)	Resistance(kΩ)	Temp(°C)	Resistance(kΩ)
-29	853.5	10	98	49	18.34	88	4.75
-28	799.8	11	93.42	50	17.65	89	4.61
-27	750	12	89.07	51	16.99	90	4.47
-26	703.8	13	84.95	52	16.36	91	4.33
-25	660.8	14	81.05	53	15.75	92	4.20
-24	620.8	15	77.35	54	15.17	93	4.08
-23	580.6	16	73.83	55	14.62	94	3.96
-22	548.9	17	70.5	56	14.09	95	3.84
-21	516.6	18	67.34	57	13.58	96	3.73
-20	486.5	19	64.33	58	13.09	97	3.62
-19	458.3	20	61.48	59	12.62	98	3.51
-18	432	21	58.77	60	12.17	99	3.41
-17	407.4	22	56.19	61	11.74	100	3.32
-16	384.5	23	53.74	62	11.32	101	3.22
-15	362.9	24	51.41	63	10.93	102	3.13
-14	342.8	25	49.19	64	10.54	103	3.04
-13	323.9	26	47.08	65	10.18	104	2.96
-12	306.2	27	45.07	66	9.83	105	2.87
-11	289.6	28	43.16	67	9.49	106	2.79
-10	274	29	41.34	68	9.17	107	2.72
-9	259.3	30	39.61	69	8.85	108	2.64
-8	245.6	31	37.96	70	8.56	109	2.57
-7	232.6	32	36.38	71	8.27	110	2.50
-6	220.5	33	34.88	72	7.99	111	2.43
-5	209	34	33.45	73	7.73	112	2.37
-4	198.3	35	32.09	74	7.47	113	2.30
-3	199.1	36	30.79	75	7.22	114	2.24
-2	178.5	37	29.54	76	7.00	115	2.18
-1	169.5	38	28.36	77	6.76	116	2.12
0	161	39	27.23	78	6.54	117	2.07
1	153	40	26.15	79	6.33	118	2.02
2	145.4	41	25.11	80	6.13	119	1.96
3	138.3	42	24.13	81	5.93	120	1.91
4	131.5	43	23.19	82	5.75	121	1.86
5	125.1	44	22.29	83	5.57	122	1.82
6	119.1	45	21.43	84	5.39	123	1.77
7	113.4	46	20.6	85	5.22	124	1.73
8	108	47	19.81	86	5.06	125	1.68
9	102.8	48	19.06	87	4.90	126	1.64



JF00304392



GREE ELECTRIC APPLIANCES, INC. OF ZHUHAI

Add: West Jinji Rd, Qianshan, Zhuhai, Guangdong, China, 519070

Tel: (+86-756) 8522219

Fax: (+86-756) 8669426

E-mail: global@cn.gree.com www.gree.com

For product improvement, specifications and appearance in this manual are subject to change without prior notice.